



BY APPOINTMENT
MOTOR CAR MANUFACTURERS TO
THE LATE KING GEORGE VI

LANCHESTER

"Leda"

MODELS: L.J.200-R.H.D. and L.J.201-L.H.D.

SERVICE PARTS Catalogue

Issued by

THE LANCHESTER MOTOR COMPANY LIMITED
COVENTRY · ENGLAND

224.12
sys.nr. 1472

THE LANCHESTER "LEDA" SERVICE PARTS CATALOGUE

Service Parts Catalogue

FOR THE

LANCHESTER "LEDA"

MODELS

LJ200 - RIGHT HAND DRIVE

LJ201 - LEFT HAND DRIVE

Chassis Nos.

COMMENCING 65006

Assembly Lists

620-3 - RIGHT HAND DRIVE

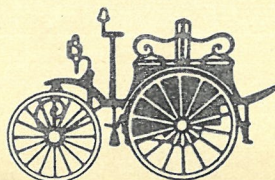
620-4 - LEFT HAND DRIVE

Price 25/- each



BY APPOINTMENT
MOTOR CAR MANUFACTURERS TO
THE LATE KING GEORGE VI

THE LANCHESTER MOTOR COMPANY LIMITED
COVENTRY · ENGLAND



DANSK VETERANBIL KLUB

THE LANCHESTER MOTOR COMPANY LIMITED
COVENTRY · ENGLAND

Service and Parts Department

RADFORD, COVENTRY

Phone: Coventry 5588 Grams and Cables: "Motivity, Coventry, England"

London Depot

DAIMLER HOUSE

290 WILLESDEN LANE, N.W.2

Phone: Willesden 1281 Grams: "Daimladepo, Willesden, London"

Edinburgh Depot

DAIMLER HOUSE

3-7 CORSTORPHINE ROAD, MURRAYFIELD

Phone: Edinburgh 63981/2 Grams: "Daimler, Edinburgh"

Leeds Depot

OLD LEEDS FORGE SITE, ARMLEY ROAD

Phone: Leeds 27417/8 Grams: "Daimler, Leeds"

Manchester Depot

WILMSLOW ROAD, RUSHOLME

Phone: Rusholme 2205 Grams: "Daimler, Manchester"

Newcastle Depot

PARK ROAD, WHITLEY BAY

Phone: Whitley 22321/2 Grams: "Daimler, Whitley Bay"

INTRODUCTION

This catalogue of service parts is compiled in sections, each section referring to separate components, such as the engine, the gearbox, the rear axle, frame and fittings, etc. For the convenience of customers the text of this catalogue has been arranged as follows :—

Under each main assembly heading, the first item quoted is the main assembly itself. Then immediately below and indented to the right are listed the sub-assemblies and/or detail parts forming its composition. Where sub-assemblies are quoted, the detail parts of these are listed immediately below and further indented to the right. When a main assembly is ordered, it will be supplied automatically with all items given below it and indented. Similarly when a sub-assembly is ordered, this in turn will be supplied automatically with all items given below it and further indented. Individual parts quoted are in themselves available as separate items, except where specially stated. A complete index of individual parts will be found on pages 5 to 7.

Parts which are fitted only to Right Hand Drive Models are endorsed " R.H.D. ONLY " whilst those fitted only to Left Hand Drive Models are endorsed " L.H.D. ONLY." Where no such endorsement is made, it may be assumed that the parts are common to both models. Certain parts which have been designed for use in particular countries only, are endorsed accordingly.

INSTRUCTIONS FOR ORDERING

When replacement parts are required, the Model Type, Chassis Number, Part Number, Description of Parts and quantity required should be quoted on customer's order. In the case of engine parts the Engine Number should also be quoted.

MODEL TYPE AND CHASSIS NUMBER. These are stamped on a plate affixed to the right hand frame side member, in a position slightly forward of the dash.

ENGINE NUMBER. This is stamped on the petrol pump mounting boss.

Note. For ease of reference, particulars of the above are included on an additional plate affixed to the engine side of the dash (right hand side).

PART NUMBER. Wherever practicable all individual parts are marked with the appropriate part number.

Certain items (e.g. wings, mounting brackets, door handles) are endorsed "right hand" or "left hand". These terms are used to locate the position of the items when fitted to the car. This position may most easily be determined when a view is taken from the rear of the vehicle, looking in a forward direction. That is to say, in the case of a Right Hand Drive Model, the driver's side is considered the right hand side, and in the case of a Left Hand Drive Model, the driver's side is considered the left hand side. It is particularly requested that this may be borne in mind when ordering parts of the nature quoted above.

When orders are submitted by telephone or telegram they should, if possible, be confirmed by post, the covering written order being clearly marked "Confirmation" to obviate the possibility of duplication.

It is requested that wherever possible, private owners order replacement parts from the nearest Lanchester distributor or dealer, who will supply them with genuine Lanchester factory replacements. Names and addresses of distributors and dealers will be supplied on request.

The Manufacturers reserve the right to alter any part as may be considered advantageous, but by following the above instructions when ordering, replacement parts of a suitable nature will be supplied.

EXAMPLES OF ORDERS

- (i) One Radiator Drain Tap, 422505/11, for Lanchester Model Type LJ.200, Chassis Number L.65250.
- (ii) One Steering Arm (right hand), 303707, for Lanchester Model Type LJ.201, Chassis Number L.66250.

INSTRUCTIONS POUR LES COMMANDES DE PIÈCES

Les clients qui désirent se procurer des pièces de rechange doivent mentionner sur leur commande le Type du Modèle, le Numéro du Châssis, le Numéro de la Pièce, la description et la quantité des pièces requises. Indiquer le Numéro du Moteur pour les pièces de rechange du moteur.

TYPE DU MODELE ET NUMERO DU CHASSIS. Ceux-ci sont poinçonnés sur une plaque fixée sur le longeron droit du châssis, un peu en avant du tablier.

NUMERO DU MOTEUR. Il est poinçonné sur le bossage où est montée la pompe à essence.

Nota. Pour plus de facilité, les renseignements ci-dessus sont indiqués sur une plaque fixée sur le côté droit du tablier, côté moteur.

NUMERO DE PIECE. Toutes les fois qu'il est possible, chaque pièce est marquée de son numéro propre.

Certaines pièces (par exemple les ailes, certains supports de montage, les poignées de portes) sont marquées "Droite" ou "Gauche" ("Right Hand" ou "Left Hand"). Cette indication concerne le côté de la voiture où est montée la pièce. Il est très facile de déterminer cette position si, se plaçant à l'intérieur de la voiture, on regarde vers l'avant. Pour un modèle avec Direction à Droite, le côté droit est celui du conducteur; pour une voiture avec Direction à Gauche, le côté du conducteur est le côté gauche. Ne pas oublier ceci lorsqu'on commande des pièces qui ont "un côté".

Autant que possible, les commandes par téléphone ou par télégramme doivent être confirmées par lettre; cette lettre portera la mention "Confirmation" pour éviter les risques de répétition.

Dans la mesure du possible, les commandes des clients doivent être adressées au Distributeur ou Agent Lanchester le plus proche, lequel fournira les pièces d'origine en provenance des Usines Lanchester. On peut obtenir sur demande les noms et adresses des Distributeurs et Agents Lanchester.

Les fabricants se réservent le droit de modifier toute pièce si cela constitue une amélioration; de toutes façons, les pièces correctes seront envoyées si l'on se conforme aux instructions données ci-dessus.

EXEMPLE DE COMMANDE

1—Un Bouchon de Vidange de Radiateur, 422505/11, pour Lanchester Modèle LJ.200, Numéro de Châssis L.65250.

2—Un bras de Direction (Droit), 303707, pour Lanchester Modèle LJ.201, Numéro de Châssis L.66250.

BESTELLUNGSANWEISUNGEN

Bei Bestellung von Ersatzteilen muss der Auftrag folgende Angaben enthalten: Fahrzeugmodell, Fahrgestellnummer, Ersatzteilnummer, Beschreibung der Ersatzteile und benötigte Menge. Im Falle von Motorersatzteilen muss auch die Motornummer angegeben werden.

FAHRZEUGMODELL UND FAHRGESTELLNUMMER. Diese Angaben sind auf einem Schild eingestanz, der am Längsträger des Rahmens, etwas weiter vorwärts als die Stirnwand, befestigt ist.

MOTORNUMMER. Diese ist auf dem Einbauansatz der Kraftstoffpumpe eingeschlagen.

Anmerkung: Zur Erleichterung sind Angaben über obige Einzelheiten auch in einem zusätzlichen Schild enthalten, das an der Motorseite der Stirnwand (rechts) befestigt ist.

ERSATZTEILNUMMER. Jedes Einzelteil ist, soweit möglich, mit der entsprechenden Ersatzteilnummer versehen.

Manche Teile (z.B. Kotflügel, gewisse Träger, Türgriffe) sind "Rechts" oder "Links" markiert. Diese Angabe bezeichnet die Lage im Fahrzeug des eingebauten Einzelteiles. "Rechts" und "links" am Wagen kann man am leichtesten wie folgt feststellen: wenn man, hinter dem Fahrzeug stehend, nach vorne blickt, so ist bei rechtsgesteuerten Wagen die Führerseite als "rechts" zu betrachten; bei Linkssteuerung hingegen ist die Führerseite die linke Seite. Man wird gebeten, diese Bestimmung von "links" und "rechts" bei der Bestellung solcher Teile genau zu beachten.

Telephonisch oder telegraphisch erteilte Aufträge sind, wenn möglich, brieflich zu bestätigen. In solchen Fällen muss der schriftliche Auftrag deutlich mit dem Wort "Bestätigung" bezeichnet werden, um die Möglichkeit einer Doppeleintragung und -Ausführung zu verhindern.

Wagenbesitzer werden gebeten, wenn irgendwie möglich die benötigten Ersatzteile vom nächsten Lanchester-Vertreter oder-Händler zu beziehen, da dadurch die Lieferung echter Original-Lanchesterersatzteile gewährleistet wird. Namen und Adressen von Lanchester-Vertretern und-Händlern werden auf Verlangen mitgeteilt.

Die Herstellerfirma behält sich das Recht vor, Einzelteile jederzeit zwecks Vervollkommnung zu verändern. Wenn bei Bestellung obige Anweisungen befolgt werden, so ist aber gleichwohl in jedem Fall die Lieferung angemessener Ersatzteile sichergestellt.

MUSTERBEISPIELE FÜR AUFTRAGSERTEILUNG

- (I) Ein Stück Kühlerablasstopfen, 422505/11, für Lanchester-Modell Typ Nr. LJ.200, Fahrgestellnummer L.65250.
- (II) Ein Stück Lenkstockhebel (rechts), 303707, für Lanchester-Modell Typ LJ.201, Fahrgestellnummer L.66250.

INSTRUCCIONES PARA PASAR PEDIDOS

Quando se necesiten piezas de repuesto, el pedido del cliente deberá especificar los siguientes detalles: Tipo del Modelo, Número del Chasis, Número de la Pieza, descripción y cantidad de piezas que se necesitan. Si se trata de piezas para el motor se deberá indicar asimismo el Número del Motor.

TIPO DEL MODELO Y NUMERO DEL CHASIS. Estas indicaciones van estampadas en una placa ubicada en el larguero derecho del bastidor, un poco más adelante del salpicadero.

NUMERO DEL MOTOR. Va estampado en el cubo de montaje de la bomba de combustible.

Nota. Para facilitar la identificación, los detalles anteriores se indican también en una placa adicional montada en el salpicadero por el lado del motor (a la derecha).

NUMERO DE LA PIEZA. En todos los casos posibles, cada pieza individual va marcada con el número correspondiente.

Ciertas piezas, (por ejemplo los guardabarros, ciertos soportes de montaje, las manecillas de las puertas) llevan la indicación "Derecha" o "Izquierda". Estas indicaciones se refieren a la posición de las piezas cuando están montadas en el automóvil. Esta posición puede determinarse con facilidad colocándose detrás del vehículo y mirando hacia adelante. En el caso de modelos con volante a la derecha, el lado del conductor es el lado derecho, mientras que en modelos con volante a la izquierda el lado del conductor es el izquierdo. Se ruega muy particularmente tener en cuenta este punto al solicitar piezas de esta clase.

Quando se pasen pedidos por teléfono o por telegrama deberán confirmarse por correo siempre que sea posible. La confirmación por escrito deberá ir claramente marcada con la indicación: "Confirmación", a fin de evitar la posibilidad de repeticiones.

Se ruega que, siempre que sea posible, el propietario del vehículo solicite las piezas de repuesto necesarias del Distribuidor o Agente Lanchester más próximo, que suministrará piezas de repuesto Lanchester originales de fábrica. Previa solicitud se indicarán los nombres y direcciones de los Distribuidores y Agentes Lanchester.

Los fabricantes se reservan el derecho de alterar cualquier pieza en la forma más ventajosa posible. No obstante, y siempre que se sigan las instrucciones precedentes al pasar pedido, el suministro de piezas adecuadas quedará asegurado en todos los casos.

MODELOS DE PEDIDOS

- (I) Un Tapón de Purga del Radiador 422505/11, para Modelo Lanchester Tipo LJ.200, Número del Chasis L. 65250.
- (II) Un Brazo de Dirección (Lado Derecho), 303707, para Modelo Lanchester Tipo LJ.201 Número del Chasis L. 66250.

INSTRUÇÕES PARA FAZER ENCOMENDAS

Quando são necessárias peças sobresselentes, os seguintes detalhes devem ser especificados na nota de encomenda do cliente: Tipo do Modelo, Número do Chassis, Número da Peça, Descrição da Peça e quantidade requerida. No caso de peças do motor o Número do Motor deve ser igualmente indicado.

TIPO DO MODELO E NÚMERO DO CHASSIS. Ambas as indicações estão inscritas numa placa afixada na longarina do lado direito, ligeiramente à frente do tablier.

NÚMERO DO MOTOR. Inscrito no cubo de montagem da bomba de gasolina.

Nota. Para facilitar a referência, estas indicações constam, também, numa placa adicional afixada no tablier pelo lado do motor (ao lado direito).

NÚMERO DA PEÇA. Sempre que tal é possível, todas as peças são marcadas com os seus respectivos números.

Certas peças (e.g., guarda-lama, certos suportes de montagem, puxadores de portas) são indicadas com as referências "Direita" e "Esquerda". Estas referências são usadas para indicar a posição da peça quando instalada no automóvel. Esta posição pode ser muito facilmente determinada, colocando-se atrás do carro e olhando para a frente. Isto quer dizer, no caso de um modelo de volante à direita, o lado do conductor considera-se lado direito, nos modelos de volante à esquerda, o lado do conductor considera-se lado esquerdo. Desejamos acentuar, muito particularmente, que este facto deve ser tido em conta sempre que fôr necessário encomendar peças da natureza indicada.

No caso de encomendas submetidas telefónica ou telegráficamente, estas devem ser, sempre que possível, confirmadas por escrito, marcando a nota de encomenda, muito claramente com a indicação "Confirmação" para evitar possíveis duplicações na execução da encomenda.

Pedimos aos proprietários de carros que, sempre que possível, façam as suas encomendas de sobresselentes no Distribuidor ou Agente Lanchester mais próximo, que estarão em condições de fornecer peças Lanchester genuínas. Podemos fornecer, mediante pedido, nomes e endereços de Distribuidores e Agentes Lanchester.

Os fabricantes reservam-se o direito de alterar qualquer peça sempre que tal fôr considerado conveniente, mas se se seguirem as instruções acima ao submeter uma encomenda, os sobresselentes adequados poderão ser fornecidos.

MODELOS DE NOTAS DE ENCOMENDA

- (I) Um Bujão de Purga do Radiador, 422505/11, para o Lanchester Modelo Tipo LJ.200, Chassis Número L.65250.
- (II) Um Braço Conductor da Direcção (lado direito), 303707, para o Lanchester Modelo Tipo LJ.201, Chassis Número L.66250.

GENERAL INDEX OF PARTS

ENGINE	Page No.
Illustrations	9 to 15
Adjusting Ball (valve rocker)	20
Air Cleaner (oil bath)	22
Air Silencer	21
Camshaft	19
Camshaft Bearings	16
Camshaft Chain Wheel	19
Camshaft Driving Chain	19
Carburettor	25 and 26
Chain Cover	16
Chain Wheel Lubricator	16
Coil	25
Connecting Rod	18
Connecting Rod Bearing	19
Crankshaft	18
Crankshaft Bearing	18
Crankshaft Bearing Cap	16
Crankshaft Chain Wheel	18
Crankshaft Pulley	18
Cylinders and Basechamber	16
Cylinder Head	17
Cylinder Liner	19
Distributor	24 and 25
Drain Tap	21
Dynamo	24
Dynamo Mounting	24
Exhaust Branch	21
Fan	23
Fan Belt	23
Fluid Flywheel	23
Induction Pipe	21
Inspection Cover (tappet)	18
Oil Feed Pipe (valve rocker)	17
Oil Filler Cap	17
Oil Filter	20 and 21
Oil Indicator Rod	17
Oil Pressure Indicator Switch	20
Oil Pump	20
Oil Relief Valve	17
Oil Sump	16
Petrol Pipe (pump to carburettor)	22
Petrol Pump	22
Piston	19
Push Rod	19
Rocker Shaft	20
Sparking Plug	25
Starter Motor	24
Starting Claw	18
Suction Pipe (carburettor to distributor)	26
Support Plate (engine front)	16
Support Plate (gearbox)	16
Tappet	19
Thermostat	17
Top Cover (cylinder head)	17
Valve (inlet and exhaust)	19
Valve Guide	20
Valve Rocker	20
Valve Spring	20
Water Pipe and Branch	18
Water Pump	22 and 23

GEARBOX	Page No.
Illustrations	28 to 30
Actuating Ring (4th gear)	35
Adjusting Screw (brake band)	34
Automatic Adjuster	34
Bottom Cover	31
Brake Band (forward and reverse)	34
Brake Drum (3rd gear)	35
Brake Drum (1st gear)	35
Brake Drum (reverse)	36
Brake Drum (reverse) Bearing	36
Bus Bar	32

GEARBOX—continued	Page No.
Bus Bar Bucket	33
Bus Bar Bracket	32
Bus Bar Operating X Shaft	33
Bus Bar Spring	33
Bus Bar Spring Cover	31
Centraliser (brake band)	33
Clutch Bearing	35
Clutch Plate	35
Clutch Sliding Member	35
Clutch Spring	35
Coupling Flange (driven shaft)	31
Dipstick	31
Drain Plug	31
Driven Shaft	36
Driven Shaft Bearing	36
Driving Shaft	35
Driving Shaft Bearing	32
Filler Plug	31
Flywheel Housing and Front Cover	31
Gearbox Shell	31
Hook (forward and reverse)	34
Locking Bar	32
Oil Pump	32
Oil Seal (rear cover)	31
Operating Strut and Thrust Pad	34
Outer Member (4th gear)	35
Planets (3rd gear)	35
Planets (2nd gear)	35
Planets (1st gear)	35
Planets (reverse)	35
Pull Rod	34
Rear Cover	31
Selector Camshaft	32
Selector Cover	31
Selector Lever	32
Selector Shaft	32
Speedometer Driving Pinion	36
Speedometer Gear (driven shaft)	36
Sun Wheel (1st and 2nd gear)	35
Top Cover	31

PROPELLOR SHAFT

Illustration	38
Propellor Shaft Details	39

REAR AXLE

Illustration	40
Axle Shaft	42
Brake Drum	42
Carrier Tube	41
Carrier Tube Cover	41
Coupling Flange (drive pinion)	41
Differential Case	41
Differential Case Bearing	41
Differential Case Bearing Cap	41
Differential Gear	41
Differential Pinion	41
Differential Pinion Shaft	41
Drain Plug	41
Drive Gear and Pinion	41
Drive Pinion Front Bearing	41
Drive Pinion Rear Bearing	41
Filler Plug	41
Hub	42
Hub Bearing	42
Oil Seal (axle shaft)	42
Oil Seal (drive pinion)	41
Oil Seal (hub)	42
Wheel Stud	42

GENERAL INDEX OF PARTS—continued

FRONT SUSPENSION

	Page No.
Illustration	44
Bottom Transverse Link	45
Bottom Transverse Link Pivot Pin	45
Brake Drum	46
Hub	46
Hub Cap	46
Hub Inner Bearing	46
Hub Outer Bearing	46
Oil Catcher	46
Oil Seal (hub)	46
Swivel Axle	46
Swivel Pin	46
Swivel Pin Thrust Bearing	46
Steering Arm	46
Top Transverse Link	45
Top Transverse Link Bracket	45
Top Transverse Link Trunnion	46
Torsion Bar	45
Torsion Bar Front Adaptor	45
Torsion Bar Rear Adaptor	45
Wheel Stud	46

FRAME AND FITTINGS

Illustration	48
Body Mounting Bracket	49
Engine Metalastik Buffer	49
Engine Front Metalastik Mounting	49
Engine Rear Metalastik Mounting	50
Gearbox Support Member	50
Gearbox Support Metalastik Buffer	50
Rear Axle Rubber Buffer	50
Handbrake Cable Mudshield	49

ANTI-ROLL BAR

Illustration	52
Anti-Roll Bar	53
Anti-Roll Bar Bracket	53
Anti-Roll Bar Spindle	53

REAR SPRINGS

Illustration	52
Rear Spring	53
Rear Spring Bottom Plate	53
Rear Spring Bracket	53
Rear Spring Rubber	53
Rear Spring Shackles	53
Rear Spring Shackle Pin	53

SHOCK ABSORBERS

Illustration	52
Shock Absorber Details	53

STEERING GEAR AND CONNECTIONS

Illustrations	54 and 55
Drag Link	57
Draught Excluder	57
Drop Arm	57
Idler Lever	57
Idler Lever Bracket	57
Idler Lever Pivot Pin	57
Steering Box	56
Steering Column Control	56
Steering Column (inner)	56
Steering Column (outer)	56
Steering Wheel	56
Support Bracket (column)	57
Track Rod	57

GEAR SELECTOR CONTROL AND PEDAL

Illustrations	58 and 59
Bell Crank Lever (dash)	60
Bell Crank Lever (frame)	61
Bell Crank Lever Support (dash)	60
Control Rod (lever to dash)	60
Control Rod (dash to frame)	60
Control Rod (lever to frame)	60
Control Rod (frame to gearbox)	61

GEAR SELECTOR CONTROL AND PEDAL—cont.

	Page No.
Control Tube	60
Engaging Rod	61
Hand Lever	60
Operating Lever	61
Pedal	61
Pedal Extension	61
Pedal Rubber Cover	61
Pedal Rubber Grommet	61
Pedal Shaft	61
Quadrant	60
Support Clamp	60

ENGINE CONTROLS

Illustrations	62 and 63
Accelerator Pedal	64
Accelerator Pedal Bracket	64
Accelerator Push Rod	64
Bell Crank Lever	65
Control Bracket	64
Control Rod (horizontal)	64
Control Rod (vertical)	65
Control Tube and Levers	64
Control Tube Shaft	64
Control Tube Shaft Bracket	64
Draught Excluder	64
Mixture Control Cable	65
Mixture Control Cable Grommet	65
Throttle Return Spring	64

BRAKE OPERATING GEAR

Illustrations	66 to 68
Adjuster (front brake)	73
Adjuster (rear brake)	74
Bell Crank Lever	70
Bell Crank Lever Swivel	71
Brake Assembly (front)	73
Brake Assembly (rear)	74
Brake Cross Shaft	70
Brake Cross Shaft Lever	70
Brake Link (rear)	70
Brake Pedal	69
Brake Pedal X Shaft	69
Brake Piping	71 and 72
Brake Rod (pedal to master cylinder)	70
Brake Rod (X shaft to front idler)	70
Brake Rod (front to rear idler)	70
Brake Shoe (front)	73
Brake Shoe (rear)	74
Draw Link (rear brake)	71 and 74
Expander Unit (rear brake)	74
Handbrake Cable	69
Handbrake Control	69 and 72
Handbrake Lever	69
Idler Lever (front)	70
Idler Lever (rear)	70
Master Cylinder	70 and 72
Supply Tank	71
Wheel Cylinder	73

EXHAUST SILENCERS AND PIPING

Illustration	76
Exhaust Pipe (front)	77
Exhaust Pipe (rear)	77
Exhaust Pipe Hanger (front)	77
Exhaust Pipe Hanger (inter.)	77
Exhaust Pipe Hanger (rear)	78
Exhaust Silencer (front)	77
Exhaust Silencer (rear)	77

PETROL TANK AND PIPING

Illustration	80
Filler Cap	81
Filler Hose	81
Filler Tube	81
Outlet Pipe (main)	81
Outlet Pipe (reserve)	81

GENERAL INDEX OF PARTS —continued

PETROL TANK AND PIPING—continued

	Page No.
Petrol Pipe (flexible)	82
Petrol Pipe (inter.)	82
Petrol Pipe (main)	81
Petrol Pipe (reserve)	81
Protector (tank unit)	81
Reserve Control Cable	82
Reserve Tap	81

RADIATOR AND WATER CONNECTIONS

Illustration	84
Baffle	85
Block	85
Bonnet Lock Plate	85
Cradle	85
Drain Tap	85
Filler Cap	85
Grille	85
Horn Carrier	85
Mounting Rubber	85
Name Plate	85
Water Hose	85

CHASSIS LUBRICATION

Illustration	86
Lubrication Details	87 to 90

ELECTRICAL EQUIPMENT

(Chassis and Body)

Illustrations	92 to 94
Ammeter	98
Battery	96
Control Box	97
Fuse Box	97
Horn	96
Ignition Lock	98
Inspection Socket and Plug	97
Instrument Panel	98
Junction Box	97
Lamp (head)	95
Lamp (interior)	96
Lamp (number plate and reverse)	95
Lamp (side)	95
Lamp (stop/tail)	95 and 96
Petrol Gauge	98
Petrol Gauge Tank Unit	96
Speedometer	98
Speedometer Cable	98
Switch (dipper)	96
Switch (heater)	98
Switch (lighting and ignition)	98
Switch (panel light)	97
Switch (reverse light)	96
Switch (solenoid)	97
Switch (starter)	98
Switch (stop light)	96
Switch (windscreen wiper)	98
Temperature Gauge	98
Trafficator	96
Warning Light (ignition)	98
Warning Light (main beam)	98
Warning Light (oil)	98
Warning Light (trafficator)	97
Windscreen Wiper	97

HEATER AND DEMISTER

Illustration	102
Demister Hose	103
Fan (demister)	103
Fan (heater)	103
Front Cover	103
Heating Element	103
Motor	103
Water Hose	103
Water Pipe	103
Water Valve	103
Water Valve Control	103

BUMPERS

	Page No.
Illustration	104
Bumper Bar	105
Bumper Over-rider	105
Bumper Support Spring	105
Front Bumper Bracket (to frame)	105
Front Number Plate	105
Rear Bumper Bracket (to frame)	106

WHEELS AND TYRES

Illustration	104
Wheel	106
Wheel Hub Cap	106
Tyre and Tube	106

BODY MOUNTING

Details	107
-----------------	-----

TOOL KIT

Illustration	108
Details	109

STARTING HANDLE

Illustration	108
Starting Handle	109
Starting Handle Clip	109

BODY DETAILS

Illustrations	110 to 113
Air Vent Box	116
Apron (front)	114
Ashtray (front door)	122
Ashtray (front seat)	123
Battery Carrier	117
Battery Carrier Cover	117
Body Panels	115 and 116
Bonnet (engine cover)	114
Bonnet Hinge	115
Bonnet Lock	115
Bonnet Lock Release Cable	115
Covers (chassis access)	116 and 117
Demister Duct	116
Door (front)	116
Door (rear)	116
Door Check Arm	119 and 120
Door Handle (inside)	121
Door Handle (outside)	120 and 121
Door Hinge	118, 119 and 120
Door Lock and Control	118 and 120
Facia Panel	122
Front Seat Frame	123
Gearbox Cover	116
Glass (backlight)	117
Glass (front door, sliding)	117
Glass (front door, vent)	117
Glass (quarter light)	121
Glass (rear door)	119
Glass (windscreen)	117
Glass Channel (front door)	117
Glass Channel (quarter light)	121
Glass Channel (rear door)	119
Heater Box	117
Spring Case (front seat cushion)	123
Spring Case (front seat squab)	123
Spring Case (rear seat cushion)	124
Spring Case (rear seat squab)	124
Spring Clip (for trim pads)	125
Sun Vizard	122
Toeboard	116
Trunk Lid	116
Trunk Lid Handle	124
Trunk Lid Hinge	124
Trunk Lid Lock	124
Trunk Lid Lock Control	124
Window Regulator	118 and 119
Wing (front)	114
Wing Valance	114

It is requested that wherever possible, private owners order replacement parts from the nearest Lanchester distributor or dealer, who will supply them with genuine Lanchester factory replacements. Names and addresses of distributors and dealers will be supplied on request.

ENGINE

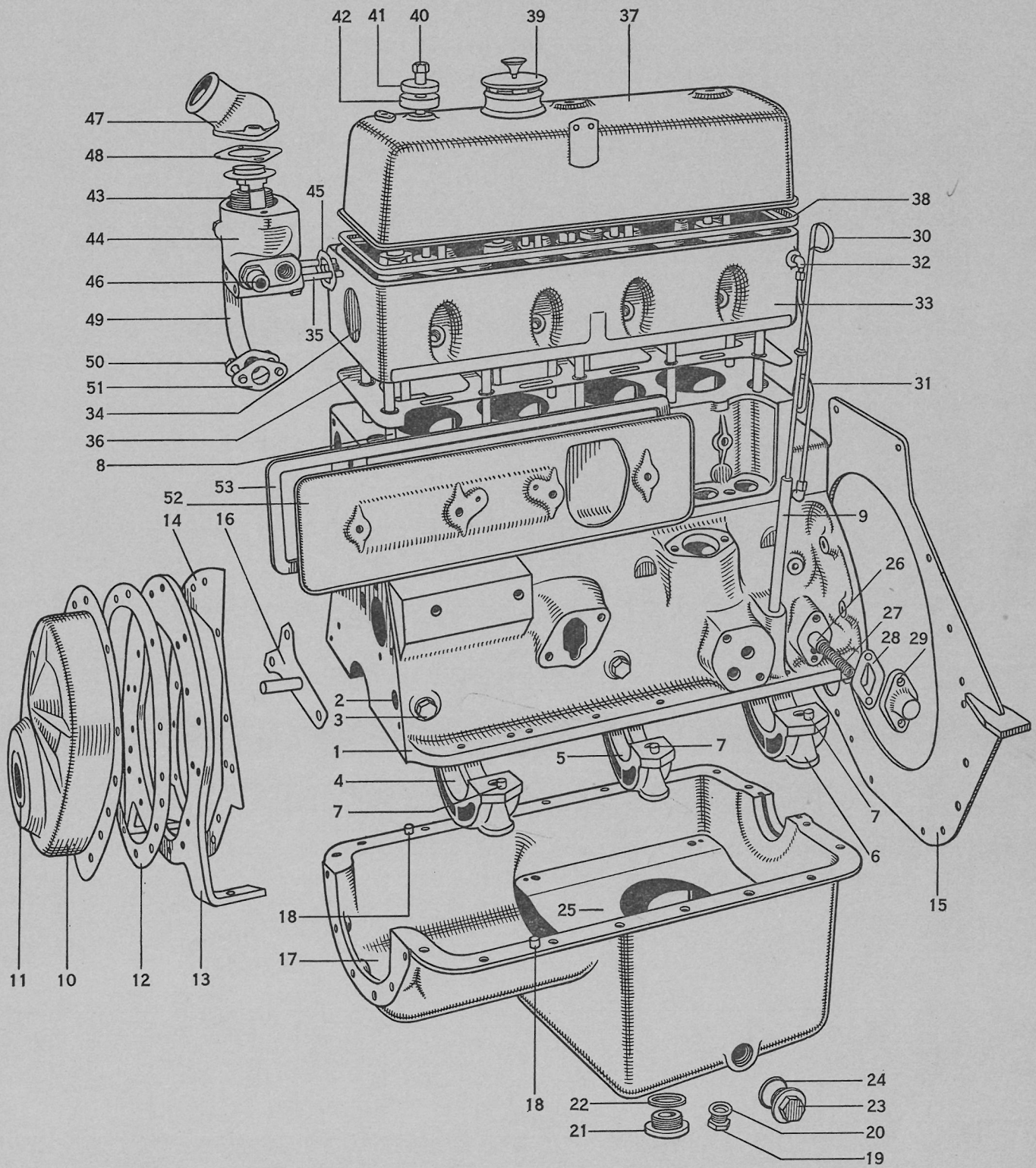


Illustration Reference Nos. 1-53

ENGINE

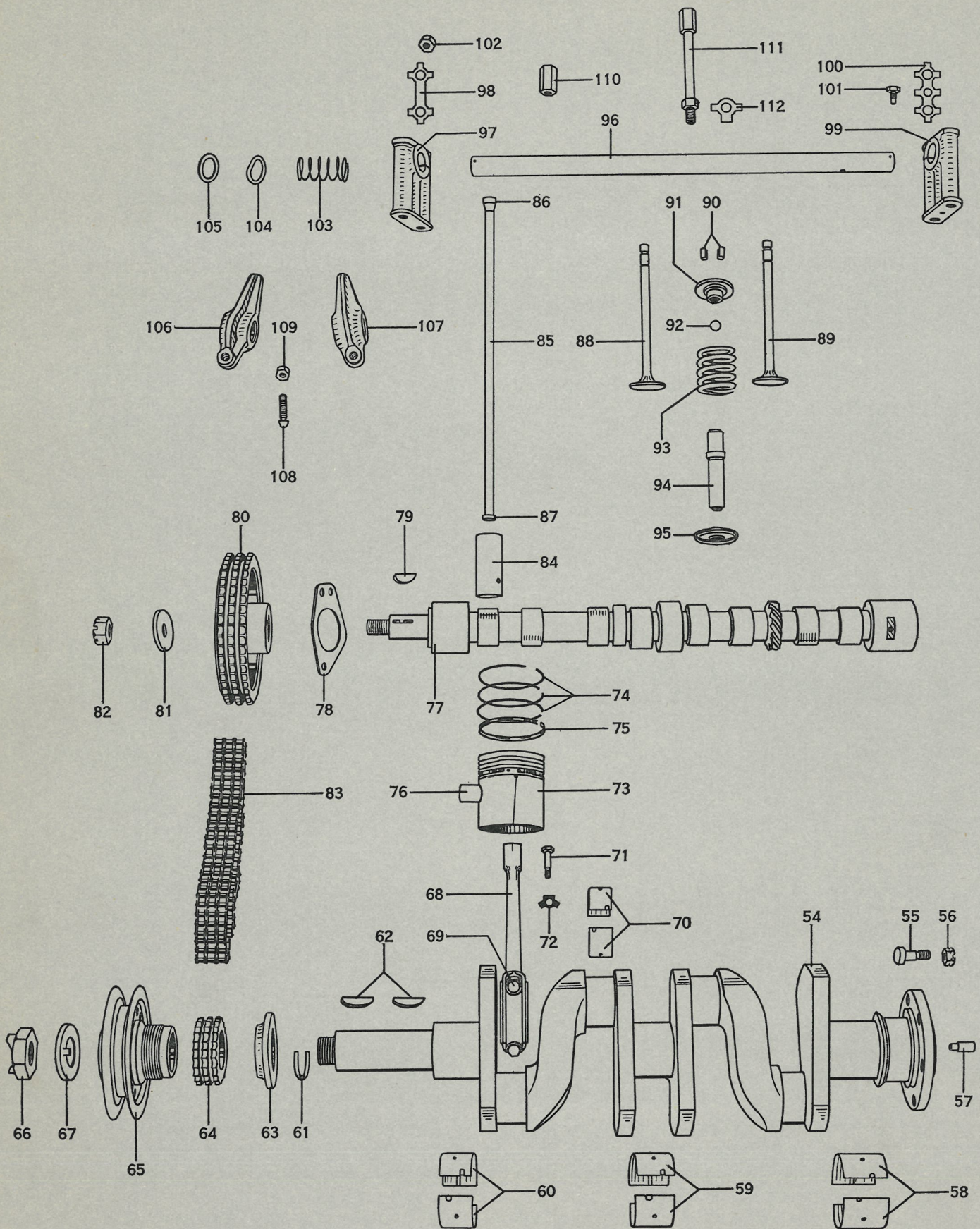


Illustration Reference Nos. 54 - 112

ENGINE

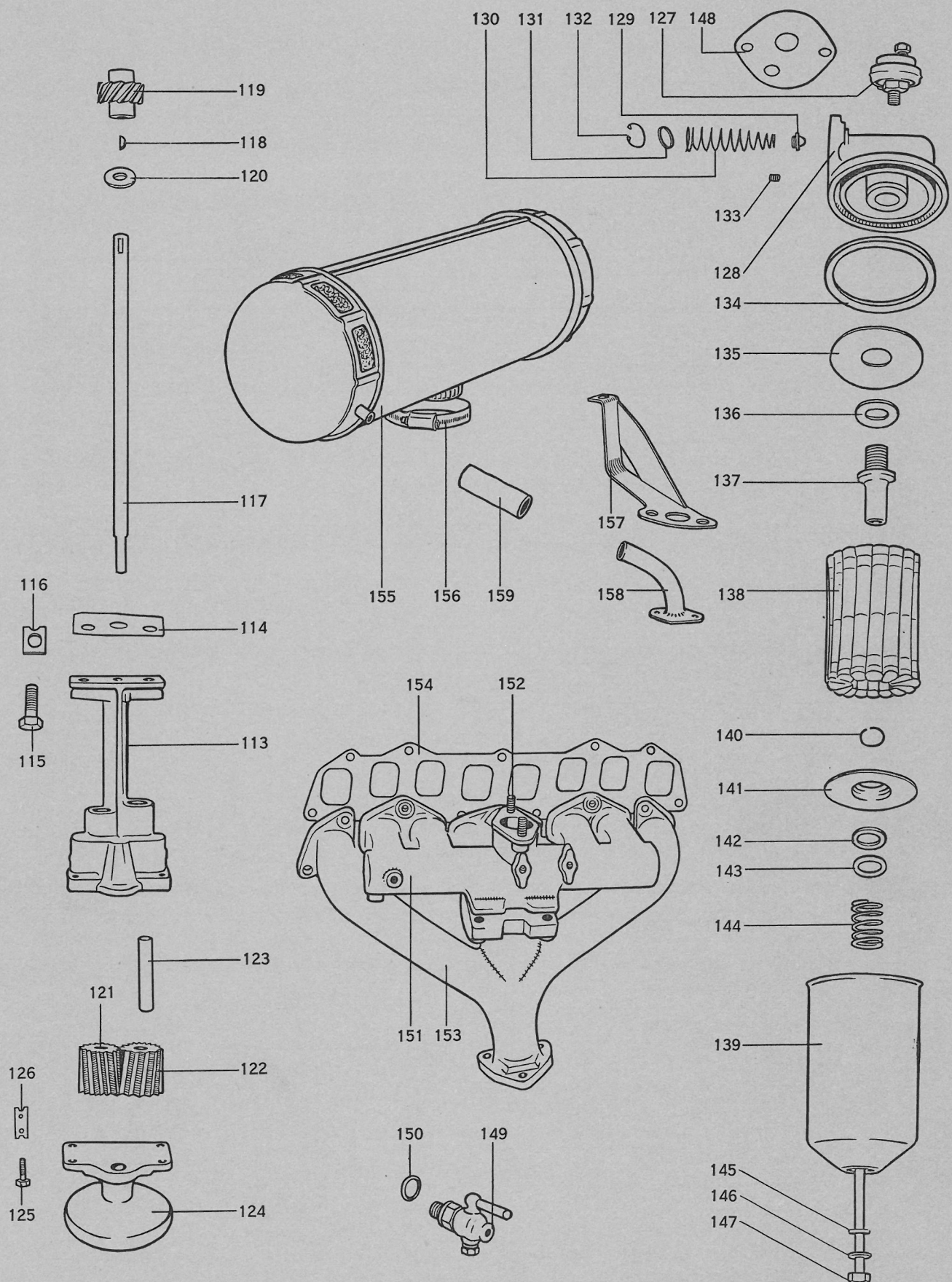


Illustration Reference Nos. 113 - 159

ENGINE

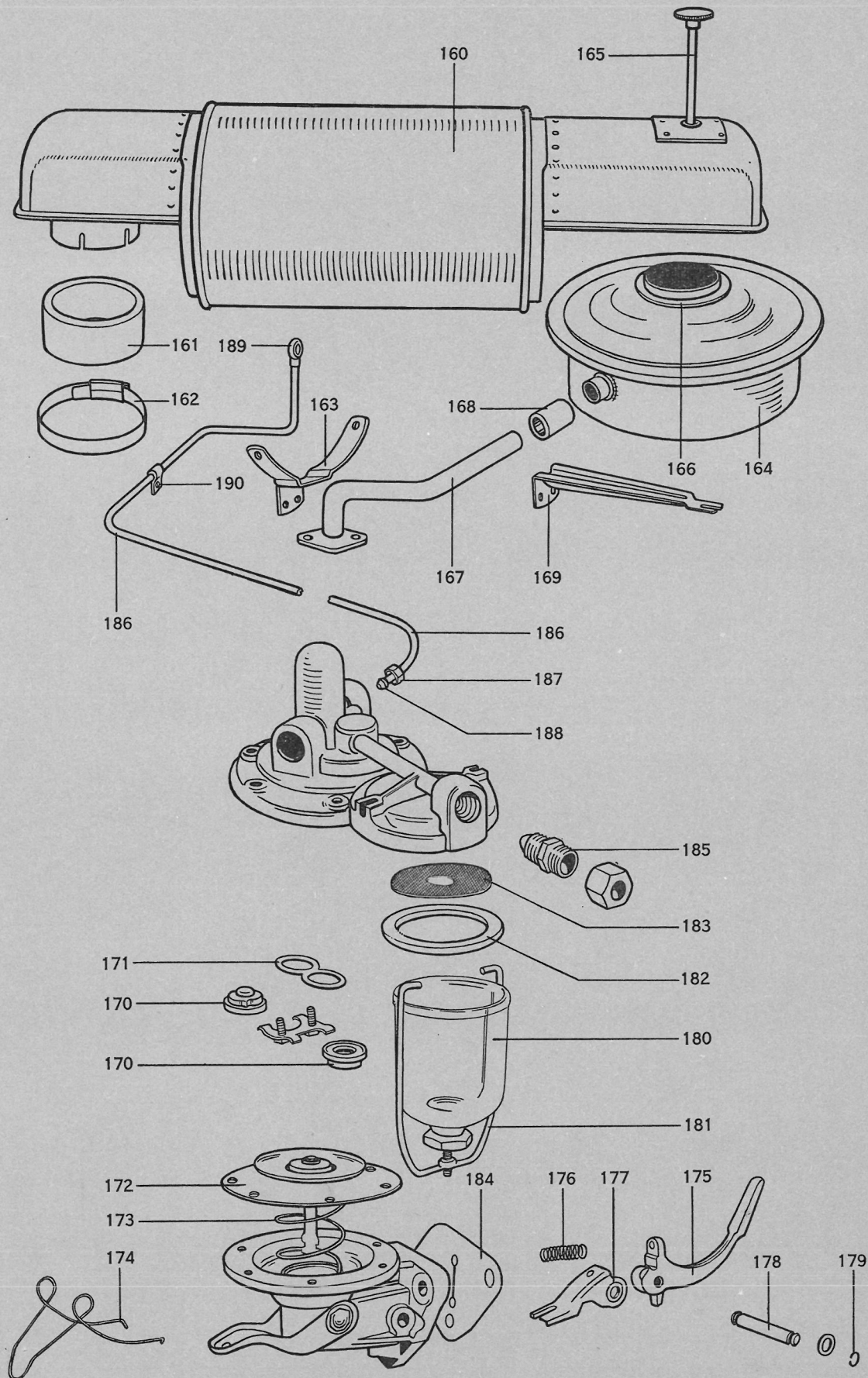


Illustration Reference Nos. 160-190

ENGINE

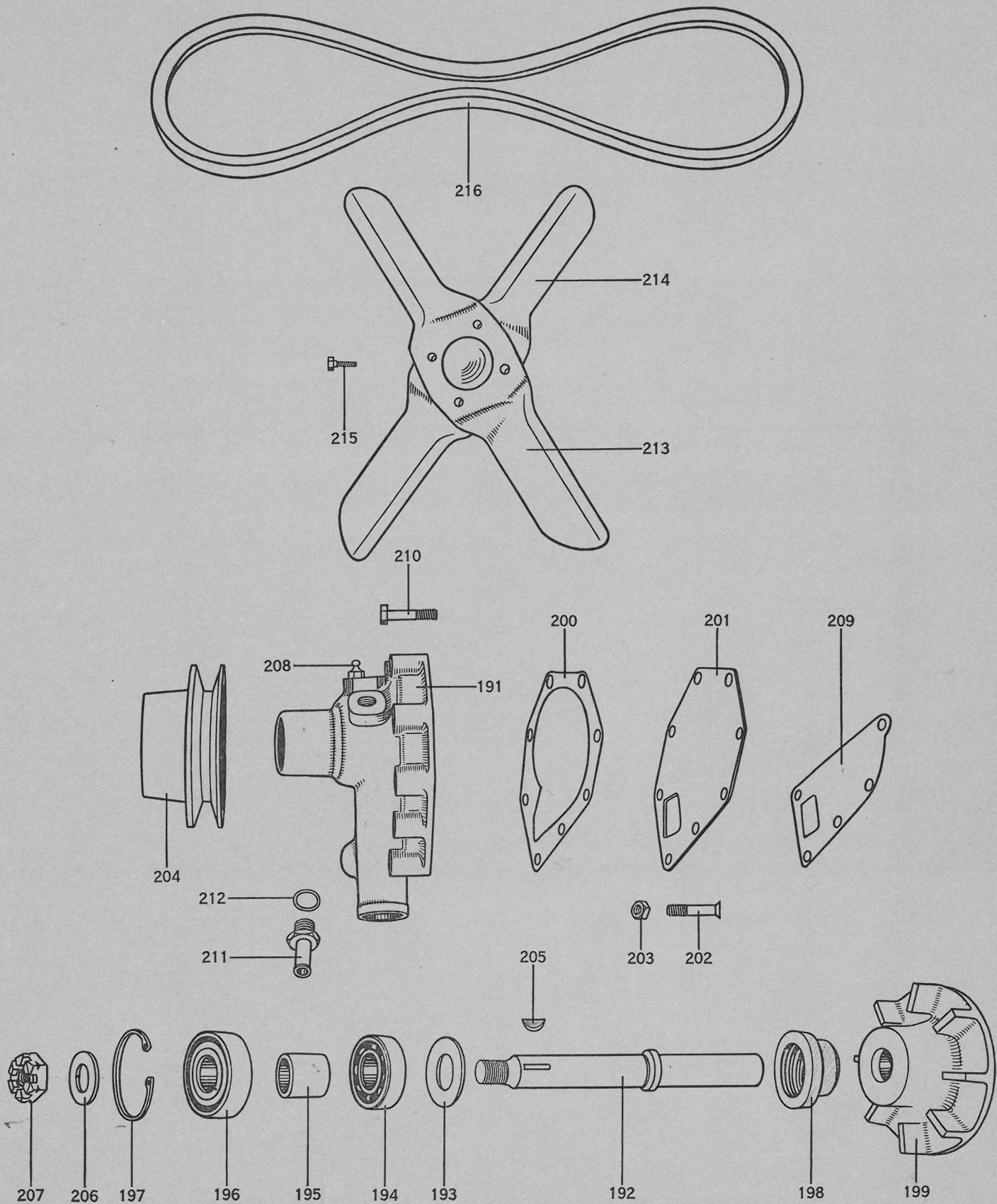


Illustration Reference Nos. 191 - 216

ENGINE

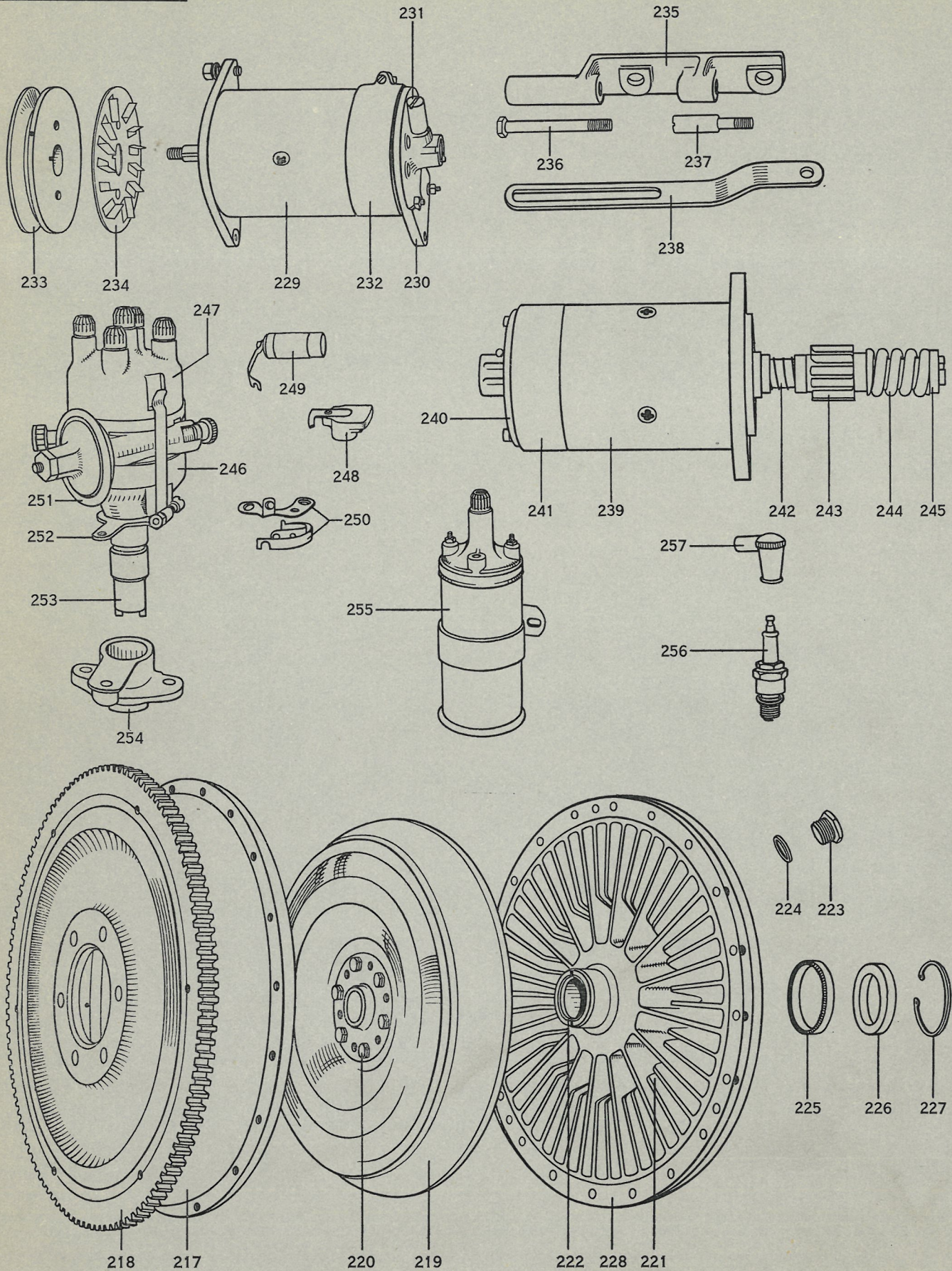


Illustration Reference Nos. 217-257

ENGINE

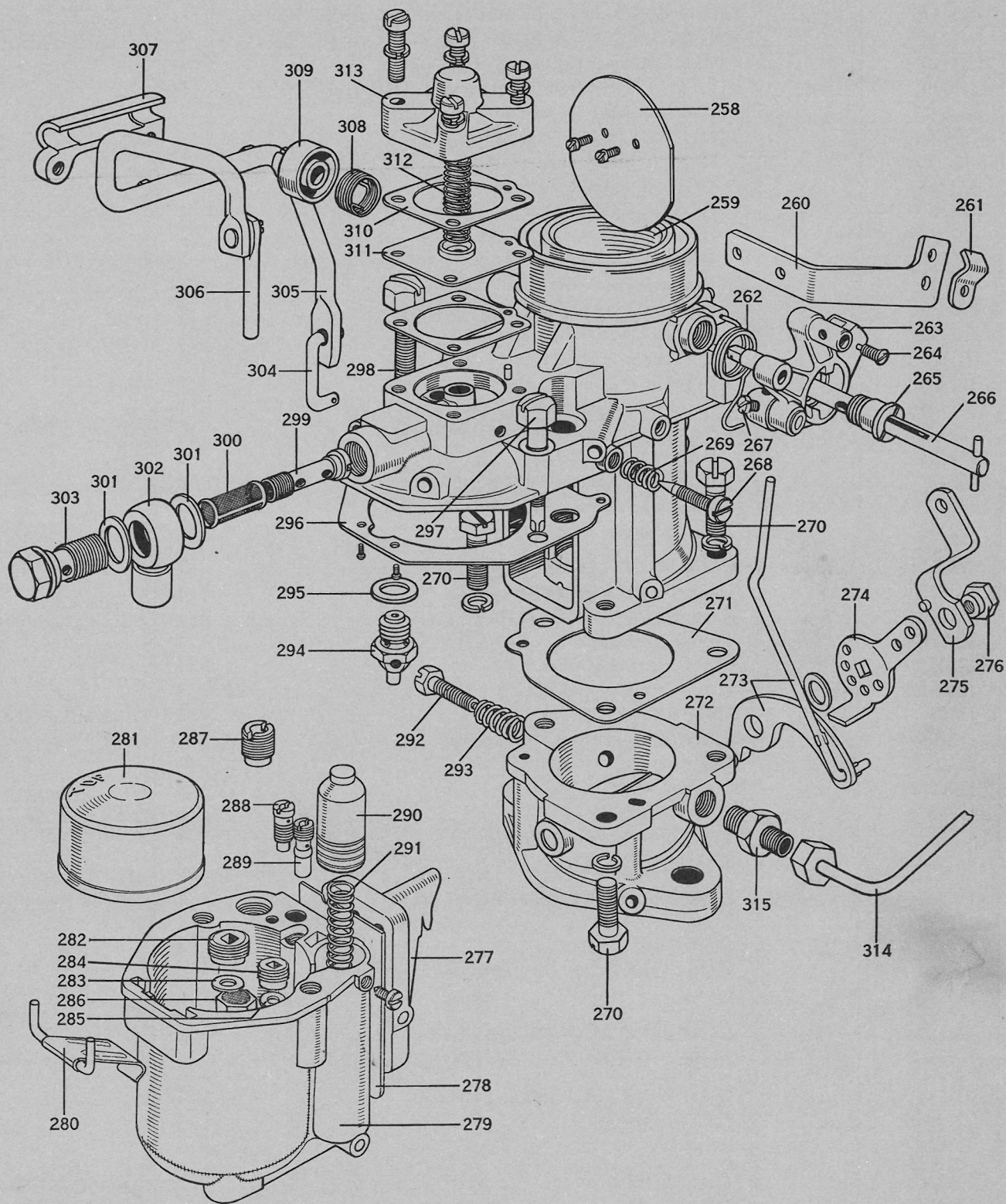


Illustration Reference Nos. 258 - 315

ENGINE

Illus. Ref. No.	Part Number	DESCRIPTION OF PART	No. per set	REMARKS
1	425457	CYLINDERS AND BASECHAMBER ASSEMBLY..	1	Up to Chassis Nos. 65076 R.H.D., 66001 L.H.D. From Chassis Nos. 65077 R.H.D., 66002 L.H.D.
	425028	CYLINDERS AND BASECHAMBER ASSEMBLY..	1	
—	259918	Welch Washer (block top) ($\frac{7}{8}$ " dia.)	6	
—	419929	Welch Washer (camshaft rear end) ($2\frac{3}{8}$ " dia.)	1	
—	263549	Welch Washer (block sides) ($1\frac{1}{8}$ " dia.)	5	
—	422502/43	Plug (block sides) (1" dia.)	4	
2	422502/20	Plug (oil gallery ends) ($\frac{5}{8}$ " dia.)	2	
—	422583	Oil Pump Spindle Bush	1	
—	422502/11	Plug (oil gallery) ($\frac{3}{8}$ " dia.)	1	
3	22107/04	Oil Gallery Screw ($\frac{7}{16}$ " U.C. \times $\frac{1}{2}$ ")	2	
—	418091	Screw Washer	2	
—	420609	Camshaft Front Bearing Liner	1	
—	420610	Camshaft Intermediate Bearing Liner	1	
—	422200	Camshaft Rear Bearing Liner	1	
4	301305	Crankshaft Front Bearing Cap	1	
5	301304	Crankshaft Intermediate Bearing Cap	1	
6	301306	Crankshaft Rear Bearing Cap	1	
7	420304	Bearing Cap and Basechamber Dowel	10	
—	422783	Bearing Cap Setscrew	6	
—	402137	Bearing Cap Setscrew Lockplate	6	
8	34007/44	Cylinder Head Stud ($\frac{7}{16}$ " U.C./U.F. \times $5\frac{1}{2}$ ")	12	
9	422364	Oil Indicator Tube	1	
10	423252	CHAIN COVER (pressed type)..	1	Alternatives
	133855	CHAIN COVER (cast type)	1	
11	423200/05	Chain Cover Oil Seal (Super 319212)	1	
12	301378	Chain Cover Joint	1	
—	22105/07	Cover Screw ($\frac{5}{16}$ " U.C. \times $\frac{7}{8}$ ")	11	
—	12105/05	Cover Screw ($\frac{5}{16}$ " U.F. \times $\frac{5}{8}$ ")	3	Used with pressed cover only
—	13105	Plain Nut ($\frac{5}{16}$ " U.F.)	3	
—	423006	Cover Stud (dynamo adjustment)	1	
—	22105/09	Cover Screw ($\frac{5}{16}$ " U.C. \times $1\frac{1}{8}$ ")	11	
—	12105/08	Cover Screw ($\frac{5}{16}$ " U.F. \times 1")	3	Used with cast cover only
—	13105	Plain Nut ($\frac{5}{16}$ " U.F.)	3	
—	424799	Cover Stud (dynamo adjustment)	1	
—	422508/19	Shakeproof Washer ($\frac{5}{16}$ " int.)	15	
13	133082	ENGINE FRONT SUPPORT PLATE	1	
14	132875	Support Plate Joint	1	
—	22105/06	Plate Screw ($\frac{5}{16}$ " U.C. \times $\frac{3}{4}$ ")	4	
—	422508/19	Shakeproof Washer ($\frac{5}{16}$ " int.)	2	
—	269656	Lockplate	2	
15	133145	GEARBOX SUPPORT PLATE	1	
—	—	Support Plate Fixings	—	See Gearbox Section
16	425081	Chain Wheel Lubricator and Plate	1	
—	22105/05	Plate Screw ($\frac{5}{16}$ " U.C. \times $\frac{5}{8}$ ")	3	
—	423334	Lockplate	3	
—	133008	OIL SUMP	1	From Chassis Nos. 65077 R.H.D., 66002 L.H.D. Up to Chassis Nos. 65076 R.H.D., 66001 L.H.D.
17	134154	OIL SUMP	1	
18	420304	Sump Dowel	2	
19	423114	Sump Plug	1	
20	422506/15	C and A Washer	1	Up to Chassis Nos. 65076 R.H.D., 66001 L.H.D.
21	304010	Sump Plug	1	
22	425021	Copper Washer	1	From Chassis Nos. 65077 R.H.D., 66002 L.H.D.

ENGINE

Illus. Ref. No.	Part Number	DESCRIPTION OF PART	No. per set	REMARKS
23	422791	Sump Drain Plug	1	
24	422506/36	C and A Washer	1	
25	133036	Oil Sump Tray	1	
—	22104/05	Tray Screw ($\frac{1}{4}$ " U.C. \times $\frac{5}{8}$ ")	4	
—	422464	Lockplate	4	
—	21105/08	Sump Bolt ($\frac{5}{16}$ " U.C. \times 1")	16	
—	21105/30	Sump Bolt ($\frac{5}{16}$ " U.C. \times $3\frac{3}{4}$ ")	2	
—	422508/19	Shakeproof Washer ($\frac{5}{16}$ " int.)	18	
26	422902	OIL RELIEF VALVE	1	
27	422903	Relief Valve Spring	1	
28	420338	Relief Valve Cap Joint	1	
29	420139	Relief Valve Cap	1	
—	22105/07	Cap Screw ($\frac{5}{16}$ " U.C. \times $\frac{7}{8}$ ")	2	
—	422508/19	Shakeproof Washer ($\frac{5}{16}$ " int.)	2	
30	302391	OIL INDICATOR ROD	1	
31	301430	ROCKER OIL FEED PIPE ASSEMBLY	1	
32	422873	Pipe Connection	2	
33	133202	CYLINDER HEAD ASSEMBLY	1	
34	405291	Welch Washer ($2\frac{1}{4}$ " dia.)	2	
—	259918	Welch Washer ($\frac{7}{8}$ " dia.)	6	
—	420140	Plug ($\frac{5}{16}$ " dia.)	1	
—	422502/16	Plug ($\frac{1}{2}$ " dia.)	2	
—	422654	Water Jet	4	
—	423056	Exhaust Valve Insert	4	
—	—	Valve Guide	8	See Ref. No. 94
—	—	Valve Spring Packing	8	See Ref. No. 95
—	34005/14	Exhaust and Induction Pipe Stud ($\frac{5}{16}$ " U.C./U.F. \times $1\frac{3}{4}$ ")	11	
35	34005/29	Thermostat Body Stud ($\frac{5}{16}$ " U.C./U.F. \times $3\frac{5}{8}$ ")	2	
—	34006/32	Rocker Shaft Bracket Stud ($\frac{3}{8}$ " U.C./U.F. \times 4")	8	
—	13107	Cylinder Head Stud Nut ($\frac{7}{16}$ " U.F.)	12	
—	422500/04	Plain Washer ($\frac{7}{16}$ " I.D.)	12	
36	132889	Cylinder Head Joint	1	
37	133187	TOP COVER (pressed type)	1	} Alternatives
—	133859	TOP COVER (cast type)	1	
38	302230	Top Cover Joint	1	
39	425026	Oil Filler Cap	1	
40	12106/09	Cover Screw ($\frac{3}{8}$ " U.F. \times $1\frac{1}{8}$ ")	3	
41	401288	Screw Rubber Retainer	3	
42	403619	Screw Rubber	3	
43	303756	THERMOSTAT UNIT (AC.1572107)	1	
44	133142	Thermostat Body	1	
—	13105	Thermostat Body Stud Nut ($\frac{5}{16}$ " U.F.)	2	
—	422508/19	Shakeproof Washer ($\frac{5}{16}$ " int.)	2	
45	419858	Thermostat Body Joint	1	
46	422633	Heater Pipe Nozzle	1	
—	422506/15	C and A Washer	1	
47	302953	Water Outlet Branch	1	
—	22105/07	Branch Screw ($\frac{5}{16}$ " U.C. \times $\frac{7}{8}$ ")	2	

ENGINE

Illus. Ref. No.	Part Number	DESCRIPTION OF PART	No. per set	REMARKS
—	422508/19	Shakeproof Washer ($\frac{5}{16}$ " int.).. .. .	2	
48	422718	Water Outlet Branch Joint	1	
49	302420	WATER PIPE (thermostat body to pump)	1	
50	22105/06	Pipe Screw ($\frac{5}{16}$ " U.C. \times $\frac{3}{4}$ "	4	
—	422508/19	Shakeproof Washer ($\frac{5}{16}$ " int.).. .. .	4	
51	403795	Water Pipe Joint	2	
52	132902	TAPPET COVER (pressed type)	1	} Alternatives
—	133862	TAPPET COVER (cast type)	1	
—	21105/18	Cover Bolt ($\frac{5}{16}$ " U.C. \times $2\frac{1}{4}$ "	4	
—	422506/03	C and A Washer	4	
53	302229	Tappet Cover Joint	1	
54	134156	CRANKSHAFT	1	} Up to Chassis Nos. 65076 R.H.D., 66001 L.H.D.
—	133168	CRANKSHAFT	1	
55	420134	Crankshaft Flange Bolt	6	
56	13408	Slotted Nut ($\frac{1}{2}$ " U.F.)	6	
57	412296	Crankshaft Thrust Button	1	
—	425248	Crankshaft Felt Oil Seal (halves)	2	} Up to Chassis Nos. 65076 R.H.D., 66001 L.H.D.
58	301704	Crankshaft Rear Bearing Liner (standard)	2	
—	301704-1	Crankshaft Rear Bearing Liner (.010" u/s)	2	
—	301704-2	Crankshaft Rear Bearing Liner (.020" u/s)	2	
—	301704-3	Crankshaft Rear Bearing Liner (.030" u/s)	2	
—	301704-4	Crankshaft Rear Bearing Liner (.040" u/s)	2	
59	301703	Crankshaft Intermediate Bearing Liner (standard)	2	
—	301703-1	Crankshaft Intermediate Bearing Liner (.010" u/s)	2	
—	301703-2	Crankshaft Intermediate Bearing Liner (.020" u/s)	2	
—	301703-3	Crankshaft Intermediate Bearing Liner (.030" u/s)	2	
—	301703-4	Crankshaft Intermediate Bearing Liner (.040" u/s)	2	
60	301702	Crankshaft Front Bearing Liner (standard)	2	
—	301702-1	Crankshaft Front Bearing Liner (.010" u/s)	2	
—	301702-2	Crankshaft Front Bearing Liner (.020" u/s)	2	
—	301702-3	Crankshaft Front Bearing Liner (.030" u/s)	2	
—	301702-4	Crankshaft Front Bearing Liner (.040" u/s)	2	
61	303843-1	Front Bearing Thrust Washer (nominal thickness .0920")	2	
—	303843-2	Front Bearing Thrust Washer (nominal thickness .0945")	2	
—	303843-3	Front Bearing Thrust Washer (nominal thickness .0970")	2	
62	422510/62	Crankshaft Key	2	
63	423005	Crankshaft Thrust Washer	1	
64	420084	Crankshaft Chain Wheel	1	
—	425214	Oil Shield	1	
65	302826	Crankshaft Pulley	1	
66	420917	Starting Claw	1	
67	401599	Starting Claw Lockwasher	1	
68	302138	CONNECTING ROD ASSEMBLY (less liner)	4	
69	422814	Connecting Rod Bolt	8	
—	415368	Lockplate	8	
—	420327	Dowel	8	

ENGINE

Illus. Ref. No.	Part Number	DESCRIPTION OF PART	No. per set	REMARKS
70	303842	Connecting Rod Liner (standard)	8	
	303842-1	Connecting Rod Liner (.010" u/s)	8	
	303842-2	Connecting Rod Liner (.020" u/s)	8	
	303842-3	Connecting Rod Liner (.030" u/s)	8	
	303842-4	Connecting Rod Liner (.040" u/s)	8	
71	422812	Gudgeon Pin Fixing Bolt	4	
72	405149	Lockplate	4	
—	302512	PISTON ASSEMBLY (standard)	4	
	303869	PISTON ASSEMBLY (.010" o/s)	4	
	303870	PISTON ASSEMBLY (.020" o/s)	4	
73	302458	Piston (standard)	4	
	303862	Piston (.010" o/s)	4	
	303863	Piston (.020" o/s)	4	
74	422455	Compression Ring (standard)	12	
	424835	Compression Ring (.010" o/s)	12	
	424836	Compression Ring (.020" o/s)	12	
75	422454	Scraper Ring (standard)	4	
	424839	Scraper Ring (.010" o/s)	4	
	424840	Scraper Ring (.020" o/s)	4	
76	422456	Gudgeon Pin	4	
<p>Note. The following item is available for fitment after 2nd oversize limits have been reached and returns cylinder bore to standard size:</p>				
—	301380	CYLINDER LINER	4	
77	133001	CAMSHAFT	1	
78	423045	Camshaft Front Bearing Thrust Plate	1	
—	22105/05	Plate Screw ($\frac{5}{16}$ " U.C. \times $\frac{5}{8}$ ")	2	
—	269656	Lockplate	2	
79	422510/21	Camshaft Key	1	
80	302566	Camshaft Chain Wheel	1	
81	423053	Chain Wheel Washer	1	
82	13410	Slotted Nut ($\frac{5}{8}$ " U.F.)	1	
83	302444	CAMSHAFT DRIVING CHAIN (116038, $\frac{3}{8}$ " P. \times $\frac{1}{4}$ " R. \times 68 pitches)	1	
84	297381	TAPPET	8	
85	422777	PUSH ROD ASSEMBLY	8	
86	402217	Push Rod Cup End	8	
87	402218	Push Rod Ball End	8	
88	302656	EXHAUST VALVE	4	
89	302655	INLET VALVE	4	
90	422784	Valve Split Cone (2 halves)	8	
91	422785	Split Cone Washer	8	

ENGINE

Illus. Ref. No.	Part Number	DESCRIPTION OF PART	No. per set	REMARKS
92	401925	Valve Spring Ring	8	
93	301741	Valve Spring	8	
94	422782	Valve Guide	8	
95	422781	Valve Spring Packing	8	
96	422207	ROCKER SHAFT AND PLUG	1	
97	422778	Rocker Shaft Front and Intermediate Bracket	3	
98	401912	Bracket Lockplate	3	
99	422779	Rocker Shaft Rear Bracket	1	
100	401913	Bracket Lockplate	1	
101	422820	Rear Bracket Locating Screw	1	
102	13106	Bracket Stud Plain Nut ($\frac{3}{8}$ " U.F.)	6	
103	401655	Rocker Shaft Spring	3	
104	401654	Rocker Shaft Spring Plate	2	
105	401869	Rocker Shaft Washer	10	
106	422827	Front Valve Rocker	4	
107	422826	Rear Valve Rocker	4	
108	420136	Valve Rocker Adjusting Ball	8	
109	13105	Locknut ($\frac{5}{16}$ " U.F.)	8	
110	422803	Top Cover Stud Adaptor (front and rear)	2	
111	423003	Top Cover Stud Adaptor (intermediate)	1	
112	420040	Adaptor (intermediate) Lockplate	1	
113	419951	OIL PUMP BODY	1	
—	—	Driven Gear Pin	—	See Ref. No. 123
114	419953	Body Joint	1	
115	21107/09	Body Bolt ($\frac{7}{16}$ " U.C. \times $1\frac{1}{8}$ ")	2	
116	413855	Lockplate	2	
117	419950	Oil Pump Spindle	1	
118	422510/11	Spindle Key	1	
119	403374	Spindle Spiral Gear	1	
120	401831	Spiral Gear Thrust Washer	1	
121	415603	Oil Pump Driving Gear	1	
122	415604	Oil Pump Driven Gear	1	
123	403632	Driven Gear Pin	1	
124	301401	Body Cover	1	
125	22104/06	Cover Setscrew ($\frac{1}{4}$ " U.C. \times $\frac{3}{4}$ ")	4	
126	423044	Lockplate	2	
127	422569	Oil Pressure Indicator Switch	1	
128	301695	Oil Filter Body	1	
129	420628	Balance Valve	1	
130	420629	Balance Valve Spring	1	
131	420644	Balance Valve Spring Plate	1	
132	422516/11	Balance Valve Circlip	1	
133	422762	Centre Tube Socket Screw	1	
—	302466	OIL FILTER ASSEMBLY	1	
134	302466/01	Container to Body Joint Ring (137017/11)	1	
135	302466/02	Element Top Plate (134282)	1	
136	302466/03	Centre Tube Washer (173119)	1	
137	302466/04	Container to Body Centre Tube (101161)	1	
138	302466/05	Element (FG2346)	1	
139	302466/06	Container (41524)	1	

Illus. Ref. No.	Part Number	DESCRIPTION OF PART	No. per set	REMARKS
OIL FILTER ASSEMBLY (continued)				
140	302466/07	Bottom Plate Retaining Ring (163149)	1	
141	302466/08	Bottom Plate (134062)	1	
142	302466/09	Bottom Plate Felt Washer (141012)	1	
143	302466/10	Bottom Plate Washer (150320)	1	
144	302466/11	Bottom Plate Spring (160065)	1	
145	302466/12	Container Bolt Rubber Seal (137105)	1	
146	302466/13	Container Bolt Washer (WWA1006)	1	
147	302466/14	Container Bolt (150034)	1	
148	420555	Oil Filter Body to Engine Joint	1	
—	21106/08	Body to Engine Bolt ($\frac{3}{8}$ " U.C. \times 1")	2	
—	422508/21	Shakeproof Washer ($\frac{3}{8}$ " int.)	2	
149	422505/10	CYLINDER DRAIN TAP	1	
150	422506/05	C and A Washer	1	
—	424832	Temperature Gauge Capillary Tube Clip	2	
151	302672	INDUCTION PIPE AND STUD ASSEMBLY	1	
152	422838	Induction Pipe Stud (to carburettor)	2	
—	13105	Plain Nut ($\frac{5}{16}$ " U.F.)	2	
—	422508/19	Shakeproof Washer ($\frac{5}{16}$ " int.)	2	
—	424720	Induction Pipe Plug	1	
—	423438	Plug Washer	1	
153	133204	EXHAUST BRANCH	1	
—	422804	Exhaust Branch and Induction Pipe Stud Nut	11	
—	422500/02	Plain Washer ($\frac{5}{16}$ " I.D.)	11	
—	21105/12	Hot Spot Bolt ($\frac{5}{16}$ " U.C. \times 1 $\frac{1}{2}$ ")	2	
—	422508/19	Shakeproof Washer ($\frac{5}{16}$ " int.)	2	
154	133201	Exhaust Branch and Induction Pipe Joint	1	
155	133524	AIR SILENCER (1579974) (See also *)	1	*When replacement Air Silencers are required for cars up to Chassis No. 65079, 304232 Breather Pipe (1 off) and 302454/9 Clip (2 off) should also be ordered.
156	422522/11	Silencer Clip	1	
157	303705	Silencer Bracket	1	
—	12104/04	Silencer to Bracket Screw ($\frac{1}{4}$ " U.F. \times $\frac{1}{2}$ ")	1	
—	422508/15	Shakeproof Washer ($\frac{1}{4}$ " int.)	1	
158	423622	Breather Pipe (up to Chassis No. 65079)	1	
—	304232	Breather Pipe (from Chassis No. 65080)	1	
—	302454/9	Breather Pipe Clip (from Chassis No. 65080)	2	
—	12104/04	Pipe and Bracket to Top Cover Screw ($\frac{1}{4}$ " U.F. \times $\frac{1}{2}$ ") (used with pressed cover only)	2	
—	22104/04	Pipe and Bracket to Top Cover Screw ($\frac{1}{4}$ " U.C. \times $\frac{1}{2}$ ") (used with cast cover only)	2	
—	422508/15	Shakeproof Washer ($\frac{1}{4}$ " int.)	2	
159	420768	Pipe to Silencer Hose	1	
160	133856	AIR SILENCER (1579980)	1	
161	424797	Silencer to Carburettor Hose	1	
162	422522/12	Hose Clip	2	
163	303824	Silencer Bracket	1	
—	12104/04	Silencer to Bracket Screw ($\frac{1}{4}$ " U.F. \times $\frac{1}{2}$ ")	2	
—	422508/15	Shakeproof Washer ($\frac{1}{4}$ " int.)	2	
—	12104/05	Bracket to Top Cover Screw ($\frac{1}{4}$ " U.F. \times $\frac{5}{8}$ ") (used with pressed cover only)	2	

Home only

Export only

ENGINE

Illus. Ref. No.	Part Number	DESCRIPTION OF PART	No. per set	REMARKS
—	13104	Plain Nut ($\frac{1}{4}$ " U.F.) (used with pressed cover only) ..	2	}
—	22104/05	Bracket to Top Cover Screw ($\frac{1}{4}$ " U.C. \times $\frac{5}{8}$ ") (used with cast cover only)	2	
—	422508/15	Shakeproof Washer ($\frac{1}{4}$ " int.)	2	
164	303814	OIL BATH AIR CLEANER ASSEMBLY (1579986)	1	
165	424843	Cleaner to Silencer Clamp Bolt (1573851)	1	
166	424889	Cleaner Gasket (1527720)	1	
167	303823	Breather Pipe	1	
168	420768	Pipe to Cleaner Hose	1	
—	12104/04	Pipe to Top Cover Screw ($\frac{1}{4}$ " U.F. \times $\frac{1}{2}$ ") (used with pressed cover only)	2	
—	22104/04	Pipe to Top Cover Screw ($\frac{1}{4}$ " U.C. \times $\frac{1}{2}$ ") (used with cast cover only)	2	
—	422508/15	Shakeproof Washer ($\frac{1}{4}$ " int.)	2	
169	303850	Cleaner Bracket	1	
—	12105/05	Cleaner to Bracket Screw ($\frac{5}{16}$ " U.F. \times $\frac{5}{8}$ ")	1	
—	422540/05	D.C. Spring Washer ($\frac{5}{16}$ " I.D.)	1	
—	133007	PETROL PUMP ASSEMBLY (AC type "UE") (1524750)	1	
170	133007/01	Valve Assembly (1524365)	2	
171	133007/02	Valve Gasket (1524370)	1	
172	133007/03	Diaphragm Assembly (1524628)	1	
173	133007/04	Diaphragm Spring (1524013)	1	
174	133007/10	Hand Primer Lever Spring (1524463)	1	
175	133007/05	Rocker Arm (1524151)	1	
176	133007/06	Rocker Arm Spring (856927)	1	
177	133007/09	Rocker Arm Link Assembly (856961)	1	
178	133007/07	Rocker Arm Pin (856035)	1	
179	133007/08	Pin Circlip (1524112)	2	
180	133007/12	Filter Glass Cover (855927)	1	
181	133007/11	Cover Retainer Assembly (856509)	1	
182	133007/13	Filter Gasket (854003)	1	
183	133007/14	Filter Gauze (854009)	1	
—	133007/15	Upper to Lower Body Screw (855493)	6	
—	133007/16	Screw Washer (114648)	6	
184	425103	Petrol Pump to Engine Joint (1524686)	1	
—	21105/07	Pump to Engine Bolt ($\frac{5}{16}$ " U.C. \times $\frac{7}{8}$ ")	2	
—	422508/19	Shakeproof Washer ($\frac{5}{16}$ " int.)	2	
185	422787	Petrol Pump Straight Union (1524729)	2	
186	132992	Petrol Pipe Assembly (pump to carburettor)	1	
187	422786	Union Nut (pump end) (1524190)	1	
188	422890	Union Olive (pump end) (114631)	1	
189	—	Banjo Union (carburettor end)	1	
190	422428	Petrol Pipe Clip	1	
—	22105/04	Clip Screw ($\frac{5}{16}$ " U.C. \times $\frac{1}{2}$ ")	1	
—	422508/19	Shakeproof Washer ($\frac{5}{16}$ " int.)	1	
—	304014	WATER PUMP ASSEMBLY	1	
191	132569	Pump Body	1	
192	420146 ✓	Pump Spindle	1	
193	405385 ✓	Spindle Flinger	1	
194	411535 ✓	Inner Bearing (N2897)	1	
195	405383 ✓	Bearing Distance Piece	1	

Export only

See Ref. No. 302

ENGINE

Illus. Ref. No.	Part Number	DESCRIPTION OF PART	No. per set	REMARKS
WATER PUMP ASSEMBLY (continued)				
196	411536 ✓	Outer Bearing (N3179)	1	
197	422517/26 ✓	Outer Bearing Circlip (Seeger 40 mm. bore)	1	
198	425037 ✓	Pump Gland	1	
199	302848 ✓	Vane Wheel	1	
200	301532 ✓	Body to Cover Plate Joint	1	
201	301531 ✗	Cover Plate	1	
202	11305/11	Body to Cover Plate Bolt ($\frac{5}{16}$ " U.F. \times $1\frac{3}{8}$ " C'sk.)	3	
203	13105	Plain Nut ($\frac{5}{16}$ " U.F.)	3	
—	422508/19	Shakeproof Washer ($\frac{5}{16}$ " int.)	3	
204	302849	Fan Pulley	1	
205	422510/13	Pulley Key	1	
206	422500/05	Plain Washer ($\frac{1}{2}$ " I.D.)	1	
207	13408	Slotted Nut ($\frac{1}{2}$ " U.F.)	1	
208	422521/29	Grease Nipple (H29 $\frac{1}{8}$ " gas)	1	
209	301533 ✓	Water Pump to Engine Joint	1	
210	21105/12	Pump to Engine Bolt ($\frac{5}{16}$ " U.C. \times $1\frac{1}{2}$ ")	5	
—	422508/19	Shakeproof Washer ($\frac{5}{16}$ " int.)	5	
211	422633	Heater Pipe Nozzle	1	
212	422506/16	C and A Washer	1	
213	119272	FAN BLADE (front)	1	
214	119273	FAN BLADE (rear)	1	
—	119739	FAN BLADE (additional)	1	Special orders only
215	22104/05	Fan Blade Setscrew ($\frac{1}{4}$ " U.C. \times $\frac{5}{8}$ ")	4	
—	422508/18	Shakeproof Washer ($\frac{1}{4}$ " int.)	4	
216	302511	Fan, Pump and Dynamo Belt	1	
—	DL.35286	FLUID FLYWHEEL COMPLETE	1	
217	302252	FRONT CASING ASSEMBLY	1	
218	302251	Starter Gear Ring	1	
—	420168	Gear Ring Screw	6	
219	302255	RUNNER AND CENTRE PIECE ASSEMBLY	1	
220	422278	Runner Centre Bolt	6	
—	13305	Slotted Nut ($\frac{5}{16}$ " U.F.)	6	
221	302256	REAR CASING ASSEMBLY	1	
222	411742	Casing Bearing	1	
223	302800	Casing Plug	2	
224	422506/23	C and A Washer	2	
225	423200/02	Rear Casing Oil Seal (GACO Mis. 14)	1	
226	423221	Oil Seal Washer	1	
227	422517/36	Oil Seal Circlip (Seeger 52 mm. bore)	1	
228	302257	Rear Casing Joint	1	
—	12105/07	Rear Casing Setscrew ($\frac{5}{16}$ " U.F. \times $\frac{7}{8}$ ")	20	
—	422508/19	Shakeproof Washer ($\frac{5}{16}$ " int.)	20	

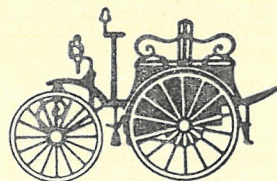
ENGINE

Illus. Ref. No.	Part Number	DESCRIPTION OF PART	No. per set	REMARKS
229	133543	DYNAMO ASSEMBLY (12v., C39, PV2) (22258) ..	1	
—	133543/01	Dynamo Brush (227305)	1 set	
—	133543/02	Dynamo Brush Spring (228159)	1 set	
—	133543/03	Armature (227693)	1	
—	133543/04	Field Coils (227291)	1 set	
—	133543/05	Bushing, Commutator End (227713)	1	
230	133543/10	Frame Bracket, Commutator End (227702)	1	
—	133543/06	Bearing, Driving End (189237)	1	
—	133543/07	Nut, Shaft (180740)	1	
231	133543/08	Oiler (238367)	1	
232	133543/09	Band Cover (227627)	1	
—	425236	Dynamo Bolt (112640)	1	
233	303167	Dynamo Pulley	1	
234	303168	Dynamo Fan	1	
235	302726	Dynamo Support Bracket	1	
—	21107/08	Bracket to Basechamber Bolt ($\frac{7}{16}$ " U.C. \times 1")	2	
—	422508/24	Shakeproof Washer ($\frac{7}{16}$ " int.)	2	
236	424862	Dynamo Mounting Bolt	1	
—	422540/05	D.C. Spring Washer ($\frac{5}{16}$ " I.D.)	1	
—	13305	Slotted Nut ($\frac{5}{16}$ " U.F.)	1	
237	425259	Dynamo Mounting Pin	1	
—	13305	Slotted Nut ($\frac{5}{16}$ " U.F.)	1	
—	422500/02	Dynamo Mounting Washer	1	
238	302727	Adjusting Strip	1	Used with pressed cover only Used with cast cover only
—	302699	Adjusting Strip	1	
—	401883	Adjusting Strip to Dynamo Serrated Washer	1	
—	422508/19	Adjusting Strip to Dynamo Shakeproof Washer ($\frac{5}{16}$ " int.)	1	
—	422540/05	Adjusting Strip to Chain Cover Stud D.C. Spring Washer ($\frac{5}{16}$ " I.D.)	1	
—	13305	Adjusting Strip to Chain Cover Stud Slotted Nut ($\frac{5}{16}$ " U.F.)	1	
239	133544	STARTER MOTOR ASSEMBLY (12v., M418G) (25521) ..	1	
—	133544/01	Starter Motor Brush (255659)	1 set	
—	133544/02	Starter Motor Brush Spring (270004)	1 set	
—	133544/03	Armature (255463)	1	
—	133544/04	Field Coils (255625)	1 set	
—	133544/05	Bushing, Commutator End (255491)	1	
240	133544/08	Frame Bracket, Commutator End (255827)	1	
—	133544/06	Bushing, Driving End (270038)	1	
241	133544/07	Band Cover (255557)	1	
242	133544/09	Pinion Retaining Spring (255728)	1	
243	133544/10	Pinion and Sleeve (255649)	1	
244	133544/11	Main Spring (270889)	1	
245	133544/12	Nut, Shaft (255851)	1	
—	11106/16	Starter Motor Flange Bolt ($\frac{3}{8}$ " U.F. \times 2")	2	
—	13106	Plain Nut ($\frac{3}{8}$ " U.F.)	2	
—	422508/21	Shakeproof Washer ($\frac{3}{8}$ " int.)	2	
246	133545	DISTRIBUTOR ASSEMBLY (12v., DVX4A, Type BS50) (40294)	1	
247	133545/03	Distributor Cover (408369)	1	
—	133545/04	Cover Brush and Spring Assembly (404435)	1	
248	133545/02	Rotor Arm (408355)	1	

Illus. Ref. No.	Part Number	DESCRIPTION OF PART	No. per set	REMARKS
DISTRIBUTOR ASSEMBLY (continued)				
249	133545/05	Condenser (407044)	1	
250	133545/06	Contact Points (407050)	1 set	
251	133545/01	Vacuum Unit (419125)	1	
—	133545/07	Springs, Auto. Advance (416144S)	1 set	
252	405346	Ignition Lever (409933)	1	
253	400341	Driving Collar	1	
—	422524/15	Driving Collar Pin (Mills GPI $\frac{1}{8}$ " \times $\frac{7}{8}$ ")	1	
—	22104/06	Ignition Lever Fixing Screw ($\frac{1}{4}$ " U.C. \times $\frac{3}{4}$ ")	1	
—	422500/01	Plain Washer ($\frac{1}{4}$ " I.D.)	1	
254	420616	Distributor Bracket	1	
—	22105/07	Bracket Screw ($\frac{5}{16}$ " U.C. \times $\frac{7}{8}$ ")	2	
—	422508/19	Shakeproof Washer ($\frac{5}{16}$ " int.)	2	
—	422599	H.T. Lead Rubber Ring	1	
255	303724	COIL (12v., B12) (45012)	1	
—	425257	Coil Terminal Nut (408120)	1	
—	425258	Coil Terminal Nut Spring Washer (185015)	1	
—	12104/04	Coil Fixing Screw ($\frac{1}{4}$ " U.F. \times $\frac{1}{2}$ ")	2	} Used with pressed tappet cover only
—	22104/04	Coil Fixing Screw ($\frac{1}{4}$ " U.C. \times $\frac{1}{2}$ ")	2	
—	422508/15	Shakeproof Washer ($\frac{1}{4}$ " int.)	2	} Used with cast tappet cover only
256	298870	SPARKING PLUG (Lodge CBI4)	4	} Alternatives
—	424894	SPARKING PLUG (Champion NA8D)	4	
257	425078	Weatherproof Cap (Lodge M6)	4	} Alternatives
—	424895	Weatherproof Cap (Champion W/C 548/1)	4	
—	133387	CARBURETTOR ASSEMBLY COMPLETE (C/SI291)	1	Home only
—	134160	CARBURETTOR ASSEMBLY COMPLETE (CI333)	1	Export only
258	133387/01	Strangler Flap (013545)	1	
259	133387/02	Choke Tube (No. 27) (013736)	1	
260	133387/03	Strangler Control Bracket (014637)	1	
261	133387/04	Bracket Clip (010424)	1	
—	133387/05	Choke Tube Fixing Screw (06016)	1	
262	133387/06	Strangler Spring (013539)	1	
263	133387/07	Strangler Lever (013866)	1	
264	133387/08	Strangler Lever Swivel Screw (07949)	1	
265	133387/09	Strangler Lever Bearing (013104)	1	
266	133387/10	Strangler Spindle (013542)	1	
267	133387/11	Swivel Interconnection Screw (010351)	1	
268	133387/12	Air Regulating Screw (09845)	1	
269	133387/13	Regulating Screw Spring (09846)	1	
270	133387/14	Throttle Barrel Fixing Bolt (012316)	3	
271	133387/15	Throttle Barrel to Body Gasket (013341)	1	
272	133387/16	Throttle Barrel Assembly (014866)	1	
273	133387/17	Floating Lever and Interconnection Rod Assembly (014106)	1	
274	133387/18	Throttle Stop Plate (013958)	1	
275	133387/19	Throttle Lever (014639)	1	
276	133387/20	Throttle Spindle Nut (05677)	1	
277	133387/21	Emulsion Block (014381)	1	
278	133387/22	Emulsion Block Gasket (013367)	1	
279	133387/23	Carburettor Bowl (013715)	1	

ENGINE

Illus. Ref. No.	Part Number	DESCRIPTION OF PART	No. per set	REMARKS
CARBURETTOR ASSEMBLY COMPLETE (continued)				
280	133387/24	Float Arm Assembly (013362)	1	
281	133387/25	Float (08869)	1	
282	133387/26	Compensating Jet (No. 85) (06620)	1	
283	133387/27	Jet Fibre Washer (16828)	1	
284	133387/28	Main Jet (No. 85) (06605)	1	Home only
	134160/28	Main Jet (No. 80) (06605)	1	Export only
285	133387/30	Jet Fibre Washer (16709)	1	
286	133387/31	Pump Check Valve (L.1297)	1	
287	133387/32	Screw over Capacity Well (No. 4.0) (08313)	1	
288	133387/33	Slow Running Jet (No. 55) (06798)	1	
289	133387/34	Ball Valve (013364)	1	
290	133387/35	Pump Piston (010187)	1	
291	133387/36	Pump Piston Spring (010318)	1	
292	133387/37	Throttle Stop Screw (05923)	1	
293	133387/38	Stop Screw Spring (04611)	1	
294	133387/39	Needle Seating (No. 2 mm.) (09121)	1	
295	133387/40	Needle Seating Washer (09619)	2	
296	133387/41	Float Chamber Cover Gasket (010142)	1	
297	133387/42	Bowl to Barrel Fixing Screw (jet key type) (013169)	1	
298	133387/43	Bowl to Barrel Fixing Screw (plain type) (07857)	1	
299	133387/44	Filter Support (05702)	1	
300	133387/45	Filter Gauze (05701)	1	
301	133387/46	Filter Plug Fibre Washer (06101)	2	
302	133387/47	Petrol Elbow ($\frac{5}{16}$ ") (05669)	1	
303	133387/48	Filter Plug (09036)	1	
304	133387/49	Pump Link (010140)	1	
305	133387/50	Pump Control Lever (013538)	1	
306	133387/51	Pump Rod (08861)	1	
307	133387/52	Pump Control Lever Bearing Plate (014345)	1	
308	133387/53	Spring (automatic) (013785)	1	
309	133387/54	Spring Carrier (013544)	1	
310	133387/55	Economy Diaphragm Gasket (012441)	2	
311	133387/56	Diaphragm Assembly (012440)	1	
312	133387/57	Economy Spring (010452)	1	
313	133387/58	Economy Valve Cover (012400)	1	
—	302798	Carburettor Shield	1	
314	133094	SUCTION PIPE ASSEMBLY (carburettor to distributor)	1	
315	423439	Union (to carburettor)	1	
—	423438	Union Washer	1	
—	22105/04	Suction Pipe Clip Screw ($\frac{5}{16}$ " U.C. \times $\frac{1}{2}$ ")	1	
—	422508/19	Shakeproof Washer ($\frac{5}{16}$ " int.)	1	



DANSK VETERANBIL KLUB

It is requested that wherever possible, private owners order replacement parts from the nearest Lanchester distributor or dealer, who will supply them with genuine Lanchester factory replacements. Names and addresses of distributors and dealers will be supplied on request.

GEARBOX

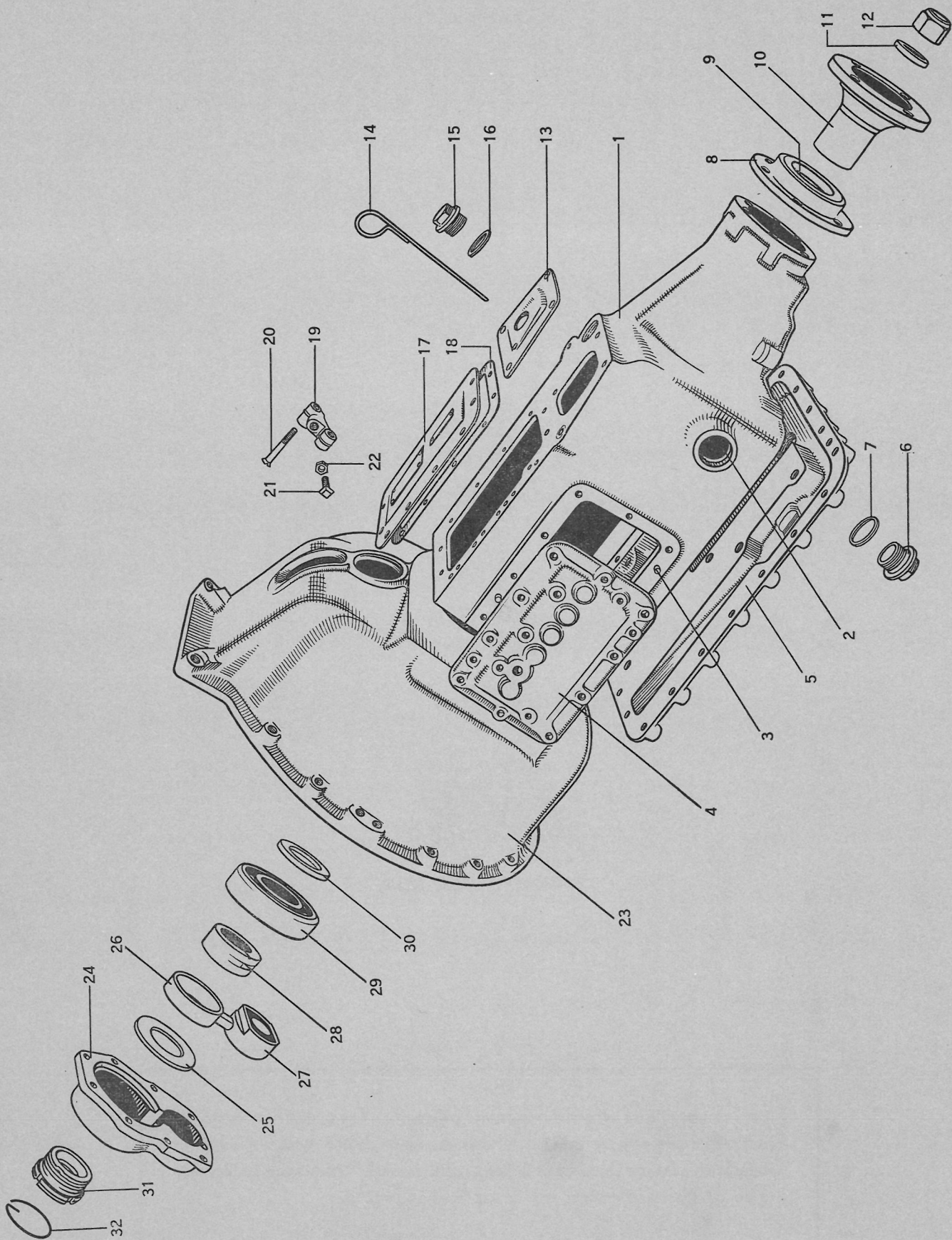


Illustration Reference Nos. 1-32

GEARBOX

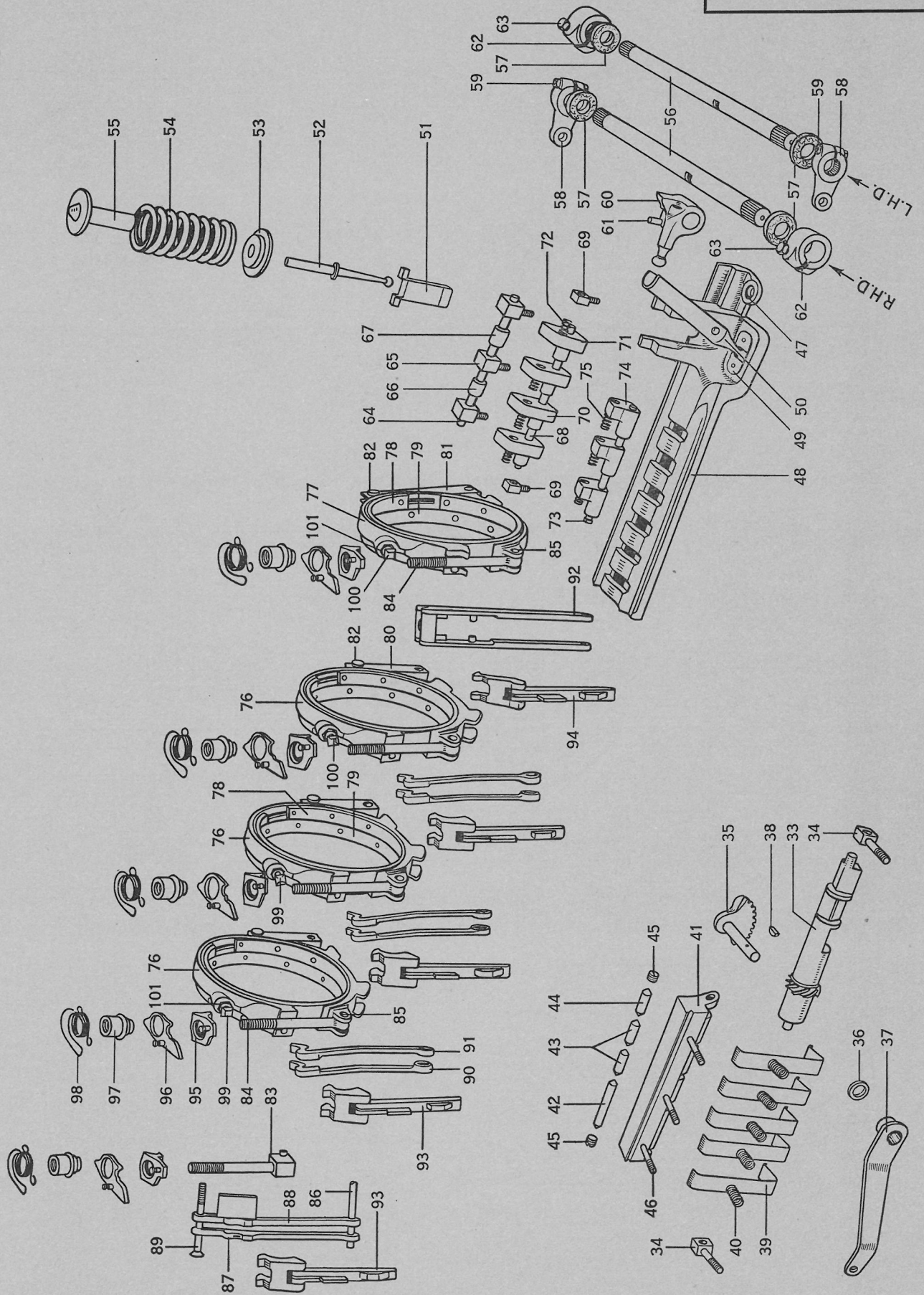


Illustration Reference Nos. 33 - 101

GEARBOX

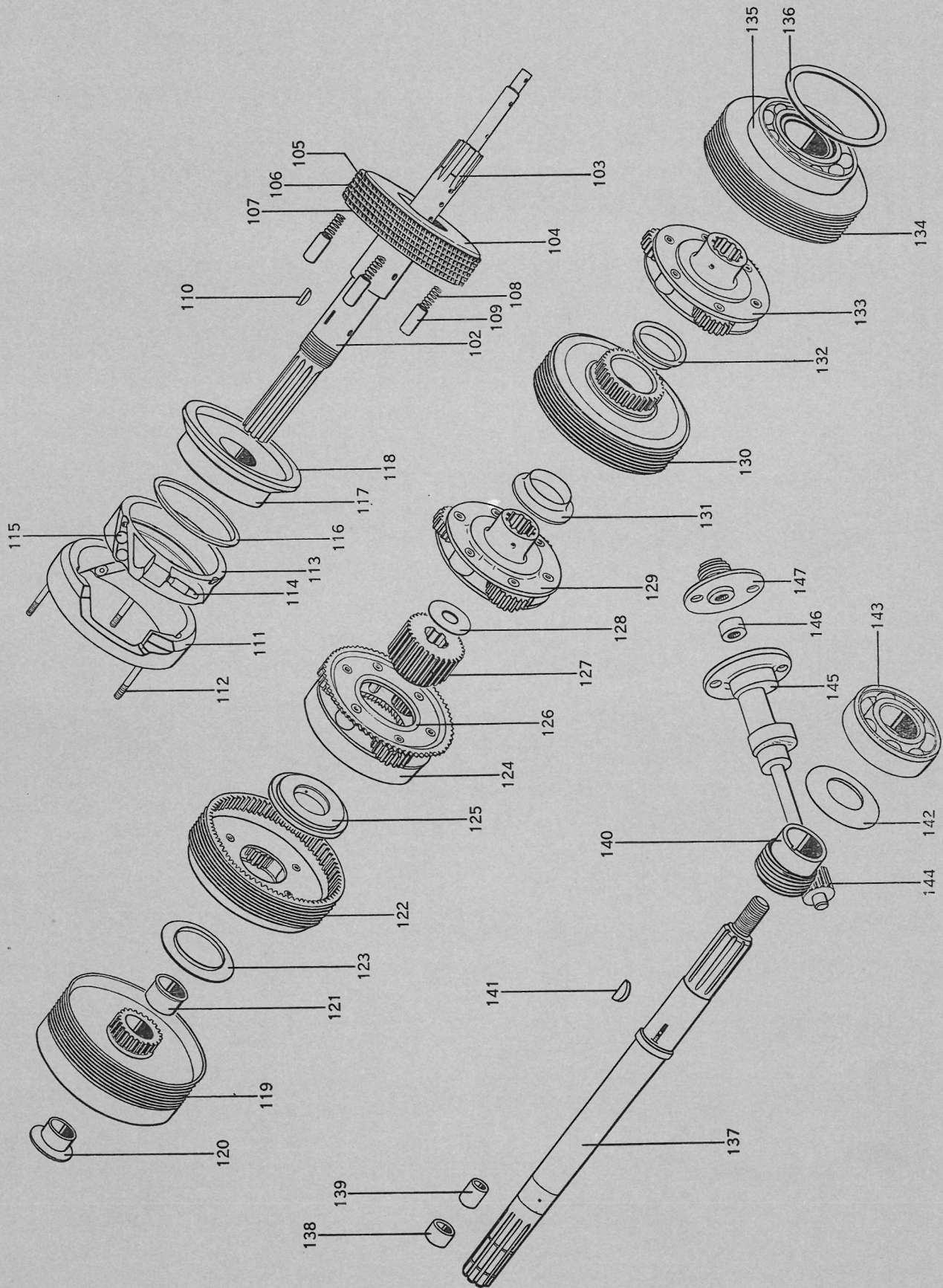


Illustration Reference Nos. 102 - 147

GEARBOX

Illus. Ref. No.	Part Number	DESCRIPTION OF PART	No. per set	REMARKS
—	DL.35285	GEARBOX ASSEMBLY COMPLETE	1	
1	302721	GEARBOX SHELL ASSEMBLY	1	
2	422874	Bus Bar Cross Shaft Bush	2	
—	422525/48	Adjuster Tail Pin (forward gear)	4	
—	422525/45	Adjuster Tail Pin (reverse gear)	1	
—	405011	Speedo. Pinion Thrust Piece	1	
3	422526/40	Bottom and Selector Cover Dowel	4	
4	132996	SELECTOR COVER	1	
—	21104/08	Cover Bolt ($\frac{1}{4}$ " U.C. \times 1")	10	
—	422508/15	Shakeproof Washer ($\frac{1}{4}$ " int.)	10	
5	132998	BOTTOM COVER	1	
—	22104/08	Cover Screw ($\frac{1}{4}$ " U.C. \times 1")	24	
—	422508/15	Shakeproof Washer ($\frac{1}{4}$ " int.)	24	
6	422791	Drain Plug	1	
7	422506/36	C and A Washer	1	
8	302310	REAR COVER	1	
—	22104/06	Cover Screw ($\frac{1}{4}$ " U.C. \times $\frac{3}{4}$ ")	6	
—	422508/15	Shakeproof Washer ($\frac{1}{4}$ " int.)	6	
9	423200/01	Rear Cover Oil Seal (Perfect 237116)	1	
10	299732	COUPLING FLANGE	1	
11	416701	Coupling Flange Washer	1	
12	422513/11	Simmonds Nut ($\frac{5}{8}$ " U.F.)	1	
13	416956	BUS BAR SPRING COVER ASSEMBLY	1	
—	422901	Cover Breather Rivet	1	
—	22105/08	Cover Screw ($\frac{5}{16}$ " U.C. \times 1")	4	
14	301671	Dipstick	1	
15	422791	Filler Plug	1	
16	422506/36	C and A Washer	1	
17	302307	TOP COVER	1	
—	22104/04	Cover Screw ($\frac{1}{4}$ " U.C. \times $\frac{1}{2}$ ")	12	
—	422508/15	Shakeproof Washer ($\frac{1}{4}$ " int.)	12	
18	302309	Top Cover Joint	1	
19	302355	Adjusting Screw Bracket (4th gear)	1	
20	11304/14	Bracket Screw ($\frac{1}{4}$ " U.F. \times $1\frac{3}{4}$ " C'sk.)	1	
21	422303	Adjusting Screw (4th gear)	1	
22	13104	Locknut ($\frac{1}{4}$ " U.F.)	1	
23	302317	FLYWHEEL HOUSING AND FRONT COVER ASSEMBLY	1	
—	299735	Front Cover Ballrace Housing	1	
—	21105/10	Housing, Gearbox Support Plate and Basechamber Bolt ($\frac{5}{16}$ " U.C. \times $1\frac{1}{4}$ ")	2	
—	21105/11	Housing, Gearbox Support Plate and Basechamber Bolt ($\frac{5}{16}$ " U.C. \times $1\frac{3}{8}$ ")	6	
—	21105/06	Housing and Gearbox Support Plate Bolt ($\frac{5}{16}$ " U.C. \times $\frac{3}{4}$ ")	6	

GEARBOX

Illus. Ref. No.	Part Number	DESCRIPTION OF PART	No. per set	REMARKS
		GEARBOX ASSEMBLY COMPLETE (continued)		
—	422508/19	Shakeproof Washer ($\frac{5}{16}$ " int.)	14	
—	22106/08	Housing and Gearbox Screw ($\frac{3}{8}$ " U.C. \times 1")	8	
—	422508/21	Shakeproof Washer ($\frac{3}{8}$ " int.)	8	
—	22104/07	Housing and Gearbox Screw ($\frac{1}{4}$ " U.C. \times $\frac{7}{8}$ ")	7	
—	422508/15	Shakeproof Washer ($\frac{1}{4}$ " int.)	7	
24	299726	OIL PUMP COVER	1	
—	22104/07	Cover Screw ($\frac{1}{4}$ " U.C. \times $\frac{7}{8}$ ")	6	
—	22104/10	Cover Screw ($\frac{1}{4}$ " U.C. \times 1 $\frac{1}{4}$ ")	2	
—	422508/15	Shakeproof Washer ($\frac{1}{4}$ " int.)	8	
25	268917	Driving Shaft Oil Thrower	1	
26	299724	Oil Pump Plunger	1	
27	299725	Oil Pump Oscillating Cylinder	1	
28	299723	Oil Pump Eccentric	1	
29	423155/08	Driving Shaft Ball Bearing (in front cover—MS II)	1	
30	404131	Ball Bearing Adjusting Washer	1	
31	422317	Driving Shaft Nut	1	
32	268919	Driving Shaft Nut Locking Ring	1	
33	302353	SELECTOR CAMSHAFT	1	
34	422318	Camshaft Bearing	2	
—	422512/05	Simmonds Nut ($\frac{1}{4}$ " U.F.)	2	
—	422500/01	Plain Washer ($\frac{1}{4}$ " I.D.)	2	
35	417210	SELECTOR SHAFT AND QUADRANT	1	
36	402371	Shaft Washer	1	
37	417211	Selector Lever	1	
38	422510/11	Lever Key	1	
—	422524/14	Lever Pin (Mills GPI $\frac{1}{8}$ " \times $\frac{3}{4}$ ")	1	
39	400139	Cam Following Plate	5	
40	259945	Plate Spring	5	
41	422320	LOCKING BAR ASSEMBLY	1	
42	422319	Front Plunger	1	
43	262013	Inter. Plunger	2	
44	262014	Rear Plunger	1	
45	259876	Plug	2	
46	34004/15	Stud ($\frac{1}{4}$ " U.F./U.C. \times 1 $\frac{7}{8}$ ")	3	
—	422512/05	Simmonds Nut ($\frac{1}{4}$ " U.F.)	3	
—	422500/01	Plain Washer ($\frac{1}{4}$ " I.D.)	3	
47	302311	BUS BAR FULCRUM BRACKET	1	
—	11105/09	Bracket Bolt ($\frac{5}{16}$ " U.F. \times 1 $\frac{1}{8}$ ")	1	
—	11105/12	Bracket Bolt ($\frac{5}{16}$ " U.F. \times 1 $\frac{1}{2}$ ")	3	
—	13105	Plain Nut ($\frac{5}{16}$ " U.F.)	4	
—	422500/02	Plain Washer ($\frac{5}{16}$ " I.D.)	4	
48	132997	BUS BAR	1	
49	403474	Bus Bar Operating Rod Retaining Plate	1	
—	422538/07	Retaining Plate Rivet	2	
50	403473	Bus Bar Operating Rod	1	

GEARBOX

Illus. Ref. No.	Part Number	DESCRIPTION OF PART	No. per set	REMARKS
GEARBOX ASSEMBLY COMPLETE (continued)				
51	285880	Bus Bar Bucket	1	
52	424880	Bus Bar Spring Inner Guide	1	
53	424881	Spring Guide Collar	1	
54	301226	Bus Bar Spring	1	
55	303911	Bus Bar Spring Outer Guide	1	
56	302356	BUS BAR OPERATING X SHAFT	1	Up to Chassis No. 65079
	304036	BUS BAR OPERATING X SHAFT	1	From Chassis No. 65080
57	425067	X Shaft Felt Oil Seal	2	Up to Chassis No. 65079
—	425186	X Shaft Oil Seal	2	} From Chassis No. 65080
—	422500/08	X Shaft Thrust Washer	2	
58	422291	X Shaft Outside Lever	1	
59	11104/12	Lever Bolt ($\frac{1}{4}$ " U.F. \times $1\frac{1}{2}$ ")	1	
—	13104	Plain Nut ($\frac{1}{4}$ " U.F.)	1	
—	422508/15	Shakeproof Washer ($\frac{1}{4}$ " int.)	1	
60	302676	X Shaft Inside Lever	1	Up to Chassis No. 65079
	304039	X Shaft Inside Lever	1	From Chassis No. 65080
61	420932	Lever Cotter Pin	1	Up to Chassis No. 65079
	425068	Lever Cotter Pin	1	From Chassis No. 65080
—	422512/05	Simmonds Nut ($\frac{1}{4}$ " U.F.)	1	Up to Chassis No. 65079
—	422512/06	Simmonds Nut ($\frac{5}{16}$ " U.F.)	1	From Chassis No. 65080
—	422500/01	Plain Washer ($\frac{1}{4}$ " I.D.)	1	Up to Chassis No. 65079
—	422500/02	Plain Washer ($\frac{5}{16}$ " I.D.)	1	From Chassis No. 65080
62	422292	X Shaft Clamp	1	
63	11104/09	Clamp Bolt ($\frac{1}{4}$ " U.F. \times $1\frac{1}{8}$ ")	1	
—	422508/15	Shakeproof Washer ($\frac{1}{4}$ " int.)	1	
64	422344	INTERNAL BAND LINK EYEBOLT ROD	1	
65	422304	Rod Eyebolt	3	
—	13105	Plain Nut ($\frac{5}{16}$ " U.F.)	3	
—	422508/19	Shakeproof Washer ($\frac{5}{16}$ " int.)	3	
66	262062	Distance Piece (3rd and 2nd link)	1	
67	273999	Distance Piece (1st and reverse link)	1	
68	422343	CENTRALISER ROD (right hand)	1	
69	422309	Rod Eyebolt	2	
—	13104	Plain Nut ($\frac{1}{4}$ " U.F.)	2	
—	422508/15	Shakeproof Washer ($\frac{1}{4}$ " int.)	2	
70	262003	Centraliser (forward)	3	
71	273930	Centraliser (reverse)	1	
72	413702	Centraliser Spring	4	
73	422342	CENTRALISER ROD (left hand)	1	
74	262002	Centraliser (forward)	3	
75	413702	Centraliser Spring	3	

GEARBOX

Illus. Ref. No.	Part Number	DESCRIPTION OF PART	No. per set	REMARKS
		GEARBOX ASSEMBLY COMPLETE (continued)		
76	302313	INNER AND OUTER BRAKE BAND ASSEMBLY (forward)	3	
77	302316	INNER AND OUTER BRAKE BAND ASSEMBLY (reverse)	1	
78	279278	Inner Brake Band Liner	4	
—	422532/14	Liner Rivet	36	
—	285396	Liner Rivet	8	
79	279280	Outer Brake Band Liner	4	
—	422532/17	Liner Rivet	36	
—	285398	Liner Rivet	8	
80	262040	INTERNAL BAND LINK (forward)	3	
81	416918	INTERNAL BAND LINK (reverse)	1	
82	261905	Link Pin	4	
83	422312	PULL ROD (4th gear)	1	
84	422314	PULL ROD (1st, 2nd, 3rd and reverse gear)	4	
85	262061	Pull Rod Pin (1st, 2nd, 3rd and reverse gear)	4	
86	422305	HOOK FULCRUM ROD	1	
87	262052	Hook, (front, 4th gear)	1	
88	422307	Hook (rear, 4th gear)	1	
89	422308	Hook Bolt	1	
—	13404	Slotted Nut ($\frac{1}{4}$ " U.F.)	1	
90	262030	Hook (front, 1st, 2nd and 3rd gear)	3	
91	262031	Hook (rear, 1st, 2nd and 3rd gear)	3	
92	401717	Hook (reverse gear)	1	
93	262066	OPERATING STRUT AND THRUST PAD ASSEMBLY (forward gear)	4	
—	262528	Strut Spring	4	
—	262529	Strut Plunger	4	
—	262056	Plunger Pin	4	
94	423251	OPERATING STRUT AND THRUST PAD ASSEMBLY (reverse gear)	1	
—	262528	Strut Spring	1	
—	262529	Strut Plunger	1	
—	401711	Plunger Pin	1	
95	262058	AUTOMATIC ADJUSTER TABLE AND PIN	5	
96	262059	Automatic Adjuster Ring and Pin	5	
97	422313	Automatic Adjuster Nut	5	
98	261967	Automatic Adjuster Spring	5	
99	422316	Adjusting Screw (2nd and 3rd gear band)	2	
100	422303	Adjusting Screw (1st and reverse gear band)	2	
101	13104	Locknut ($\frac{1}{4}$ " U.F.)	4	

GEARBOX

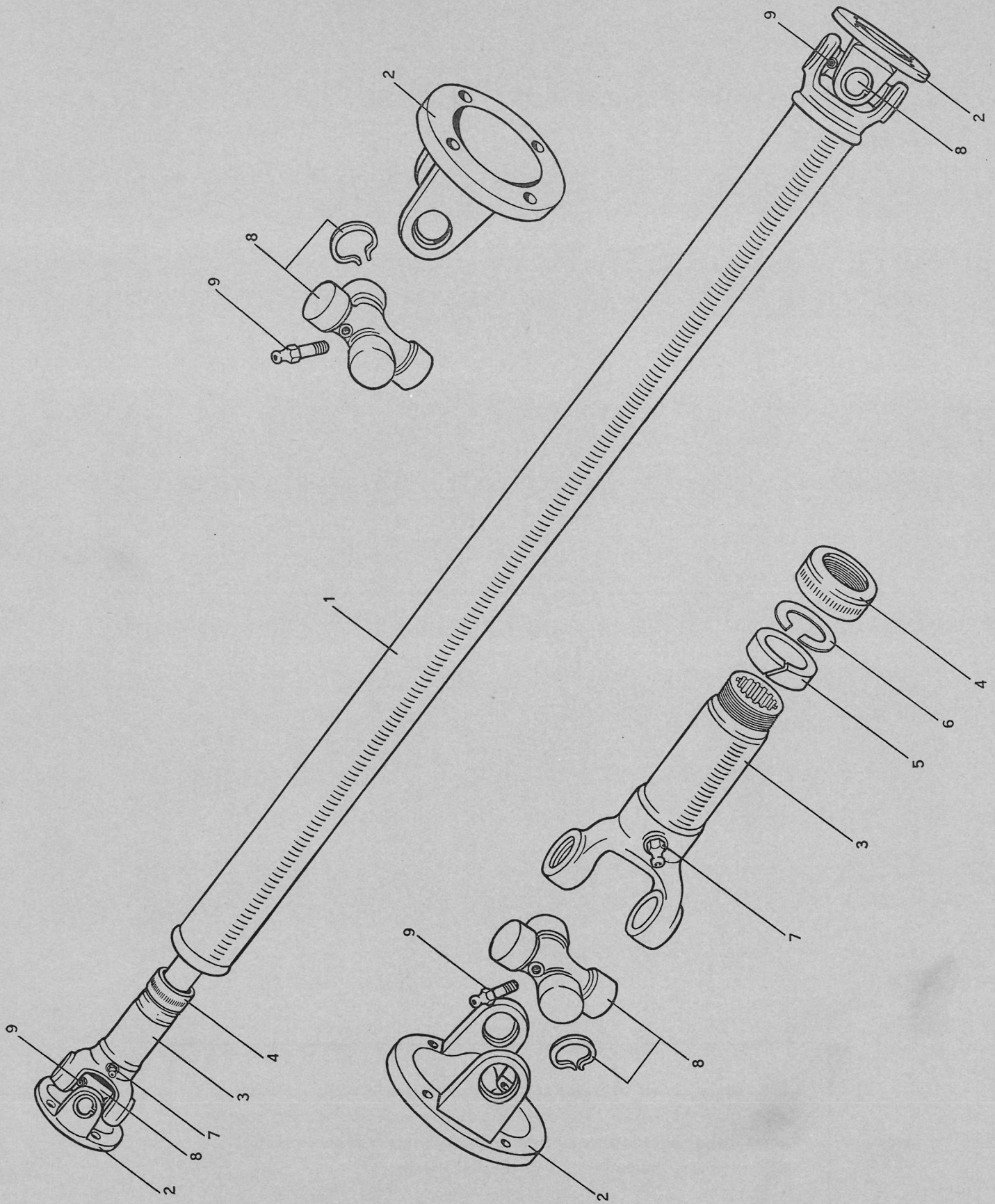
Illus. Ref. No.	Part Number	DESCRIPTION OF PART	No. per set	REMARKS
		GEARBOX ASSEMBLY COMPLETE (continued)		
		DRIVING SHAFT ASSEMBLY	1	
102	302935	Driving Shaft	1	
103	302320	Driving Shaft Plug	1	
—	420233	Inner Gear Ring	1	
—	302321	Rear Clutch Plate	1	
104	268491	Rivet	6	
—	422534/62	Clutch Outer Plate	6	
105	268504	Clutch Inner Plate	6	
106	268492	Front Clutch Plate	1	
107	268494	Rivet	3	
—	422534/30	Clutch Return Spring	6	
108	268091	Clutch Return Spring Plunger	6	
109	420235	Driving Shaft Key (for oil pump eccentric)	1	
110	422510/13			
		4th GEAR OUTER MEMBER ASSEMBLY	1	
111	302319	Outer Member Stud ($\frac{1}{4}$ " U.C./U.F. $\times 2$ ")	3	
112	34004/16	Simmonds Nut ($\frac{1}{4}$ " U.F.)	3	
—	422512/05	Plain Washer ($\frac{1}{4}$ " I.D.)	3	
—	422500/01			
		4th GEAR ACTUATING RING ASSEMBLY	1	
113	268529	Actuating Ring Operating Pin	1	
114	259783	Actuating Ring Ball	6	
115	423011	Actuating Ring Thrust Ring	1	
116	262925			
117	423150/10	Clutch Thrust Bearing (No. 145)	1	
		CLUTCH SLIDING MEMBER AND BUSH	1	
118	422341			
		3rd GEAR BRAKE DRUM AND SUN WHEEL	1	
119	302325	Sun Wheel Bush (front)	1	
120	270524	Sun Wheel Bush (rear)	1	
121	270525			
		3rd GEAR PLANETS, CARRIER AND 2nd GEAR BRAKE DRUM	1	
122	302329			
123	261805	2nd Gear Brake Drum Bush	1	
		2nd GEAR PLANETS, CARRIER AND 3rd GEAR ANNULUS	1	
124	302932			
125	302334	3rd Gear Annulus and Carrier Bush	1	
126	261813	2nd Gear Planet Carrier Bush	1	
		1st AND 2nd GEAR SUN WHEEL	1	
127	302928	Sun Wheel Thrust Washer	1	
128	261819			
		1st GEAR PLANETS AND CARRIER	1	
129	302931			
		1st GEAR BRAKE DRUM AND REVERSE SUN WHEEL	1	
130	302342			
131	302343	1st Gear Brake Drum Bush (front)	1	
132	302344	1st Gear Brake Drum Bush (rear)	1	
		REVERSE PLANETS AND CARRIER	1	
133	302347			

GEARBOX

Illus. Ref. No.	Part Number	DESCRIPTION OF PART	No. per set	REMARKS
GEARBOX ASSEMBLY COMPLETE (continued)				
134	302349	REVERSE GEAR BRAKE DRUM AND BUSH ASSEMBLY	1	} Alternatives
—	285915	Reverse Gear Brake Drum Bush	1	
135	423150/10	Reverse Gear Brake Drum Bearing (No. 145)	1	
136	416982-1	Running Gear Adjusting Washer (25 S.W.G.)	1	
	416982-2	Running Gear Adjusting Washer (20 S.W.G.)	1	
	416982-3	Running Gear Adjusting Washer (16 S.W.G.)	1	
137	302351	DRIVEN SHAFT ASSEMBLY	1	} See under Frame and Fittings Section
138	422461	Driven Shaft Bush (front)	1	
139	422462	Driven Shaft Bush (rear)	1	
140	302349	Driven Shaft Speedometer Gear	1	
141	422510/11	Speedometer Gear Key	1	
142	261867	Driven Shaft Oil Thrower	1	
143	423155/08	Driven Shaft Ball Bearing (MS11)	1	
144	304033	SPEEDOMETER DRIVE PINION (20T)	1	
145	303912	Speedometer Pinion Bracket	1	
146	423200/10	Speedometer Pinion Oil Seal	1	
147	425002	Pinion Bracket Adaptor and Plate	1	
—	22104/06	Pinion Bracket Screw ($\frac{1}{4}$ " U.C. \times $\frac{3}{4}$ ")	2	
—	422508/15	Shakeproof Washer ($\frac{1}{4}$ " int.)	2	
—	—	Gearbox Rear Mounting Details	—	

It is requested that wherever possible, private owners order replacement parts from the nearest Lanchester distributor or dealer, who will supply them with genuine Lanchester factory replacements. Names and addresses of distributors and dealers will be supplied on request.

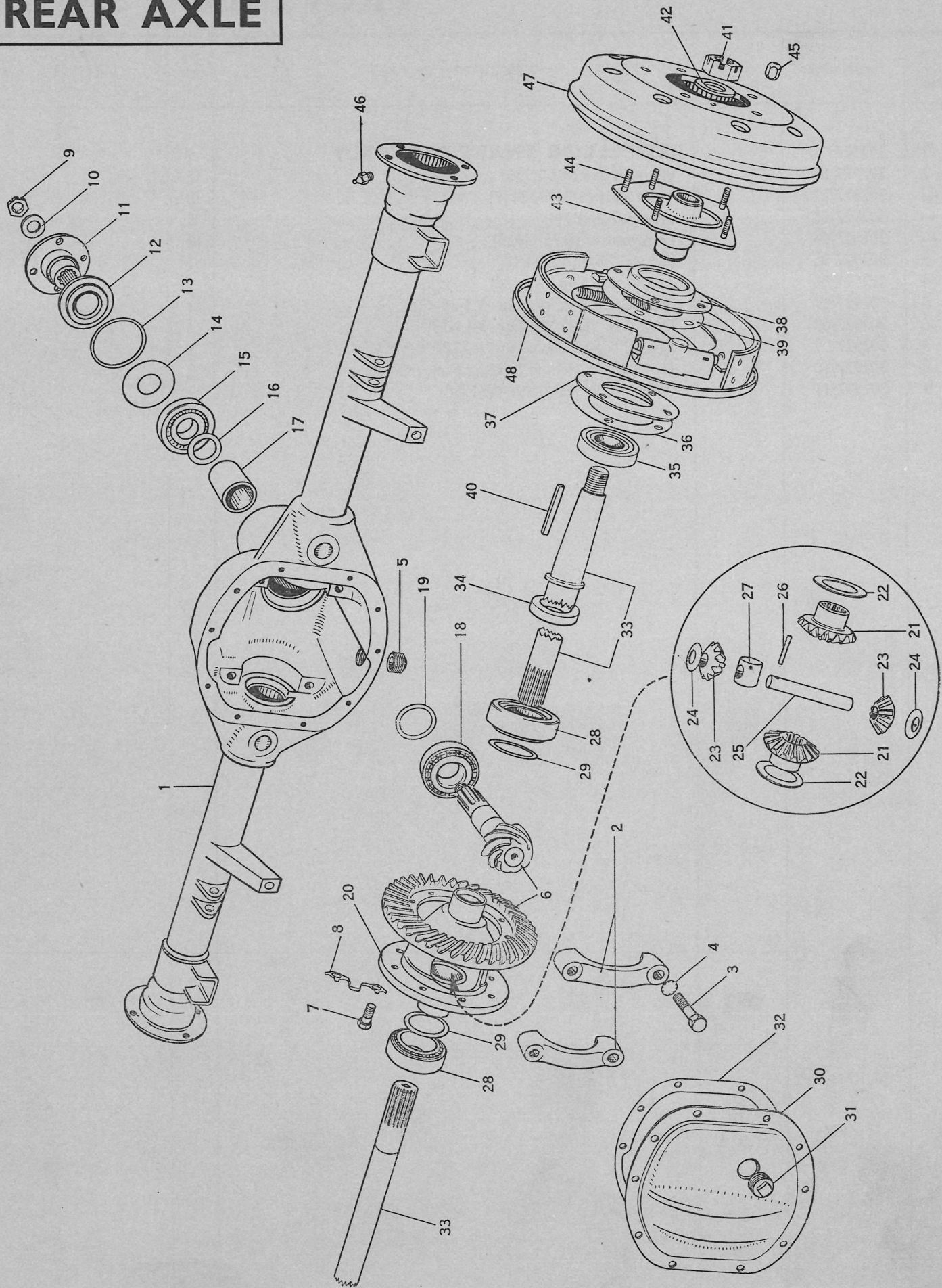
PROPELLOR SHAFT



PROPELLOR SHAFT

Illus. Ref. No.	Part Number	DESCRIPTION OF PART	No. per set	REMARKS
1	302927	PROPELLOR SHAFT ASSEMBLY	1	
2	302927/01	Flange Yoke (K2-2-239)	2	
—	302927/02	Yoke Bolt (6-73-GB2117)	8	
—	302927/03	Nut (6-74-GB11)	8	
—	302927/04	Lockwasher (6-75-GB39)	12	
3	302927/05	Sleeve Yoke (K2-3-68)	1	
4	302927/06	Yoke Dust Cap (3-14-39)	1	
5	302927/07	Dust Cap Cork Washer (K3-16-43)	1	
6	302927/08	Dust Cap Steel Washer (3-15-33)	1	
7	302927/09	Sleeve Yoke Lubricator (94-GB2204)	1	
8	302927/10	Journal and Needle Bearing Pack (K5-L4)	2	
9	302927/11	Journal Lubricator (94-GB1598)	2	

REAR AXLE



REAR AXLE

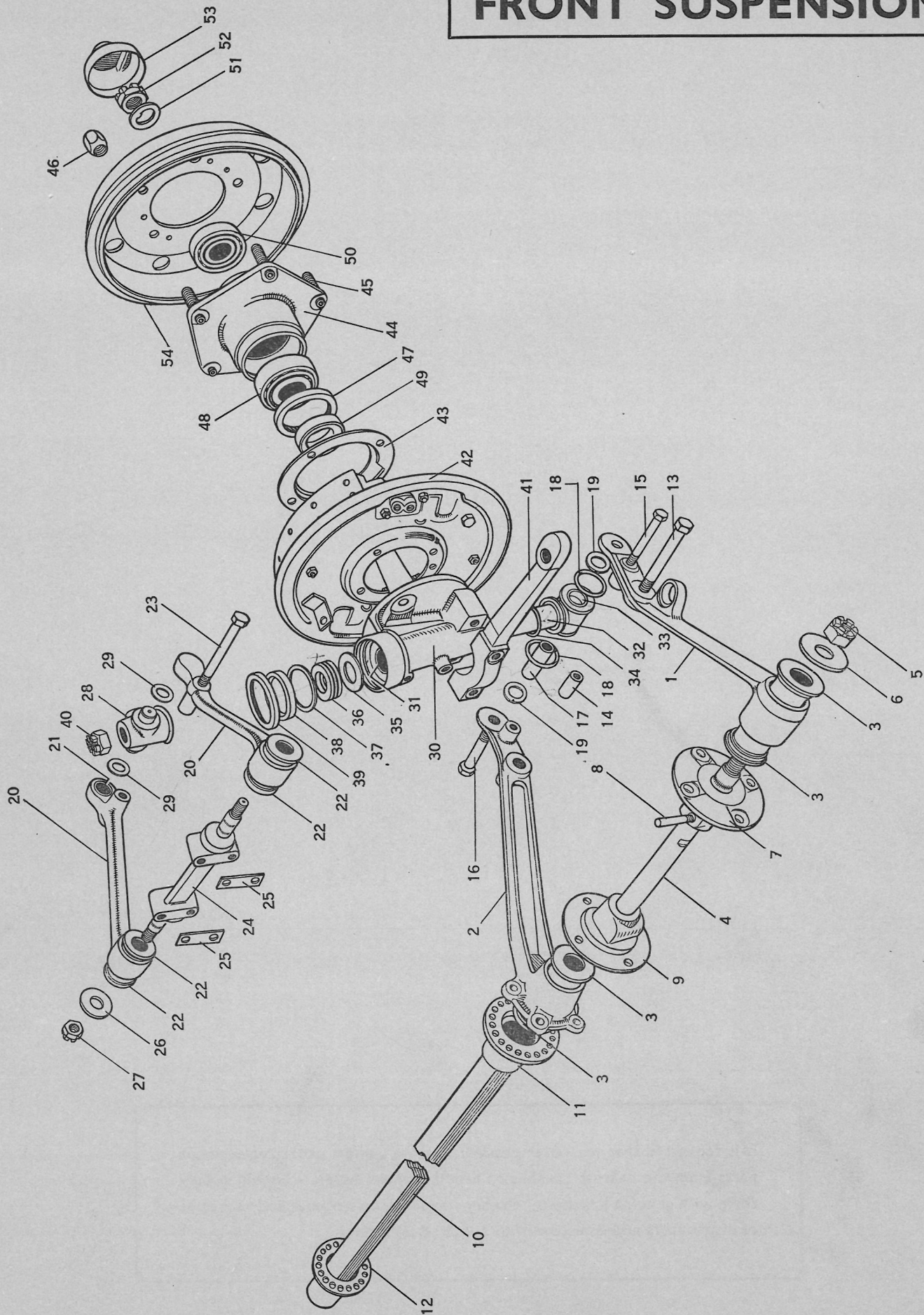
Illus. Ref. No.	Part Number	DESCRIPTION OF PART	No. per set	REMARKS
—	133390	HYPOID REAR AXLE ASSEMBLY	1	
1	133390/01	AXLE CARRIER TUBE ASSEMBLY (3HA-101-8) ..	1	
2	133390/02	Differential Case Bearing Cap (3HA-011)	2	
3	133390/03	Bearing Cap Bolt (8-73-3136)	4	
4	133390/04	Lockwasher (8-75-GB39)	4	
5	133390/19	Carrier Tube Drain Plug (HA-059)	1	
6	133390/05	DRIVE GEAR AND PINION ASSEMBLY (9/41 ratio) (3HA-105-7)	1	
7	133390/06	Drive Gear Bolt (3HA-075-2)	8	
8	133390/07	Lockstrap (3HA-074-1)	4	
9	133390/08	Drive Pinion Nut (12-74-121)	1	
10	133390/09	Drive Pinion Washer (12-75-GB29)	1	
11	133390/20	Drive Pinion Flange and Dust Shield (2HA-083)	1	
12	133390/21	Drive Pinion Oil Seal (2HA-019)	1	
13	133390/22	Oil Seal Gasket (2HA-020)	1	
14	133390/23	Drive Pinion Oil Slinger (2HA-036)	1	
15	133390/24	Drive Pinion Front Bearing (2HA-022)	1	
16	133390/25	Front Bearing Shim (.003") (2HA-039)	A.R.	} Alternatives
	133390/26	Front Bearing Shim (.005") (2HA-040)	A.R.	
	133390/27	Front Bearing Shim (.010") (2HA-041)	A.R.	
	133390/28	Front Bearing Shim (.030") (2HA-042)	A.R.	
17	133390/29	Pinion Bearing Spacer (2HA-018)	1	
18	133390/30	Drive Pinion Rear Bearing (2HA-023)	1	
19	133390/31	Rear Bearing Shim (.003") (2HA-043)	A.R.	} Alternatives
	133390/32	Rear Bearing Shim (.005") (2HA-044)	A.R.	
	133390/33	Rear Bearing Shim (.010") (2HA-045)	A.R.	
—	133390/10	DIFFERENTIAL CASE ASSEMBLY (3HA-082-1) ..	1	
20	133390/11	Differential Case (3HA-006-1)	1	
21	133390/12	Differential Case Side Gear (3HA-007-3)	2	
22	133390/13	Side Gear Thrust Washer (3HA-038)	2	
23	133390/14	Differential Pinion (3HA-008-3)	2	
24	133390/15	Differential Pinion Thrust Washer (3HA-037)	2	
25	133390/16	Differential Pinion Shaft (3HA-012)	1	
26	133390/17	Pinion Shaft Lockpin (2HA-013)	1	
27	133390/18	Axle Shaft Spacer (3HA-033-1)	1	
28	133390/34	Differential Case Bearing (3HA-024)	2	
29	133390/35	Bearing Shim (.003") (2HA-046)	A.R.	} Alternatives
	133390/36	Bearing Shim (.005") (2HA-047)	A.R.	
	133390/37	Bearing Shim (.010") (2HA-048)	A.R.	
	133390/38	Bearing Shim (.030") (2HA-049)	A.R.	
30	133390/39	Carrier Tube Cover (3H A-010)	1	
31	133390/19	Filler Plug (HA-059)	1	
32	133390/40	Cover Gasket (3H A-026)	1	
—	133390/41	Cover Screw (5A-73-110)	10	
—	133390/42	Lockwasher (5-75-19)	10	

REAR AXLE

Illus. Ref. No.	Part Number	DESCRIPTION OF PART	No. per set	REMARKS
HYPOID REAR AXLE ASSEMBLY (continued)				
33	133390/43	AXLE SHAFT (3H A-005-13)	2	
34	133390/44	Axle Shaft Oil Seal (3HA-027)	2	
35	133390/45	Rear Hub Bearing (3HA-025-3)	2	
36	133390/46	Hub Bearing Shim (.003") (HA-050-2)	A.R.	} Alternatives
	133390/47	Hub Bearing Shim (.005") (HA-051-2)	A.R.	
	133390/48	Hub Bearing Shim (.010") (HA-052-2)	A.R.	
	133390/49	Hub Bearing Shim (.030") (HA-053-2)	A.R.	
37	133390/50	Hub Bearing Retainer Plate (3HA-035-2)	2	
—	133390/51	Retainer Plate, Axle Tube and Brake Back Plate Bolt (6A-73-1118)	8	
—	133390/52	Nut (6-74-11)	8	
—	133390/53	Lockwasher (6-75-GB49)	8	
38	133390/54	Rear Hub Oil Seal (HA-057-1)	2	
39	133390/55	Oil Seal Gasket (HA-031-4)	2	
40	133390/56	Axle Shaft Key (3HA-029-1)	2	
41	133390/57	Axle Shaft Nut (14A-74-11)	2	
42	133390/58	Axle Shaft Washer (14A-73-GB19)	2	
43	303000	REAR HUB AND WHEEL STUD ASSEMBLY	2	
44	423103	Wheel Stud	10	
45	423104	Wheel Stud Nut	10	
46	422521/29	Rear Hub Bearing Grease Nipple (H29 $\frac{1}{8}$ " gas)	2	
47	132978	BRAKE DRUM	2	
—	12305/05	Brake Drum Setscrew ($\frac{5}{16}$ " U.F. \times $\frac{5}{8}$ " C'sk.)	4	
48	—	REAR BRAKE ASSEMBLY	—	} See under Brake Op. Gear Section

It is requested that wherever possible, private owners order replacement parts from the nearest Lanchester distributor or dealer, who will supply them with genuine Lanchester factory replacements. Names and addresses of distributors and dealers will be supplied on request.

FRONT SUSPENSION



FRONT SUSPENSION

Illus. Ref. No.	Part Number	DESCRIPTION OF PART	No. per set	REMARKS
1	133525	BOTTOM TRANSVERSE LINK (front)	2	
2	133526	BOTTOM TRANSVERSE LINK (rear)	2	
3	422641	Bottom Link Metalastik Bush	8	
4	302519	Bottom Link Pivot Pin	2	
5	13310	Slotted Nut ($\frac{5}{8}$ " U.F.)	4	
6	422574	Washer	4	
7	302524	Pivot Pin Front Bracket	2	
8	422584	Front Bracket Cotter Pin	2	
—	13104	Plain Nut ($\frac{1}{4}$ " U.F.)	2	
—	422500/01	Plain Washer ($\frac{1}{4}$ " I.D.)	2	
9	302525	Pivot Pin Rear Bracket	2	
—	12106/07	Front and Rear Bracket Screw ($\frac{3}{8}$ " U.F. \times $\frac{7}{8}$ ")	16	
—	422508/21	Shakeproof Washer ($\frac{3}{8}$ " int.)	16	
10	302550/03	TORSION BAR	2	
11	303024	Torsion Bar Front Adaptor	2	
—	11106/09	Adaptor to Bottom Link Bolt ($\frac{3}{8}$ " U.F. \times $1\frac{1}{8}$ ")	10	
—	13106	Plain Nut ($\frac{3}{8}$ " U.F.)	10	
—	422508/21	Shakeproof Washer ($\frac{3}{8}$ " int.)	10	
12	303025	Torsion Bar Rear Adaptor	2	
—	11106/10	Adaptor to Frame Bolt ($\frac{3}{8}$ " U.F. \times $1\frac{1}{4}$ ")	12	
—	13106	Plain Nut ($\frac{3}{8}$ " U.F.)	12	
—	422508/21	Shakeproof Washer ($\frac{3}{8}$ " int.)	12	
13	423700	Bottom Link to Shock Absorber Bolt	2	
—	13308	Slotted Nut ($\frac{1}{2}$ " U.F.)	2	
14	422653	Bottom Link to Shock Absorber Distance Piece	2	
15	424702	Bottom Front to Bottom Rear Link Bolt	2	
—	13306	Slotted Nut ($\frac{3}{8}$ " U.F.)	2	
16	424701	Bottom Link to Swivel Pin Bolt	2	
—	13308	Slotted Nut ($\frac{1}{2}$ " U.F.)	2	
17	422646	Bottom Link to Swivel Pin Distance Piece	2	
18	424833	Swivel Pin Bottom Trunion Rubber Seal Ring	4	
19	422644-1	Link to Swivel Pin Thrust Washer (nominal thickness .061")	4	} Alternatives
—	422644-2	Link to Swivel Pin Thrust Washer (nominal thickness .064")	4	
—	422644-3	Link to Swivel Pin Thrust Washer (nominal thickness .067")	4	
20	303744	TOP TRANSVERSE LINK AND BUSH ASSEMBLY	4	
21	422648	Top Link Bush	4	
22	422643	Top Link Metalastik Bush	8	
23	424704	Top Front to Top Rear Link Bolt	2	
—	13306	Slotted Nut ($\frac{3}{8}$ " U.F.)	2	
24	303726	Top Link to Frame Bracket	2	
25	422586-1	Bracket to Frame Packing Piece (16 S.W.G.)	A.R.	} Alternatives
—	422586-2	Bracket to Frame Packing Piece (21 S.W.G.)	A.R.	
—	423359	Bracket to Frame Bolt	8	
—	422840	Bolt Tab Washer	4	
—	13106	Plain Nut ($\frac{3}{8}$ " U.F.)	8	
26	422562	Top Link to Bracket Washer	4	
27	13308	Slotted Nut ($\frac{1}{2}$ " U.F.)	4	

FRONT SUSPENSION

Illus. Ref. No.	Part Number	DESCRIPTION OF PART	No. per set	REMARKS
28	303709	TOP TRANSVERSE LINK TRUNNION	2	} Alternatives
29	422644-1	Link to Trunnion Thrust Washer (nominal thickness .061")	4	
	422644-2	Link to Trunnion Thrust Washer (nominal thickness .064")	4	
	422644-3	Link to Trunnion Thrust Washer (nominal thickness .067")	4	
30	423694	SWIVEL AXLE AND BUSH ASSEMBLY	2	
31	420941	Swivel Axle Bush	4	
32	423695	SWIVEL PIN AND BUSH ASSEMBLY	2	} A.R.
33	422647 ✓	Swivel Pin Bush	4	
34	423689	Swivel Pin Bottom Rubber Seal Ring	2	
35	423669 ✓	Swivel Pin Top Thrust Bearing Shim	A.R.	
36	423178/10 ✓	Swivel Pin Top Thrust Bearing (W.I.)	2	
37	423670	Swivel Pin Top Felt Washer Support Ring	2	
38	423672	Swivel Pin Top Felt Washer	2	
39	423671	Felt Washer Retaining Cap	2	
40	13310	Swivel Pin Slotted Nut ($\frac{5}{8}$ " U.F.)	2	
41	303706	STEERING ARM (left hand)	1	
—	303707	STEERING ARM (right hand)	1	
—	423699	Steering Arm, Swivel Axle and Brake Back Plate Bolt	4	
—	423698	Swivel Axle and Brake Back Plate Bolt	4	
—	13306	Slotted Nut ($\frac{3}{8}$ " U.F.)	8	
42	—	BRAKE ASSEMBLY	—	} See under Brake Op. Gear Section
43	302506	Swivel Axle Oil Catcher	2	
44	303056	FRONT HUB AND WHEEL STUD ASSEMBLY	2	
45	423103	Wheel Stud	10	
46	423104	Wheel Stud Nut	10	
47	423200/06	Front Hub Oil Seal (Superfect 2682N)	2	
48	423173/11	Front Hub Inner Roller Bearing (2689/2631)	2	
49	422588	Inner Bearing Distance Piece	2	
50	423173/01	Front Hub Outer Roller Bearing (1755/1729)	2	
51	422656	Front Hub Washer	2	
52	13412	Slotted Nut ($\frac{3}{4}$ " U.F.)	2	
53	302822	Front Hub Cap	2	
54	132978	BRAKE DRUM	2	
—	12305/05	Brake Drum Screw ($\frac{5}{16}$ " U.F. \times $\frac{5}{8}$ " C'sk.)	4	
—	—	ANTI-ROLL BAR	—	} See under Anti-Roll Bar Section
—	—	SHOCK ABSORBER	—	} See under Shock Absorber Section

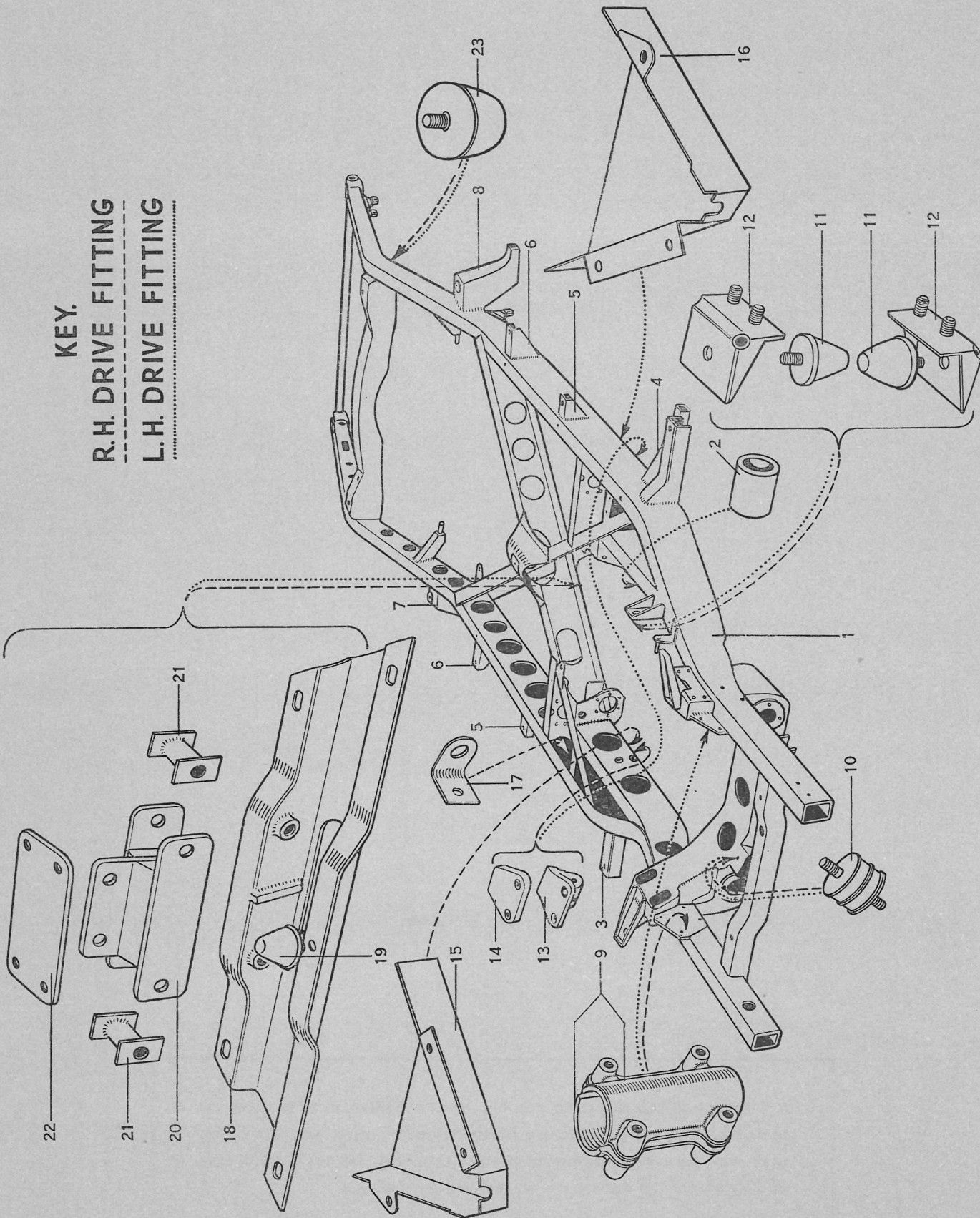
It is requested that wherever possible, private owners order replacement parts from the nearest Lanchester distributor or dealer, who will supply them with genuine Lanchester factory replacements. Names and addresses of distributors and dealers will be supplied on request.

FRAME & FITTINGS

KEY.

R.H. DRIVE FITTING

L.H. DRIVE FITTING

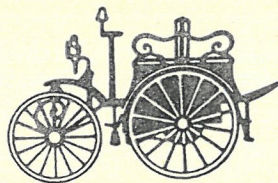


FRAME & FITTINGS

Illus. Ref. No.	Part Number	DESCRIPTION OF PART	No. per set	REMARKS
1	25598	FRAME WELDING ASSEMBLY	1	R.H.D. only
	423217	FRAME WELDING ASSEMBLY AND GEAR PEDAL		
		SHAFT BUSHES	1	L.H.D. only
—	—	Rear Spring Bracket	—	} See under Rear Springs Section
—	—	Bracket Bolt	—	
—	—	Slotted Nut	—	
2	422527/55	Gear Pedal Shaft Bush	2	L.H.D. only
3	133530	Front Jack and No. 1 Body Mounting Bracket (right hand)	1	
4	133533	Front Jack and No. 1 Body Mounting Bracket (left hand)	1	
5	423665	No. 2 Body Mounting Bracket	2	
6	303720	No. 3 Body Mounting Bracket	2	
7	133536	Rear Jack and No. 4 Body Mounting Bracket (right hand)	1	
8	133539	Rear Jack and No. 4 Body Mounting Bracket (left hand)	1	
—	425185	Jack Bracket Rubber Plug	4	
9	302571	STEERING BOX BRACKET	2	
—	423444	Bracket Bolt (long)	2	
—	423443	Bracket Bolt (short)	2	
—	13306	Slotted Nut ($\frac{3}{8}$ " U.F.)	3	
—	13406	Slotted Nut ($\frac{3}{8}$ " U.F.)	1	
10	422598	ENGINE FRONT METALASTIK MOUNTING ..	2	
—	13106	Plain Nut ($\frac{3}{8}$ " U.F.)	4	
—	422508/21	Shakeproof Washer ($\frac{3}{8}$ " int.)	4	
11	422701	ENGINE DAMPER METALASTIK BUFFER ..	2	
—	13105	Plain Nut ($\frac{5}{16}$ " U.F.)	2	
—	422508/19	Shakeproof Washer ($\frac{5}{16}$ " int.)	2	
12	423447	Buffer Bracket and Bolt	2	
—	13105	Plain Nut ($\frac{5}{16}$ " U.F.)	4	
—	422508/19	Shakeproof Washer ($\frac{5}{16}$ " int.)	4	
13	400679	Handbrake Cable Abutment	1	
14	423693	Abutment Packing Piece	1	
—	11104/07	Abutment Bolt ($\frac{1}{4}$ " U.F. \times $\frac{7}{8}$ ")	2	
—	13104	Plain Nut ($\frac{1}{4}$ " U.F.)	2	
—	422508/18	Shakeproof Washer ($\frac{1}{4}$ " int.)	2	
—	422544/10	Abutment Pinch Bolt (ANF No. 10 \times $\frac{3}{4}$ ")	1	
—	422543/2	Plain Nut (ANF No. 10)	1	
—	422508/09	Shakeproof Washer (2 B.A.— $\frac{3}{16}$ " int.)	1	
15	133563	HANDBRAKE CABLE MUDSHIELD	1	R.H.D. only
16	133564	HANDBRAKE CABLE MUDSHIELD	1	L.H.D. only
—	11104/04	Mudshield Bolt ($\frac{1}{4}$ " U.F. \times $\frac{1}{2}$ ")	3	
—	13104	Plain Nut ($\frac{1}{4}$ " U.F.)	3	
—	422508/18	Shakeproof Washer ($\frac{1}{4}$ " int.)	3	
17	422163	Brake Pipe Abutment Bracket	1	} R.H.D. only
—	12104/04	Bracket Setscrew ($\frac{1}{4}$ " U.F. \times $\frac{1}{2}$ ")	1	
—	13104	Plain Nut ($\frac{1}{4}$ " U.F.)	1	
—	422508/15	Shakeproof Washer ($\frac{1}{4}$ " int.)	1	

FRAME & FITTINGS

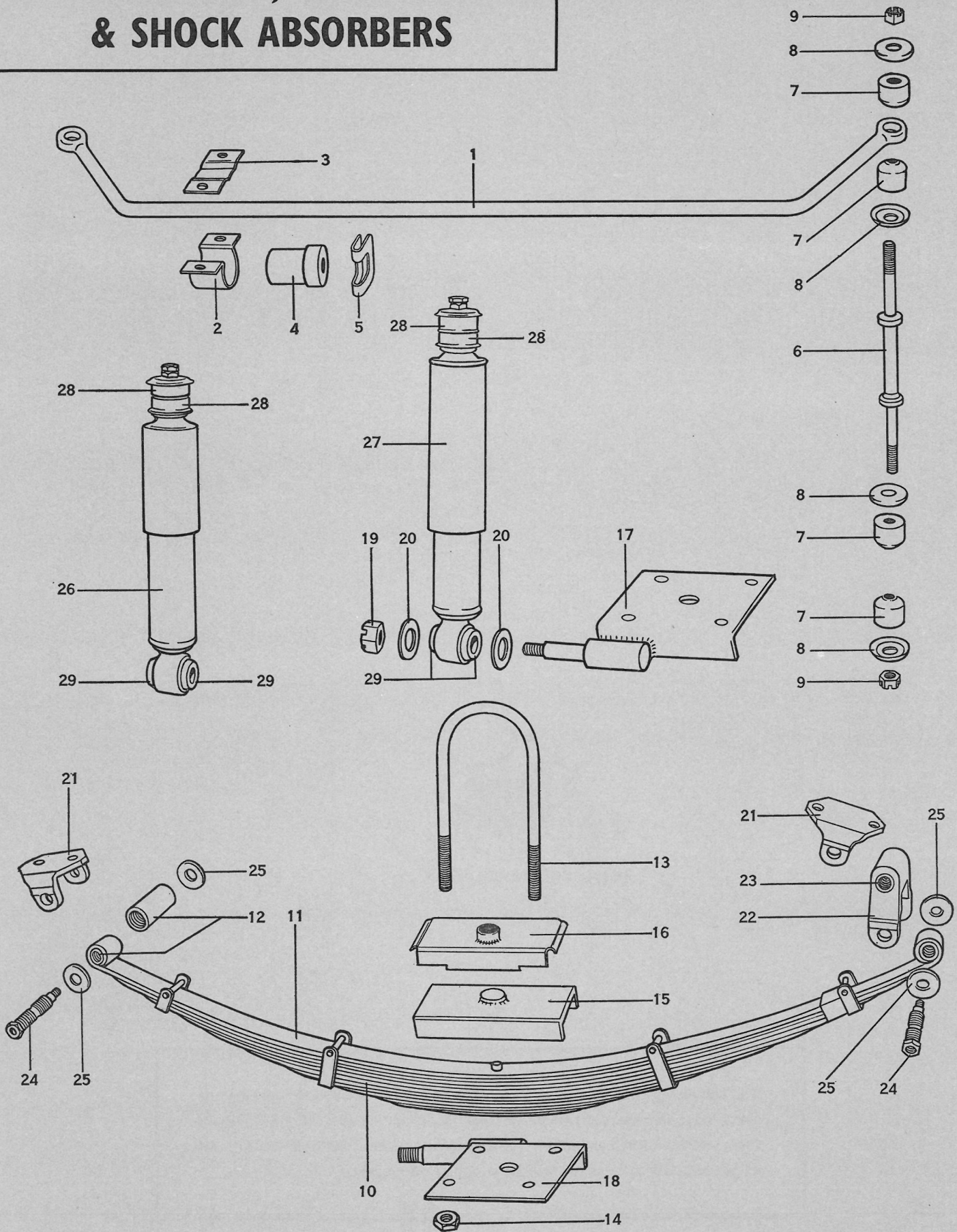
Illus. Ref. No.	Part Number	DESCRIPTION OF PART	No. per set	REMARKS
18	133462	GEARBOX SUPPORT MEMBER	1	
—	11106/06	Support Member Bolt ($\frac{3}{8}$ " U.F. \times $\frac{3}{4}$ ")	4	
—	13106	Plain Nut ($\frac{3}{8}$ " U.F.)	4	
—	422508/21	Shakeproof Washer ($\frac{3}{8}$ " int.)	4	
19	422701	GEARBOX SUPPORT METALASTIK BUFFER ..	1	
—	13105	Plain Nut ($\frac{5}{16}$ " U.F.)	1	
—	422508/19	Shakeproof Washer ($\frac{5}{16}$ " int.)	1	
20	303076	ENGINE REAR METALASTIK MOUNTING ..	1	
21	423415	Mounting Distance Piece	2	
—	11107/28	Mounting to Support Member Bolt ($\frac{7}{16}$ " U.F. \times $3\frac{1}{2}$ ")	2	
—	13107	Plain Nut ($\frac{7}{16}$ " U.F.)	2	
—	422508/24	Shakeproof Washer ($\frac{7}{16}$ " int.)	2	
—	11107/12	Mounting to Bracket Bolt ($\frac{7}{16}$ " U.F. \times $1\frac{1}{2}$ ")	2	
—	422508/24	Shakeproof Washer ($\frac{7}{16}$ " int.)	2	
22	303091	ENGINE REAR MOUNTING BRACKET	1	
—	22106/08	Bracket to Gearbox Setscrew ($\frac{3}{8}$ " U.C. \times 1")	4	
—	422508/21	Shakeproof Washer ($\frac{3}{8}$ " int.)	4	
23	423312	REAR AXLE BUFFER	2	
—	13106	Plain Nut ($\frac{3}{8}$ " U.F.)	2	
—	422508/21	Shakeproof Washer ($\frac{3}{8}$ " int.)	2	



DANSK VETERANBIL KLUB

It is requested that wherever possible, private owners order replacement parts from the nearest Lanchester distributor or dealer, who will supply them with genuine Lanchester factory replacements. Names and addresses of distributors and dealers will be supplied on request.

ANTI-ROLL BAR, REAR SPRINGS & SHOCK ABSORBERS

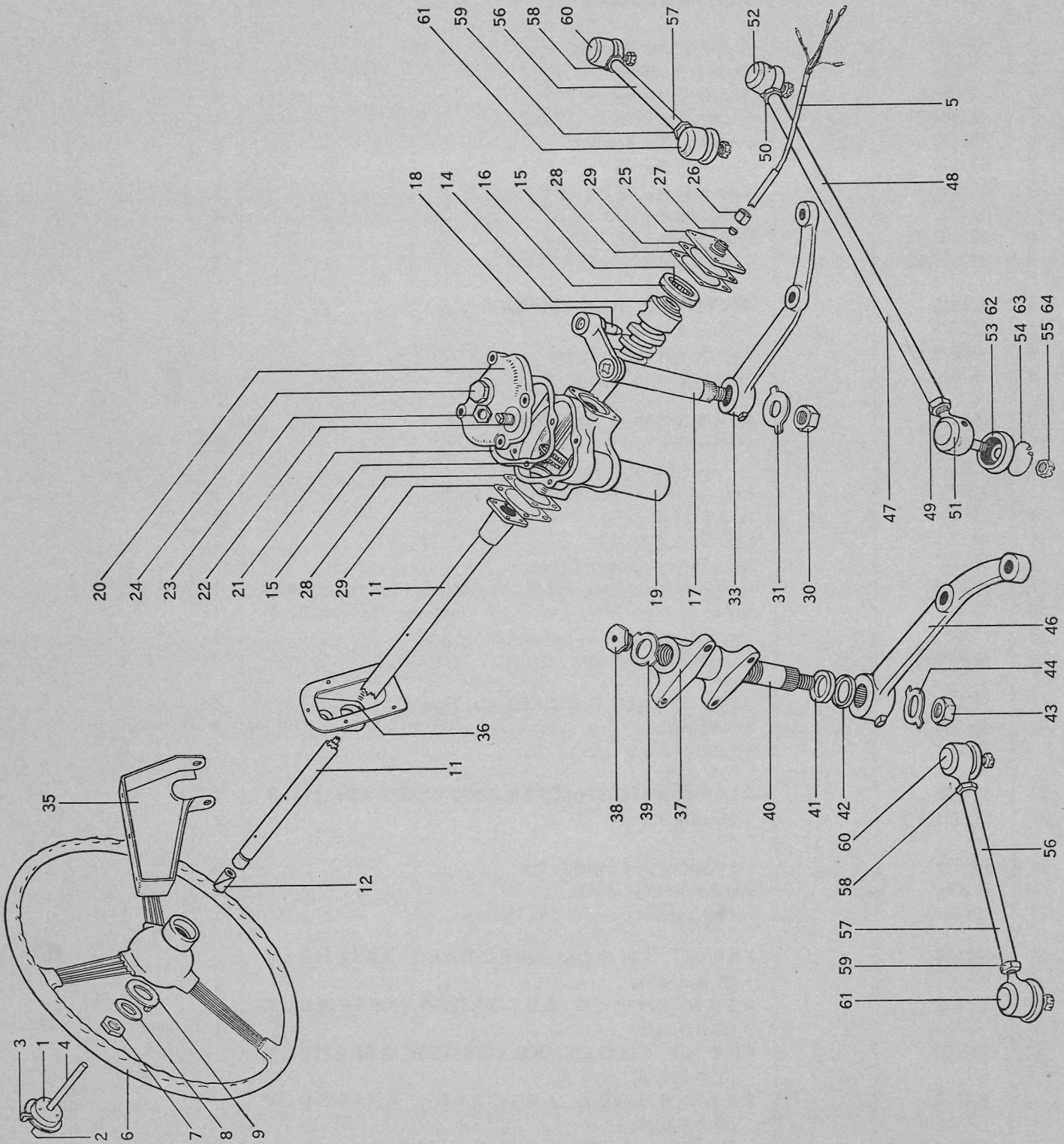


ANTI-ROLL BAR, REAR SPRINGS & SHOCK ABSORBERS

Illus. Ref. No.	Part Number	DESCRIPTION OF PART	No. per set	REMARKS
1	303714	ANTI-ROLL BAR	1	
2	424760	Anti-Roll Bar Bracket	2	
3	424761	Bracket Retainer	2	
—	12106/08	Bracket Setscrew ($\frac{3}{8}$ " U.F. \times 1")	4	
—	422508/21	Shakeproof Washer ($\frac{3}{8}$ " int.)	4	
4	423128	Anti-Roll Bar Rubber	2	
5	423129	Anti-Roll Bar Clip	2	
—	11105/14	Clip Bolt ($\frac{5}{16}$ " U.F. \times 1 $\frac{3}{4}$ ")	2	
—	13105	Plain Nut ($\frac{5}{16}$ " U.F.)	2	
—	422500/02	Plain Washer ($\frac{5}{16}$ " I.D.)	2	
—	422508/22	Shakeproof Washer ($\frac{5}{16}$ " int.)	2	
6	302618	ANTI-ROLL BAR SPINDLE	2	
7	422688	Spindle Rubber	8	
8	420977	Spindle Rubber Retainer	8	
9	13306	Slotted Nut ($\frac{3}{8}$ " U.F.)	4	
10	133078	REAR SPRING ASSEMBLY	2	
11	425029	Main Leaf and Bush Assembly	2	
12	422563	Rear Spring Eye Bush	4	
13	420937	Rear Spring "U" Bolt	4	
14	13107	Locknut ($\frac{7}{16}$ " U.F.)	16	
15	400227	Rear Spring Rubber	2	
16	400228	Rear Spring Rubber Casing	2	
17	303008	Spring Bottom Plate and Shock Absorber Pin (right hand)	1	
18	303007	Spring Bottom Plate and Shock Absorber Pin (left hand)	1	
19	13308	Shock Absorber Pin Slotted Nut ($\frac{1}{2}$ " U.F.)	2	
20	422500/07	Plain Washer ($\frac{5}{8}$ " I.D.)	4	
21	302529	REAR SPRING BRACKET (to frame)	4	
—	423566	Bracket Bolt	8	
—	13307	Slotted Nut ($\frac{7}{16}$ " U.F.)	8	
22	422622	REAR SPRING SHACKLE AND BUSH ASSEMBLY	2	
23	422563	Shackle Bush	2	
24	302528	Rear Spring and Shackle Pin	6	
—	13306	Slotted Nut ($\frac{3}{8}$ " U.F.)	6	
25	400641	Spring and Shackle Pin Felt Washer	12	
26	302586	FRONT SHOCK ABSORBER ASSEMBLY (D.A.S.4/35)	2	} Standard
27	302523	REAR SHOCK ABSORBER ASSEMBLY (D.A.S.6/40)	2	
—	304199	FRONT SHOCK ABSORBER ASSEMBLY (D.A.S.4/43)	2	} Special orders only (To suit special hard conditions)
—	304200	REAR SHOCK ABSORBER ASSEMBLY (D.A.S.6/46)	2	
28	302586/01	Shock Absorber Top Rubber Bush (9046/624)	8	
29	302586/02	Shock Absorber Bottom Rubber Bush (9046/386)	8	
—	—	Front Shock Absorber Fixing Bolt	—	} See under Front Suspension Section
—	—	Rear Shock Absorber Fixing	—	} See under Rear Springs

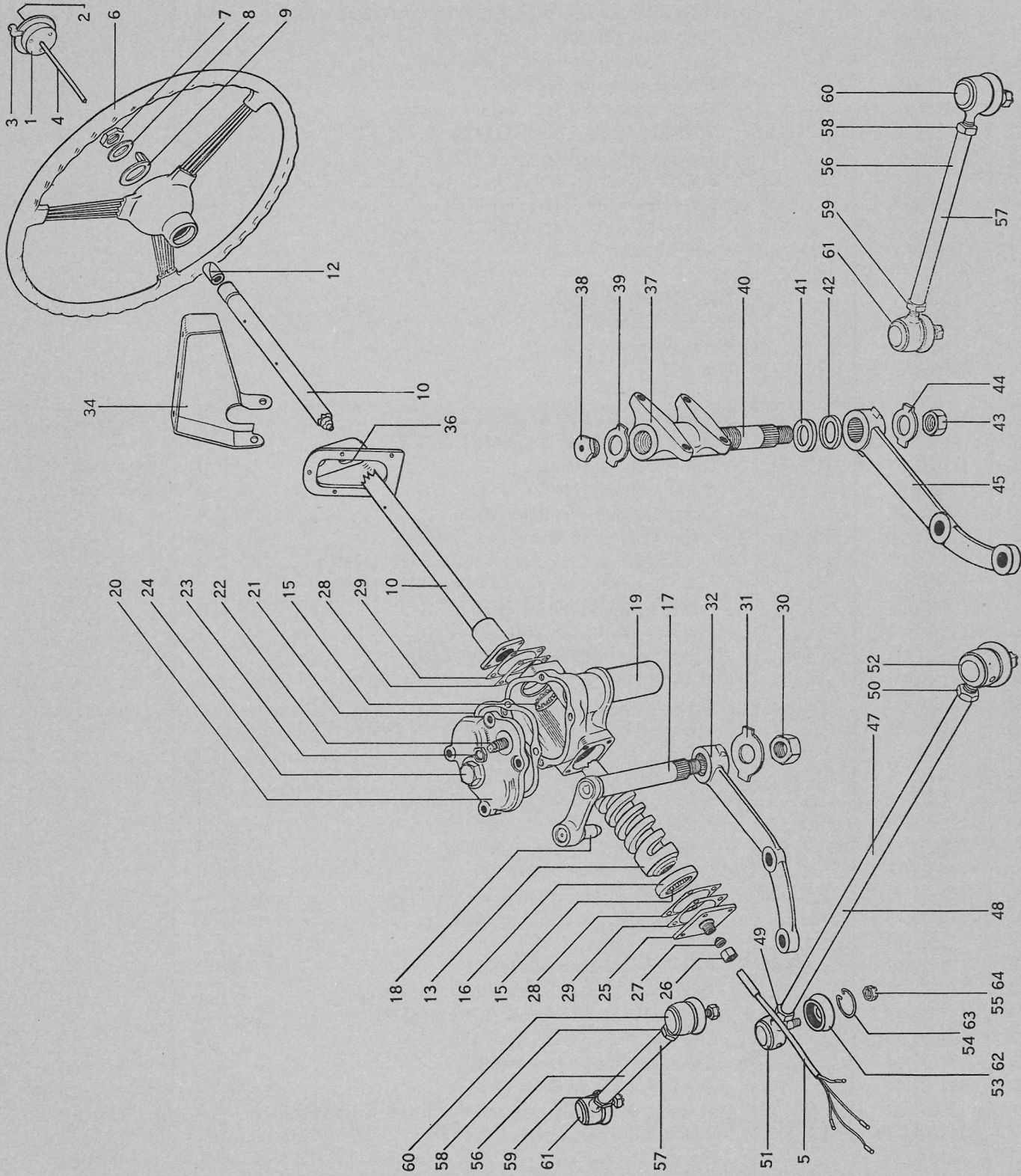
STEERING GEAR & CONNECTIONS

LEFT HAND DRIVE



STEERING GEAR & CONNECTIONS

RIGHT HAND DRIVE



STEERING GEAR & CONNECTIONS

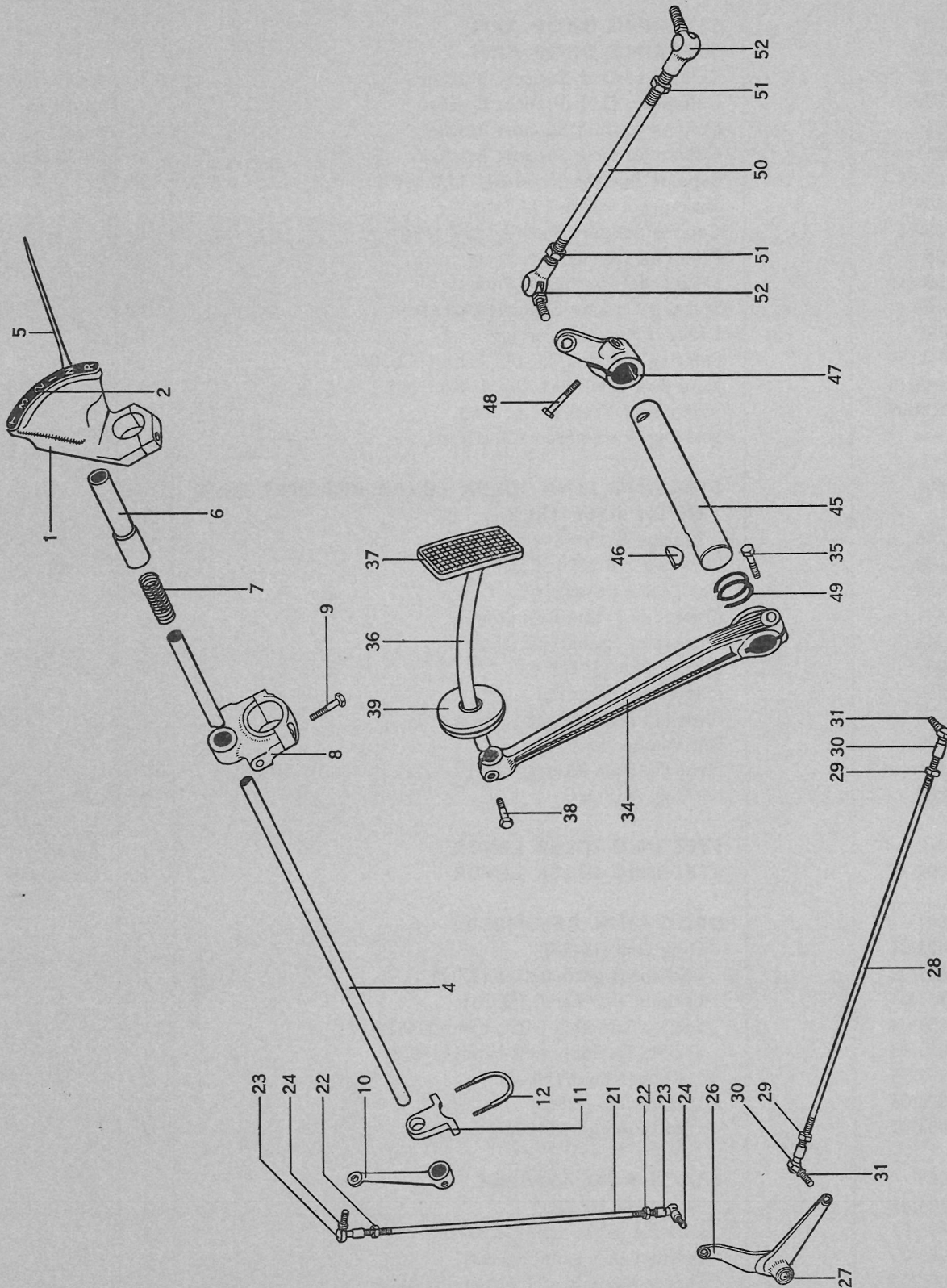
Illus. Ref. No.	Part Number	DESCRIPTION OF PART	No. per set	REMARKS
1	133055	STEERING COLUMN CONTROL ASSEMBLY ..	1	
2	133055/01	Horn Push (322208)	1	
—	133055/02	Horn Push Retaining Ring (322176)	1	
—	133055/03	Horn Push Spring (322093)	1	
—	133055/04	Contact Assembly (321824)	1	
—	133055/05	Trafficator Switch Base (323438)	1	
3	133055/06	Trafficator Switch Lever (324108)	1	
—	133055/07	Plunger Rotor (322150)	1	
—	133055/08	Cam, Pawls and Springs (324527)	1 set	
4	133055/09	Stator Tube and Plate (322217)	1	
5	133055/10	4-core Cable (860483)	1	
6	133486	STEERING WHEEL	1	
7	422476	Steering Wheel Nut	1	
8	422482	Steering Wheel Washer	1	
9	405066	Trip Plate	1	
—	133502	STEERING GEAR ASSEMBLY (Z952)	1	R.H.D. only
—	133503	STEERING GEAR ASSEMBLY (Z953)	1	L.H.D. only
10	133502/01	Outer Column (17933)	1	R.H.D. only
11	133503/01	Outer Column (17937)	1	L.H.D. only
12	133502/02	Outer Column Felt Bush (8533)	1	
—	133502/28	Outer Column to Box Screw (14532)	4	
13	133502/03	Inner Column, Cam and Bush Assembly (17930)	1	R.H.D. only
14	133503/02	Inner Column, Cam and Bush Assembly (17936)	1	L.H.D. only
—	133502/04	Inner Column Bush (11131)	1	
—	133502/05	Steering Wheel Key (6414)	1	
15	133502/06	Cam Cage and Balls Assembly (7708)	2	
16	133502/07	Ball Cup (14404)	2	
17	133502/08	Rocker Shaft Assembly (17932)	1	
18	133502/09	Needle Roller Bearing and Peg Assembly (17912)	1	
19	133502/10	Steering Box Assembly (17929)	1	
—	133502/11	Steering Box Bush (6322)	2	
—	133502/12	Steering Box Cork Oil Seal (10900)	1	
—	133502/13	Oil Seal Retaining Disc (9632)	1	
20	133502/14	Steering Box Side Cover (14928)	1	
21	133502/15	Side Cover Joint (14929)	1	
22	133502/16	Rocker Shaft Adjusting Screw (13493)	1	
23	133502/17	Adjusting Screw Locknut (10540)	1	
24	133502/18	Oil Filler Plug (14931)	1	
—	133502/19	Filler Plug Washer (13894)	1	
—	133502/30	Side Cover to Box Screw (long) (14934)	2	
—	133502/31	Side Cover to Box Screw (short) (14533)	2	
25	133502/20	Steering Box End Cover (17312)	1	
26	133502/21	End Cover Union Nut (10805)	1	
27	133502/22	End Cover Union Olive (14556)	1	
28	133502/23	Steering Box to Column and End Cover Joint (9420)	2	
—	133502/24	Box to Column and End Cover Shim (.002") (8224)	A.R.	} Alternatives
29	133502/25	Box to Column and End Cover Shim (.005") (9418)	A.R.	
—	133502/26	Box to Column and End Cover Shim (.010") (9419)	A.R.	
—	133502/29	End Cover to Box Screw (14932)	4	
30	13112	Steering Box Drop Arm Plain Nut ($\frac{3}{4}$ " U.F.)	1	
31	133502/27	Lockwasher (14403)	1	

STEERING GEAR & CONNECTIONS

Illus. Ref. No.	Part Number	DESCRIPTION OF PART	No. per set	REMARKS
32	303009	STEERING DROP ARM	1	R.H.D. only
33	303010	STEERING DROP ARM	1	L.H.D. only
34	303797	Column to Dash Support Bracket	1	R.H.D. only
35	303799	Column to Dash Support Bracket	1	L.H.D. only
—	304064	Column to Dash Support Bracket	1	R.H.D. only
—	304063	Column to Dash Support Bracket	1	L.H.D. only
—	22105/05	Support Bracket Screw ($\frac{5}{16}$ " U.C. \times $\frac{5}{8}$ ")	3	Used with metal facia panel only. Used with wooden facia panel only.
—	422508/19	Shakeproof Washer ($\frac{5}{16}$ " int.)	3	
—	11105/26	Column Support Bolt ($\frac{5}{16}$ " U.F. \times $3\frac{1}{4}$ ")	1	
—	13105	Plain Nut ($\frac{5}{16}$ " U.F.)	1	
—	422508/19	Shakeproof Washer ($\frac{5}{16}$ " int.)	1	
36	303164	Steering Column Draught Excluder	1	
—	278726	Draught Excluder Ferrule	1	
—	51/641359	Steering Column Cut-out Plate (162/306)	1	
—	422545/14	Plate Bolt (ANF No. $10 \times \frac{5}{8}$ " Rd. Hd.)	9	
—	422508/09	Shakeproof Washer ($\frac{3}{16}$ " int.)	9	
—	—	Steering Box to Frame Bracket	—	See under Frame and Fittings Section
37	422681	STEERING LINK IDLER LEVER BRACKET AND BUSH ASSEMBLY	1	
—	401788	Bracket Bush	1	
38	422638	Idler Lever Bracket Cap	1	
39	422639	Cap Locking Washer	1	
—	423446	Bracket to Frame Bolt (long)	2	
—	423445	Bracket to Frame Bolt (short)	2	
—	13306	Slotted Nut ($\frac{3}{8}$ " U.F.)	4	
40	302558	Idler Lever Pivot Pin	1	
41	422676	Pivot Pin Felt Washer	1	
42	401800	Felt Washer Retainer	1	
43	13112	Pivot Pin Plain Nut ($\frac{3}{4}$ " U.F.)	1	
44	422887	Locking Washer	1	
45	303010	STEERING IDLER LEVER	1	R.H.D. only
46	303009	STEERING IDLER LEVER	1	L.H.D. only
47	302803	DRAG LINK ASSEMBLY	1	
48	302803/01	Drag Link (JE424)	1	
49	302803/02	Locknut (right hand) (K18717)	1	
50	302803/03	Locknut (left hand) (J3353)	1	
51	302803/04	Socket Assembly (right hand) (J4624)	1	
52	302803/08	Socket Assembly (left hand) (J4623)	1	
53	302803/05	Rubber Boot (J4008)	2	
54	302803/06	Boot Clip (J3968)	2	
55	302803/07	Ball Pin Nut (K18807)	2	
56	302804	TRACK ROD ASSEMBLY	2	
57	302804/01	Track Rod (JE405)	2	
58	302803/02	Locknut (right hand) (K18717)	2	
59	302803/03	Locknut (left hand) (J3353)	2	
60	302803/04	Socket Assembly (right hand) (J4624)	2	
61	302803/08	Socket Assembly (left hand) (J4623)	2	
62	302803/05	Rubber Boot (J4008)	4	
63	302803/06	Boot Clip (J3968)	4	
64	302803/07	Ball Pin Nut (K18807)	4	

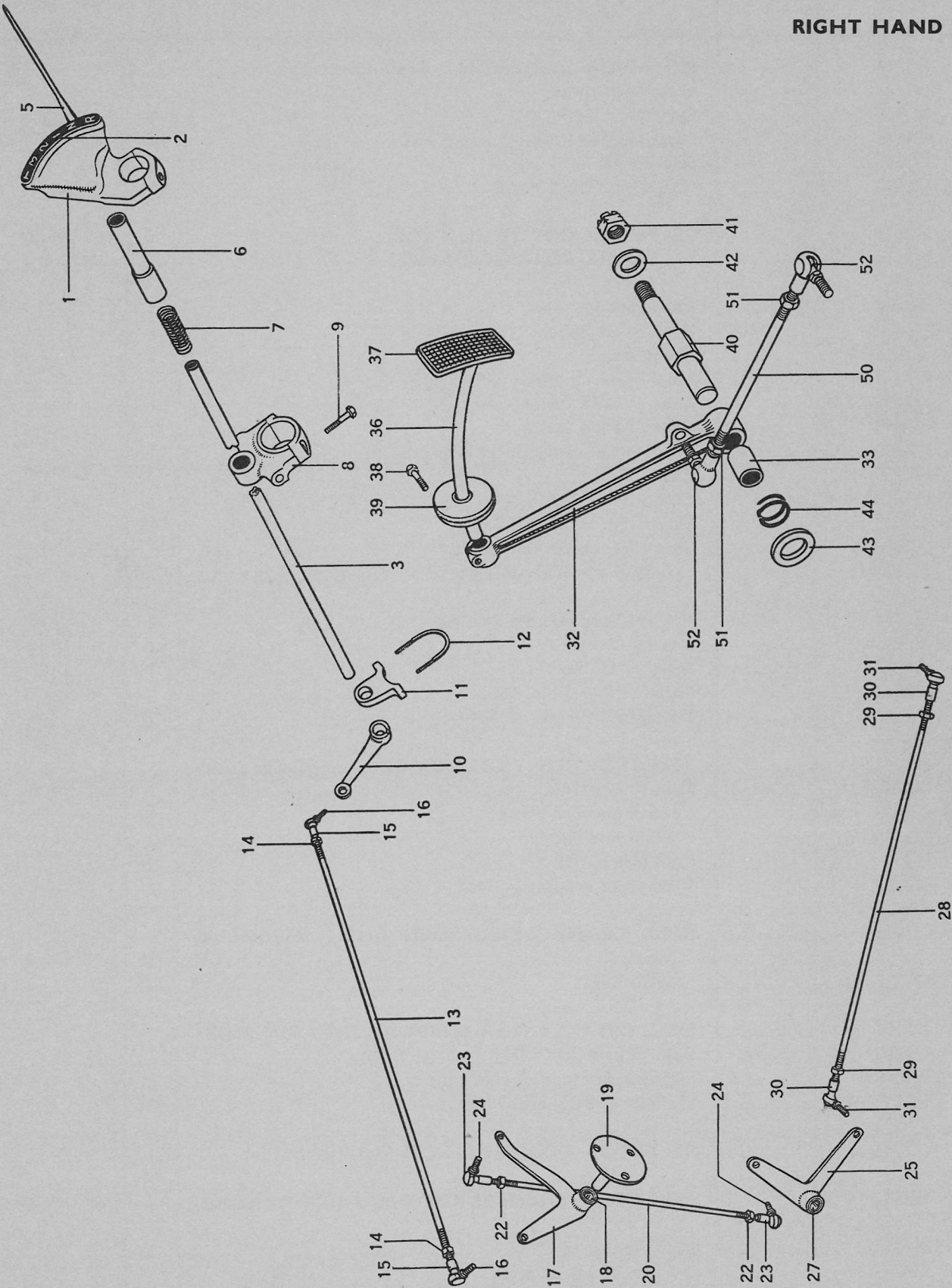
GEAR SELECTOR CONTROL & OPERATING PEDAL

LEFT HAND DRIVE



GEAR SELECTOR CONTROL & OPERATING PEDAL

RIGHT HAND DRIVE



GEAR SELECTOR CONTROL & OPERATING PEDAL

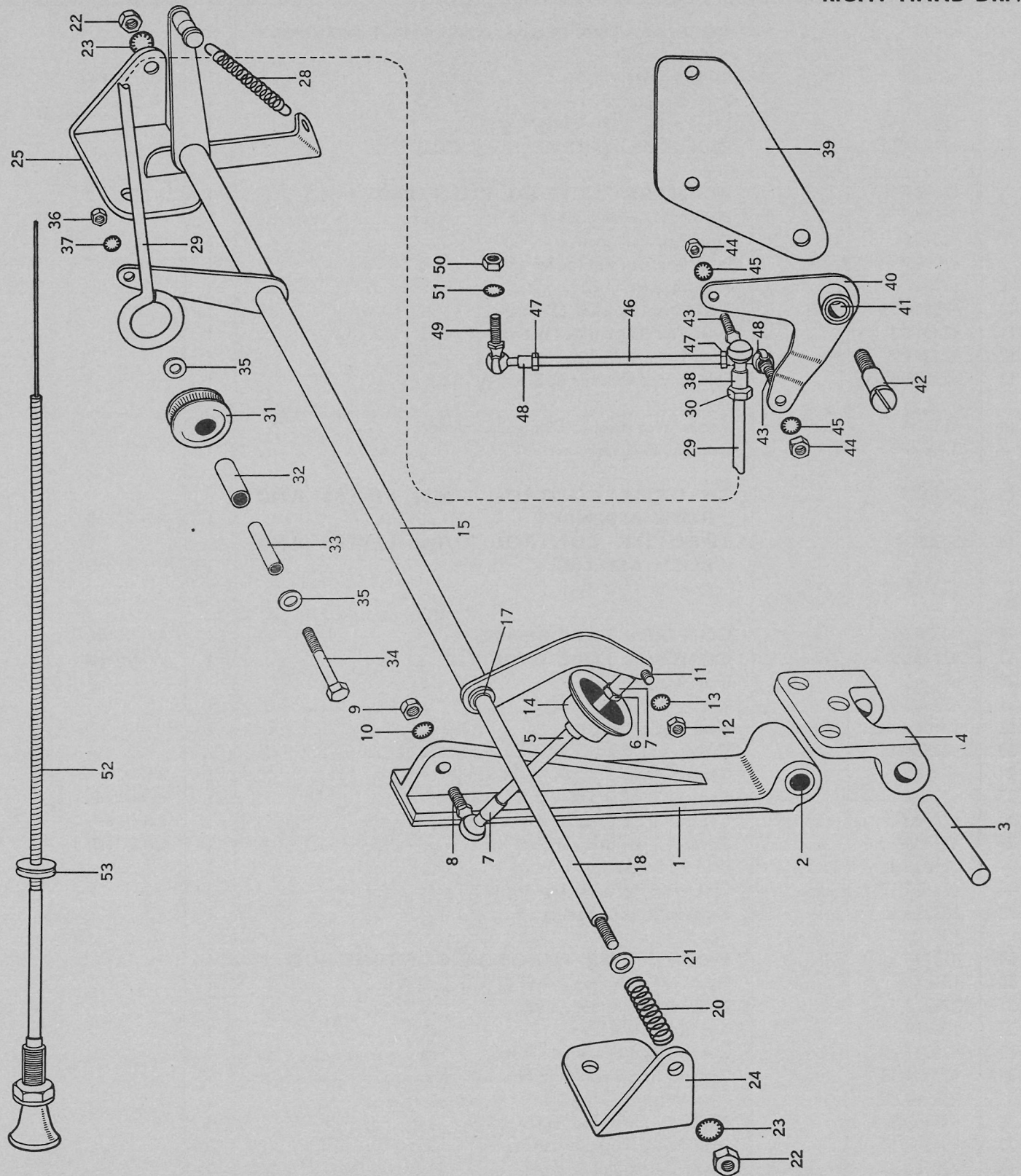
Illus. Ref. No.	Part Number	DESCRIPTION OF PART	No. per set	REMARKS
1	303113	SELECTOR QUADRANT AND CAP	1	
—	267265	Quadrant Dowel	1	
—	422968	Quadrant Screw	2	
—	423145	Shakeproof Washer ($\frac{1}{4}$ " ext. C'sk.)	2	
2	272505-1	Selector Name Plate	1	
—	278632	Name Plate Fibre Washer	A.R.	
3	303114	SELECTOR CONTROL TUBE	1	R.H.D. only
4	303115	SELECTOR CONTROL TUBE	1	L.H.D. only
5	286754-1	Hand Lever	1	
—	266764	Hand Lever Roller	1	
—	422534/24	Roller Rivet	1	
—	422524/14	Hand Lever Pin (Mills GPI $\frac{1}{8}$ " \times $\frac{3}{4}$ ")	1	
6	423437-2	Control Tube Spring Cover	1	
7	405040	Control Tube Spring	1	
8	303100	Steering Column Support Clamp and Cap	1	
—	267265	Clamp Dowel	1	
9	11104/07	Clamp Bolt ($\frac{1}{4}$ " U.F. \times $\frac{7}{8}$ ")	2	
—	422508/15	Shakeproof Washer ($\frac{1}{4}$ " int.)	2	
10	414686	Control Tube Bottom Lever	1	
—	422524/14	Lever Pin (Mills GPI $\frac{1}{8}$ " \times $\frac{3}{4}$ ")	2	
11	275834	Control Tube Bottom Bearing	1	
—	267265	Bearing Dowel	1	
12	424807	Bearing "U" Bolt	1	
—	422543/2	Plain Nut (ANF No. 10)	2	
—	422508/09	Shakeproof Washer (2 B.A.— $\frac{3}{16}$ " int.)	2	
13	422542/71	SELECTOR CONTROL ROD (bottom lever to dash)	1	}
14	13104	Plain Nut ($\frac{1}{4}$ " U.F.)	2	
15	420963	Control Rod Ball Socket	2	
16	420965	Control Rod Ball Pin	2	
—	13104	Plain Nut ($\frac{1}{4}$ " U.F.)	2	
—	422508/15	Shakeproof Washer ($\frac{1}{4}$ " int.)	2	
17	423023	BELL CRANK LEVER AND BUSH ASSEMBLY		}
		(dash)	1	
18	422527/12	Lever Bush	1	
19	417291	BELL CRANK LEVER SUPPORT AND PIN (dash)	1	}
—	422500/04	Plain Washer ($\frac{7}{16}$ " I.D.)	1	
—	12104/04	Support Setscrew ($\frac{1}{4}$ " U.F. \times $\frac{1}{2}$ ")	3	
—	422508/18	Shakeproof Washer ($\frac{1}{4}$ " int.)	3	
20	422542/24	SELECTOR CONTROL ROD (dash to frame) ..	1	
21	422542/27	SELECTOR CONTROL ROD (bottom lever to frame)	1	L.H.D. only
22	13104	Plain Nut ($\frac{1}{4}$ " U.F.)	2	
23	420963	Control Rod Ball Socket	2	
24	420965	Control Rod Ball Pin	2	
—	13104	Plain Nut ($\frac{1}{4}$ " U.F.)	2	
—	422508/15	Shakeproof Washer ($\frac{1}{4}$ " int.)	2	

GEAR SELECTOR CONTROL & OPERATING PEDAL

Illus. Ref. No.	Part Number	DESCRIPTION OF PART	No. per set	REMARKS
25	423025	BELL CRANK LEVER AND BUSH ASSEMBLY (frame)	1	R.H.D. only
26	423027	BELL CRANK LEVER AND BUSH ASSEMBLY (frame)	1	
27	422527/12	Lever Bush	1	L.H.D. only
—	422500/04	Bell Crank Lever Plain Washer ($\frac{7}{16}$ " I.D.)	1	
28	422542/35	SELECTOR CONTROL ROD (frame to gearbox)	1	
29	13104	Plain Nut ($\frac{1}{4}$ " U.F.)	2	
30	420963	Control Rod Ball Socket	2	
31	420965	Control Rod Ball Pin	2	
—	13104	Plain Nut ($\frac{1}{4}$ " U.F.)	2	
—	422508/15	Shakeproof Washer ($\frac{1}{4}$ " int.)	2	
32	423213	GEAR PEDAL AND BUSH ASSEMBLY	1	R.H.D. only
33	422527/55	Gear Pedal Bush	1	
34	133351	GEAR PEDAL	1	L.H.D. only
35	11104/14	Pedal to Shaft Bolt ($\frac{1}{4}$ " U.F. \times $1\frac{3}{4}$ ")	1	
—	13104	Plain Nut ($\frac{1}{4}$ " U.F.)	1	
—	422508/15	Shakeproof Washer ($\frac{1}{4}$ " int.)	1	
36	302950	Gear Pedal Extension	1	
37	400417	Extension Plate Rubber Cover	1	
38	11104/09	Gear Pedal Pinch Bolt ($\frac{1}{4}$ " U.F. \times $1\frac{1}{8}$ ")	1	
—	13104	Plain Nut ($\frac{1}{4}$ " U.F.)	1	
—	422508/15	Shakeproof Washer ($\frac{1}{4}$ " int.)	1	
39	412889	Gear Pedal Rubber Grommet	1	
—	278727	Grommet Ferrule	1	
40	302489	GEAR PEDAL SHAFT	1	
41	13310	Slotted Nut ($\frac{5}{8}$ " U.F.)	1	R.H.D. only Up to Chassis No. 65112
42	422500/07	Plain Washer ($\frac{5}{8}$ " I.D.)	1	
43	422500/08	Plain Washer ($\frac{3}{4}$ " I.D.)	1	
44	422152	D.C. Spring Washer (.825" I.D.)	1	
—	304049	GEAR PEDAL SHAFT	1	R.H.D. only From Chassis No. 65113
—	13310	Slotted Nut ($\frac{5}{8}$ " U.F.)	2	
—	422500/07	Plain Washer ($\frac{5}{8}$ " I.D.)	2	
—	422152	D.C. Spring Washer (.825" I.D.)	1	
45	423215	GEAR PEDAL SHAFT	1	L.H.D. only
46	422510/21	Gear Pedal Shaft Key	2	
47	302768	Gear Engaging Operating Lever	1	
48	11104/14	Lever to Shaft Bolt ($\frac{1}{4}$ " U.F. \times $1\frac{3}{4}$ ")	1	
—	13104	Plain Nut ($\frac{1}{4}$ " U.F.)	1	
—	422508/15	Shakeproof Washer ($\frac{1}{4}$ " int.)	1	
49	422152	D.C. Spring Washer (.825" I.D.)	1	
50	423234	GEAR ENGAGING ROD (to gearbox)	1	
51	13106	Plain Nut ($\frac{3}{8}$ " U.F.)	2	
52	422153	Engaging Rod Roller Joint	2	
—	13106	Plain Nut ($\frac{3}{8}$ " U.F.)	2	
—	422508/21	Shakeproof Washer ($\frac{3}{8}$ " int.)	2	

ENGINE CONTROLS

RIGHT HAND DRIVE



ENGINE CONTROLS

Illus. Ref. No.	Part Number	DESCRIPTION OF PART	No. per set	REMARKS
1	424987	ACCELERATOR PEDAL AND BUSH ASSEMBLY	1	
2	422527/07	Pedal Bush	1	
3	260340	Pedal Spindle	1	
4	285661	Pedal Bracket	1	
—	422524/14	Bracket Pin (Mills GPI $\frac{1}{8} \times \frac{3}{4}$)	1	
—	423197/12	Bracket Screw (ANF No. $10 \times \frac{3}{8}$ C'sk.)	3	
5	420964/3	ACCELERATOR PEDAL PUSH ROD	1	
6	13104	Plain Nut (lever end) ($\frac{1}{4}$ " U.F.)	1	
7	420963	Push Rod Ball Socket	2	
8	420965	Push Rod Ball Pin (pedal end)	1	
9	13104	Plain Nut ($\frac{1}{4}$ " U.F.)	1	
10	422508/15	Shakeproof Washer ($\frac{1}{4}$ " int.)	1	
11	424813/2	Push Rod Ball Pin (lever end)	1	
12	422543/2	Plain Nut (ANF No. 10)	1	
13	422508/09	Shakeproof Washer (2 B.A.— $\frac{3}{16}$ " int.)	1	
14	423434	Accelerator Rubber Draught Excluder	1	
—	278800	Draught Excluder Ferrule	1	
15	303087	THROTTLE CONTROL TUBE, LEVERS AND BUSH ASSEMBLY	1	R.H.D. only
16	303089	THROTTLE CONTROL TUBE, LEVERS AND BUSH ASSEMBLY	1	L.H.D. only
17	422527/02	Control Tube Bush	2	
18	423292/2	CONTROL TUBE SHAFT	1	R.H.D. only
19	423292/3	CONTROL TUBE SHAFT	1	L.H.D. only
20	400543	Shaft Spring	1	
21	422500/02	Plain Washer ($\frac{5}{16}$ " I.D.)	1	
22	13104	Plain Nut ($\frac{1}{4}$ " U.F.)	2	
23	422508/15	Shakeproof Washer ($\frac{1}{4}$ " int.)	2	
24	423295	Control Shaft Bracket (right hand)	1	R.H.D. only
25	423427	Control Shaft Bracket (left hand)	1	R.H.D. only
26	423428	Control Shaft Bracket (right hand)	1	L.H.D. only
27	423296	Control Shaft Bracket (left hand)	1	L.H.D. only
—	12105/04	Bracket Screw ($\frac{5}{16}$ " U.F. $\times \frac{1}{2}$ ")	2	
—	422508/19	Shakeproof Washer ($\frac{5}{16}$ " int.)	2	
28	263226	Throttle Return Spring	1	
29	423426	HORIZONTAL THROTTLE CONTROL ROD	1	
30	13104	Plain Nut (bell crank end) ($\frac{1}{4}$ " U.F.)	1	
31	278271	Control Rod Rubber Bush	1	
32	278679	Control Rod Sleeve	1	
33	423311	Control Rod Distance Piece	1	
34	422544/13	Control Rod Bolt (ANF No. $10 \times 1\frac{1}{2}$ ")	1	
35	422500/02	Plain Washer ($\frac{5}{16}$ " I.D.)	2	
36	422543/2	Plain Nut (ANF No. 10)	1	
37	422508/11	Shakeproof Washer (2 B.A. int.)	1	
38	420963	Control Rod Ball Socket	1	
39	423421	THROTTLE CONTROL BRACKET	1	
—	22105/05	Bracket Screw ($\frac{5}{16}$ " U.C. $\times \frac{5}{8}$ ")	2	
—	422508/19	Shakeproof Washer ($\frac{5}{16}$ " int.)	2	

ENGINE CONTROLS

Illus. Ref. No.	Part Number	DESCRIPTION OF PART	No. per set	REMARKS
40	423424	BELL CRANK LEVER AND BUSH ASSEMBLY ..	1	
41	422527/06	Lever Bush	1	
42	422849	Bell Crank Lever Fulcrum Pin	1	
—	13104	Plain Nut ($\frac{1}{4}$ " U.F.)	1	
—	422508/15	Shakeproof Washer ($\frac{1}{4}$ " int.)	1	
43	424813/2	Bell Crank Lever Ball Pin	2	
44	422543/2	Plain Nut (ANF No. 10)	2	
45	422508/09	Shakeproof Washer (2 B.A.— $\frac{3}{16}$ " int.)	2	
46	420966/3	THROTTLE CONTROL ROD (bell crank to carburettor)	1	
47	422543/2	Plain Nut (ANF No. 10)	2	
48	424822/2	Control Rod Ball Socket	2	
49	424813/2	Control Rod Ball Pin (to carburettor)	1	
50	422543/2	Plain Nut (ANF No. 10)	1	
51	422508/09	Shakeproof Washer (2 B.A.— $\frac{3}{16}$ " int.)	1	
52	303728	MIXTURE CONTROL CABLE ASSEMBLY ..	1	
53	423179/1	Control Cable Grommet (dash)	1	

BRAKE OPERATING GEAR

RIGHT HAND DRIVE

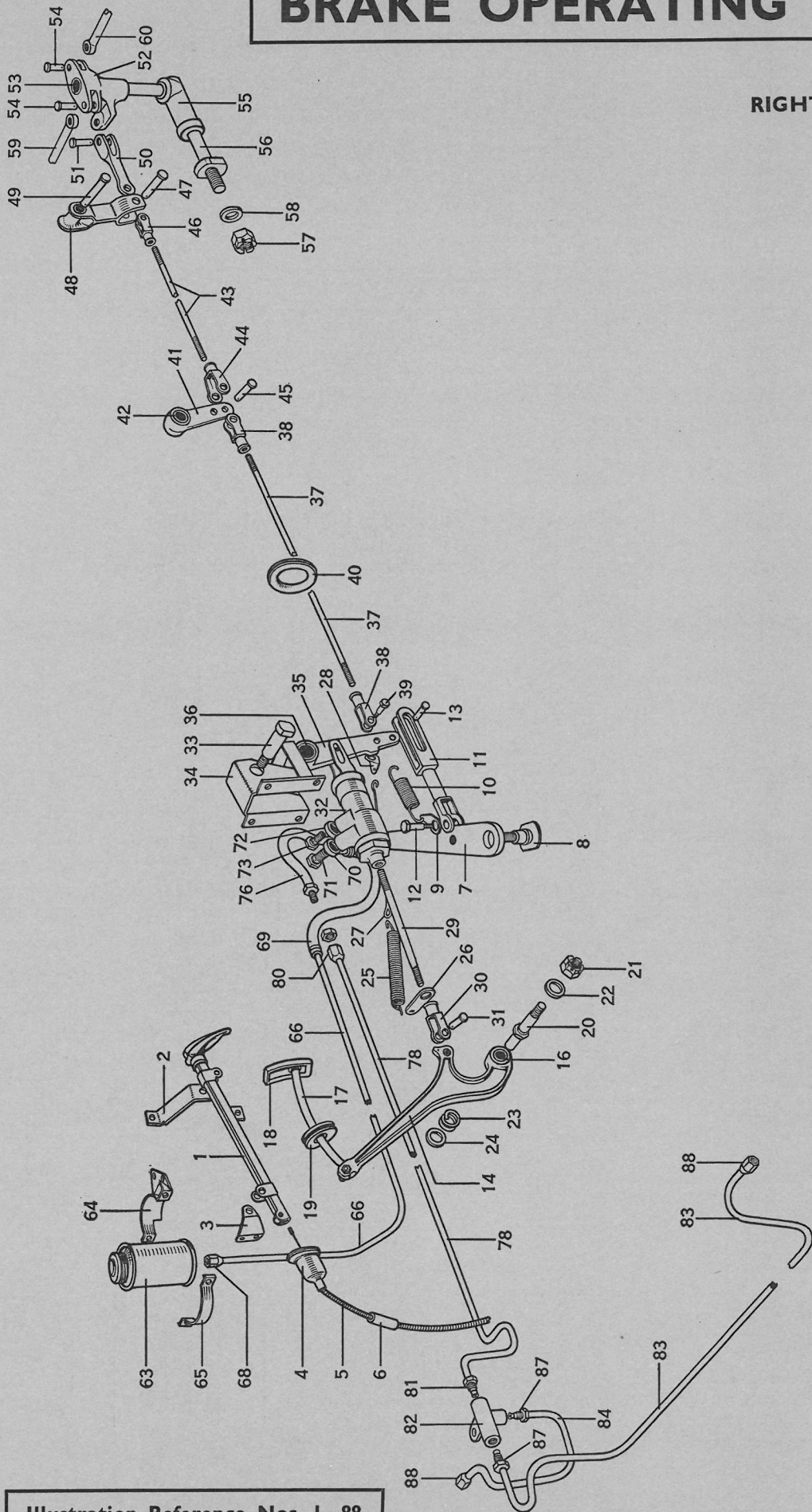


Illustration Reference Nos. 1-88

BRAKE OPERATING GEAR

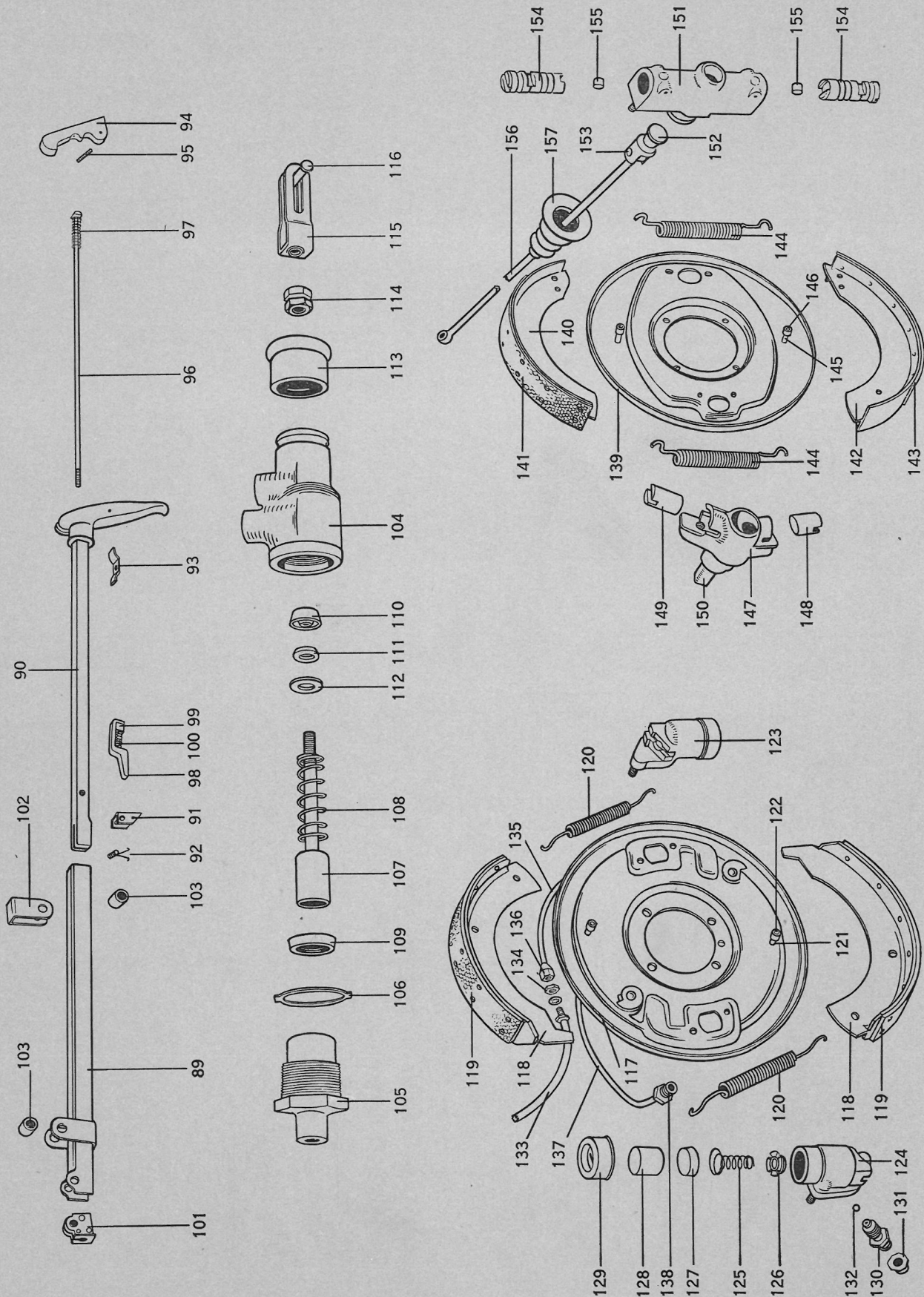


Illustration Reference Nos. 89 - 157

BRAKE OPERATING GEAR

Illus. Ref. No.	Part Number	DESCRIPTION OF PART	No. per set	REMARKS
1	302922	HANDBRAKE CONTROL ASSEMBLY (see also Ref. Nos. 89-103)	1	
2	424739	Handbrake Rear Support Bracket (dash)	1	
—	12104/04	Support Bracket Bolt ($\frac{1}{4}$ " U.F. \times $\frac{1}{2}$ ")	2	
—	422508/15	Shakeproof Washer ($\frac{1}{4}$ " int.)	2	
3	423617	Handbrake Front Support Bracket (dash)	2	
—	12104/04	Support Bracket Bolt ($\frac{1}{4}$ " U.F. \times $\frac{1}{2}$ ")	4	
—	422508/15	Shakeproof Washer ($\frac{1}{4}$ " int.)	4	
4	424723	Handbrake Rubber Grommet (dash)	1	
5	288056/8	HANDBRAKE CABLE ASSEMBLY	1	
—	288056/20	Cable Joint Pin	1	
6	424757	Handbrake Cable Rubber Tubing	1	
—	424759	Handbrake Cable to Frame Clip	1	
—	422544/09	Clip Bolt (ANF No. 10 \times $\frac{5}{8}$ ")	1	
—	422543/2	Plain Nut (ANF No. 10)	1	
—	422508/09	Shakeproof Washer (2 B.A. — $\frac{3}{16}$ " int.)	1	
—	423199/2	Plain Washer (ANF No. 10)	1	
7	422925	HANDBRAKE LEVER	1	
8	422929	Lever to Frame Pin	1	
—	13306	Slotted Nut ($\frac{3}{8}$ " U.F.)	1	
—	422500/03	Plain Washer ($\frac{3}{8}$ " I.D.)	1	
9	420321	Handbrake Pull-off Spring Anchor	1	
10	414415	Handbrake Pull-off Spring	1	
11	423051	Slotted Fork End Link (handbrake lever to X shaft lever)	1	
12	423030	Handbrake Lever to Slotted Fork End Link Pin	1	
—	13304	Slotted Nut ($\frac{1}{4}$ " U.F.)	1	
13	422531/17	Slotted Fork End Link to X Shaft Lever Pin	1	
—	422500/02	Plain Washer ($\frac{5}{16}$ " I.D.)	1	
14	423212	BRAKE PEDAL AND BUSH ASSEMBLY	1	R.H.D. only
15	423214	BRAKE PEDAL AND BUSH ASSEMBLY	1	L.H.D. only
16	422527/55	Pedal Bush	1	
17	302950	Brake Pedal Extension	1	
18	400417	Extension Plate Rubber Cover	1	
—	11104/09	Pedal Pinch Bolt ($\frac{1}{4}$ " U.F. \times $1\frac{1}{8}$ ")	1	
—	13104	Plain Nut ($\frac{1}{4}$ " U.F.)	1	
—	422508/15	Shakeproof Washer ($\frac{1}{4}$ " int.)	1	
19	412889	Pedal Rubber Grommet	1	
—	278727	Grommet Ferrule	1	
20	422467	Brake Pedal X Shaft	1	
21	13310	Slotted Nut ($\frac{5}{8}$ " U.F.)	1	
22	422500/07	Plain Washer ($\frac{5}{8}$ " I.D.)	1	
23	422152	D.C. Spring Washer (.825" I.D.)	1	
24	422500/08	Plain Washer ($\frac{3}{4}$ " I.D.)	1	
25	263226	Brake Pedal Return Spring	1	
26	420569	Return Spring Anchor (front)	1	
27	422499	Return Spring Link	1	Up to Chassis No. 65079
—	422499-2	Return Spring Link	1	From Chassis No. 65080
28	420321	Return Spring Anchor (rear)	1	Up to Chassis No. 65079

BRAKE OPERATING GEAR

Illus. Ref. No.	Part Number	DESCRIPTION OF PART	No. per set	REMARKS
29	422363	BRAKE ROD (pedal to master cylinder)	1	
—	13105	Plain Nut (front) ($\frac{5}{16}$ " U.F.)	1	
—	13106	Plain Nut (rear) ($\frac{3}{8}$ " U.F.)	1	
30	422529/1	Brake Rod to Pedal Fork End.. ..	1	
31	422531/17	Fork End Pin	1	
—	422500/02	Plain Washer ($\frac{5}{16}$ " I.D.)	1	
32	302468	MASTER CYLINDER ASSEMBLY (see also Ref. Nos. 104-116)	1	
33	422564	BRAKE CROSS SHAFT	1	
—	13308	Slotted Nut ($\frac{1}{2}$ " U.F.)	1	
—	422152	D.C. Spring Washer (.825" I.D.)	1	
34	302513	Cross Shaft Bracket	1	
—	11105/05	Bracket to Frame Bolt ($\frac{5}{16}$ " U.F. \times $\frac{5}{8}$ "	4	
—	13105	Plain Nut ($\frac{5}{16}$ " U.F.)	4	
—	422508/19	Shakeproof Washer ($\frac{5}{16}$ " int.).. ..	4	
35	422565	CROSS SHAFT LEVER AND BUSH ASSEMBLY	1	
36	422527/55	Lever Bush	1	
37	422166/4	BRAKE ROD (X shaft to front idler lever)	1	
—	13105	Plain Nut ($\frac{5}{16}$ " U.F.)	2	
38	422529/1	Brake Rod Fork End	2	
39	423030	Fork End Pin (front)	1	
—	422500/02	Plain Washer ($\frac{5}{16}$ " I.D.)	1	From Chassis No. 65080
—	13304	Slotted Nut ($\frac{1}{4}$ " U.F.)	1	
40	422982	Brake Rod Rubber Grommet.. ..	1	
41	419431	FRONT IDLER LEVER AND BUSH ASSEMBLY	1	
42	422527/33	Lever Bush	1	
—	422500/07	Idler Lever Shaft Plain Washer ($\frac{5}{8}$ " I.D.)	1	
43	422166/3	BRAKE ROD (front to rear idler lever)	1	
—	13105	Plain Nut ($\frac{5}{16}$ " U.F.)	2	
44	422167	Brake Rod Fork End (at front idler lever)	1	
45	422531/18	Fork End Pin	1	
—	422500/02	Plain Washer ($\frac{5}{16}$ " I.D.)	1	
46	422529/1	Brake Rod Fork End (at rear idler lever)	1	
47	422531/19	Fork End Pin	1	
—	422500/02	Plain Washer ($\frac{5}{16}$ " I.D.)	1	
48	423001	REAR IDLER LEVER	1	
49	422531/20	Rear Idler Lever to Rear Axle Pin	1	
—	422500/02	Plain Washer ($\frac{5}{16}$ " I.D.)	1	
50	423007	REAR BRAKE LINK	1	
51	422531/17	Rear Brake Link to Bell Crank Lever Pin	1	
—	422500/02	Plain Washer ($\frac{5}{16}$ " I.D.)	1	
52	422978	BELL CRANK LEVER AND BUSH ASSEMBLY	1	
53	422527/15	Lever Bush	2	
54	422531/03	Bell Crank Lever to Rear Brake Draw Link Pin	2	

BRAKE OPERATING GEAR

Illus. Ref. No.	Part Number	DESCRIPTION OF PART	No. per set	REMARKS
55	423058	BELL CRANK LEVER SWIVEL AND BUSH ASSEMBLY	1	
—	422527/15	Swivel Bush	2	
—	13306	Slotted Nut ($\frac{3}{8}$ " U.F.)	1	
—	422500/03	Plain Washer ($\frac{3}{8}$ " I.D.)	1	
56	423059	Swivel Pin	1	
57	13308	Slotted Nut ($\frac{1}{2}$ " U.F.)	1	
58	422500/05	Plain Washer ($\frac{1}{2}$ " I.D.)	2	
59	—	Draw Link (right hand) (See Ref. 156)	1	} R.H.D. only
60	—	Draw Link (left hand) (See Ref. 156)	1	
61	—	Draw Link (right hand) (See Ref. 156)	1	} L.H.D. only
62	—	Draw Link (left hand) (See Ref. 156)	1	
63	303996	BRAKE FLUID SUPPLY TANK ASSEMBLY (H3511)	1	
—	303996/02	Tank Cap (H2584)	1	
—	303996/03	Tank Cap Gasket (H1570)	1	
—	303996/04	Tank Outlet Adaptor (H2740)	1	
—	303996/05	Adaptor Nut (H1253)	1	
—	303996/07	Adaptor Gasket (GB4731)	1	
64	303778	Supply Tank Bracket (dash)	1	
—	425193	Supply Tank Bracket Distance Piece	1	} L.H.D. only
—	11104/12	Supply Tank Bracket Bolt ($\frac{1}{4}$ " U.F. \times $1\frac{1}{2}$ ")	3	
—	12104/04	Bracket to Dash Screw ($\frac{1}{4}$ " U.F. \times $\frac{1}{2}$ ")	3	} R.H.D. only
—	422508/15	Shakeproof Washer ($\frac{1}{4}$ " int.)	3	
65	424724	Supply Tank Clamp	1	
—	12104/04	Clamp Screw ($\frac{1}{4}$ " U.F. \times $\frac{1}{2}$ ")	2	
—	13104	Plain Nut ($\frac{1}{4}$ " U.F.)	2	
—	422508/15	Shakeproof Washer ($\frac{1}{4}$ " int.)	2	
66	425159	PIPE (supply tank to low pressure hose)	1	R.H.D. only
67	425170	PIPE (supply tank to low pressure hose)	1	L.H.D. only
68	425160	Pipe Nut (H1337)	1	
—	424942	Pipe to Frame Clip	1	
—	422544/09	Clip Screw (ANF No. 10 \times $\frac{5}{8}$ ")	1	
—	422543/2	Plain Nut (ANF No. 10)	1	
—	422508/11	Shakeproof Washer (2 B.A. int.)	1	
69	425161	LOW PRESSURE HOSE (H1278A)	1	
—	304107	Low Pressure Hose Clip	2	
70	425148	Master Cylinder Inlet Banjo (H1284)	1	} R.H.D. only
71	425149	Banjo Bolt (H1051)	1	
—	425150	Banjo Bolt Gasket (large) (H1050)	1	
—	425146	Banjo Bolt Gasket (small) (40135)	1	
72	425143	Master Cylinder Outlet Banjo (H5017)	1	
73	425144	Banjo Bolt (H1252)	1	
—	425145	Banjo Bolt Gasket (large) (40137)	1	
—	425146	Banjo Bolt Gasket (small) (40135)	1	
—	425147	Banjo to Master Cylinder Hose Gasket (H1237)	1	
74	425152	Master Cylinder Inlet Connection (H1021)	1	
—	425146	Connection Gasket (40135)	1	
75	425151	Master Cylinder Outlet Union (H5018)	1	
—	425145	Union to Master Cylinder Gasket (40137)	1	
—	425147	Union to Master Cylinder Hose Gasket (H1237)	1	

BRAKE OPERATING GEAR

Illus. Ref. No.	Part Number	DESCRIPTION OF PART	No. per set	REMARKS
76	304108/3	MASTER CYLINDER HOSE (H3670B)	1	
77	304108/3	MASTER CYLINDER HOSE (H3670B)	1	
—	425162	Hose Nut (30-BS-63)	1	
78	304170	PIPE (master cylinder hose to tee piece)	1	R.H.D. only
79	304174	PIPE (master cylinder hose to tee piece)	1	L.H.D. only
80	425165	Pipe Nut (to master cylinder hose) (H2603)	1	
81	425166	Pipe Nut (to tee piece) (H3276)	1	
—	425456	Pipe to Frame Clip	1	
—	422544/09	Clip Screw (ANF No. 10 × $\frac{5}{8}$ ")	1	
—	422543/2	Plain Nut (ANF No. 10)	1	
—	422508/11	Shakeproof Washer (2 B.A. int.)	1	
82	425167	Tee Piece (H3529)	1	
—	12106/07	Tee Piece to Frame Bolt ($\frac{3}{8}$ " U.F. × $\frac{7}{8}$ ")	1	
—	13106	Plain Nut ($\frac{3}{8}$ " U.F.)	1	
—	422508/21	Shakeproof Washer ($\frac{3}{8}$ " int.)	1	
83	304171	PIPE (tee piece to front hose) (left hand)	1	} R.H.D. only
84	304172	PIPE (tee piece to front hose) (right hand)	1	
85	304175	PIPE (tee piece to front hose) (left hand)	1	} L.H.D. only
86	304176	PIPE (tee piece to front hose) (right hand)	1	
87	425166	Pipe Nut (to tee piece) (H3276)	2	
88	425165	Pipe Nut (to front hose) (H2603)	2	
—	425162	Front Hose to Frame Bracket Nut (30-BS-63)	2	
—	302922	HANDBRAKE CONTROL ASSEMBLY	1	
89	302922/01	Outer Sleeve and Welded Clip Assembly (GB42547L)	1	
—	302922/09	Inner Sleeve Assembly (GB38250M)	1	
90	302922/05	Handle and Inner Sleeve (GB24996)	1	
91	302922/06	Pawl (GB21441)	1	
—	302922/07	Pawl Rivet (64-BS-10)	1	
92	302922/08	Pawl Spring (GB19417)	1	
93	302922/13	Inner Sleeve Spring (GB19643)	1	
94	302922/14	Trigger (GB24997)	1	
95	302922/15	Trigger Pivot (GB19250)	1	
96	302922/16	Push Rod (GB39784)	1	
97	302922/17	Push Rod Spring (GB18983)	1	
98	302922/10	Operating Wedge (GB21845)	1	
99	302922/11	Push Rod Nut (GB21766)	1	
100	302922/12	Operating Wedge Spring (GB21846)	1	
101	302922/03	Conduit Abutment (GB20378)	1	
102	302922/02	Support Clip (adjustable) (GB19388)	1	
103	302922/04	Support Clip Distance Piece (GB24443)	2	
—	11104/07	Conduit Abutment Bolt ($\frac{1}{4}$ " U.F. × $\frac{7}{8}$ ")	1	
—	13104	Plain Nut ($\frac{1}{4}$ " U.F.)	1	
—	422508/15	Shakeproof Washer ($\frac{1}{4}$ " int.)	1	
—	11105/11	Support Clip Bolt ($\frac{5}{16}$ " U.F. × $1\frac{3}{8}$ ")	2	
—	13105	Plain Nut ($\frac{5}{16}$ " U.F.)	2	
—	422508/19	Shakeproof Washer ($\frac{5}{16}$ " int.)	2	
—	302468	MASTER CYLINDER ASSEMBLY (4185102)	1	
104	302468/01	Cylinder Body (H1495)	1	
105	302468/02	End Cap (410032)	1	
106	302468/03	End Cap Tab Washer (H1481)	1	
107	302468/04	Plunger (H1477)	1	

BRAKE OPERATING GEAR

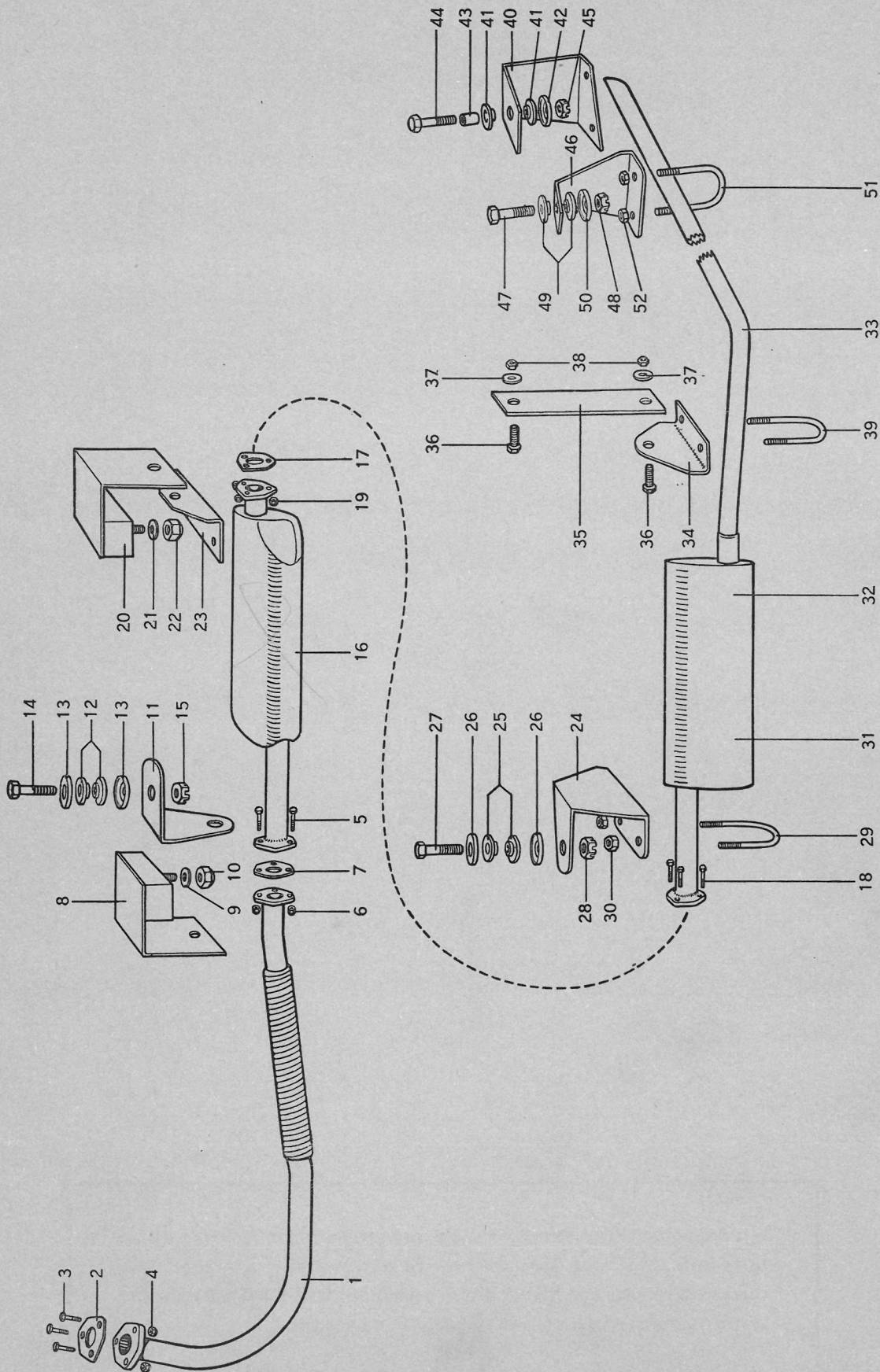
Illus. Ref. No.	Part Number	DESCRIPTION OF PART	No. per set	REMARKS
MASTER CYLINDER ASSEMBLY (continued)				
108	302468/05	Plunger Spring (H1753)	1	
109	302468/06	Recuperating Seal (H1145)	1	
110	302468/08	Outer Seal (468271)	1	
111	302468/07	Outer Seal Spreader (40505)	1	
112	302468/09	Outer Seal Washer (H1480)	1	
113	302468/10	Cylinder Rubber Boot (468035)	1	
114	302468/11	Plunger Locknut (H1497)	1	
115	302468/12	Jaw End (481906)	1	
116	302468/13	Joint Pin (75-BS-6)	1	
—	133040	FRONT BRAKE ASSEMBLY (left hand) (GB41926)	1	
—	133041	FRONT BRAKE ASSEMBLY (right hand) (GB41927)	1	
—	133040/01	Back Plate Assembly (left hand) (GB41928)	1	
117	133041/01	Back Plate Assembly (right hand) (GB41929)	1	
—	133040/02	Snail Cam (GB40612)	4	
—	133040/03	Snail Cam Bush (GB40469)	4	
—	133040/04	Snail Cam Spindle (GB40039)	4	
—	133040/05	Snail Cam Spring (GB39755)	4	
—	133040/06	Brake Shoe and Lining Assembly (left hand) (GB40733)	2	
118	133041/02	Brake Shoe and Lining Assembly (right hand) (GB40734)	2	
119	133040/07	Lining (GB33169)	4	
—	133040/08	Rivet (GB50DC)	48	
120	133040/09	Brake Shoe Return Spring (GB40610)	4	
121	133040/10	Steady Post (GB37148)	4	
—	133040/11	Steady Post Locknut (30-BS-32)	4	
122	133040/12	Steady Post Felt Bush (GB14818)	4	
—	133040/13	Wheel Cylinder Assembly (left hand) (495209)	2	} Up to Chassis No. 65079 See also *Note
123	133041/03	Wheel Cylinder Assembly (right hand) (495210)	2	
—	133040/14	Cylinder Body (left hand) (496759)	2	
124	133041/04	Cylinder Body (right hand) (496760)	2	
125	133040/15	Spring (31121)	4	
126	133040/16	Air Excluder (469823)	4	
127	133040/17	Seal (468315)	4	
128	133040/18	Piston (480271)	4	
129	133040/19	Dust Cap (metal) (482735)	4	
—	133040/27	Wheel Cylinder Assembly (left hand) (495207)	2	
—	133041/06	Wheel Cylinder Assembly (right hand) (495208)	2	} From Chassis No. 65080 See also *Note
—	133040/28	Cylinder Body (left hand) (412661)	2	
—	133041/07	Cylinder Body (right hand) (412671)	2	
—	133040/29	Spring (31118)	4	
—	133040/16	Air Excluder (469823)	4	
—	133040/17	Seal (468315)	4	
—	133040/30	Piston (480255)	4	
—	133040/31	Dust Cap (rubber) (468062)	4	
<p>*Note. Wheel Cylinders 133040/13 and 133041/03 are identifiable by metal dust caps. Wheel Cylinders 133040/27 and 133041/06 are identifiable by rubber dust caps. These cylinders are interchangeable as complete units.</p>				

BRAKE OPERATING GEAR

Illus. Ref. No.	Part Number	DESCRIPTION OF PART	No. per set	REMARKS
FRONT BRAKE ASSEMBLY (continued)				
130	133040/20	Wheel Cylinder Bleeder Screw (H2675)	2	
131	133040/21	Bleeder Screw Rubber Dust Cap (H2005)	2	
132	133040/22	Bleeder Screw Ball (9003/26)	2	
—	133040/23	Wheel Cylinder Stud Nut (30-BS-61)	8	
133	425174/10	Hose (tee piece to back plate) (H3607K)	2	
134	425162	Hose Nut (30-BS-63)	2	
135	133041/05	Pipe (hose to wheel cylinder) (right hand)	1	
—	133040/26	Pipe (hose to wheel cylinder) (left hand)	1	
136	425165	Pipe Nut (to hose) (H2603)	2	
—	425166	Pipe Nut (to wheel cylinder) (H3276)	2	
137	133040/24	Bridge Pipe Assembly (between wheel cylinders) (H3339)	2	
138	425166	Bridge Pipe Nut (H3276)	4	
—	133409	REAR BRAKE ASSEMBLY (left hand) (GB41914) ..	1	R.H.D. only
—	133410	REAR BRAKE ASSEMBLY (right hand) (GB41915)	1	R.H.D. only
—	133411	REAR BRAKE ASSEMBLY (left hand) (GB41972) ..	1	L.H.D. only
—	133412	REAR BRAKE ASSEMBLY (right hand) (GB41973)	1	L.H.D. only
139	133409/01	Back Plate (left hand) (GB41916)	1	
—	133410/01	Back Plate (right hand) (GB41917)	1	
140	133409/02	Leading Brake Shoe and Lining Assembly (GB41920) ..	2	
141	133040/07	Lining (GB33169)	2	
—	133040/08	Rivet (GB50DC)	24	
142	133409/03	Trailing Brake Shoe and Lining Assembly (GB41921) ..	2	
143	133409/04	Lining (GB3177)	2	
—	133040/08	Rivet (GB50DC)	24	
144	133409/05	Brake Shoe Return Spring (GB2478)	4	
145	133409/06	Brake Shoe Steady Post (GB40000)	4	
146	133040/12	Steady Post Felt Bush (GB14818)	4	
—	133409/07	Steady Post Locknut (30-BS-76)	4	
—	133409/08	Adjuster Unit Assembly (GB41302)	2	
147	133409/09	Adjuster Housing (GB41321)	2	
148	133409/10	Tappet (left hand) (GB41322)	2	
149	133409/11	Tappet (right hand) (GB41323)	2	
150	133409/12	Adjuster Cone (GB3D)	2	
—	133409/13	Adjuster Set Bolt (GB41573)	4	
—	133409/14	Expander Unit Assembly (left hand) (GB41922) ..	1	R.H.D. only
—	133410/02	Expander Unit Assembly (right hand) (GB41923) ..	1	R.H.D. only
—	133410/02	Expander Unit Assembly (left hand) (GB41923) ..	1	L.H.D. only
—	133409/14	Expander Unit Assembly (right hand) (GB41922) ..	1	L.H.D. only
151	133409/15	Expander Housing (GB2091)	2	
152	133409/16	Expander Plunger (GB1404)	2	
153	133409/17	Plunger Pin (GB67)	2	
154	133409/18	Expander Tappet (GB2089)	4	
155	133409/19	Expander Roller (GB535)	4	
—	133409/20	Draw Link (left hand) (GB41924)	1	R.H.D. only
156	133410/03	Draw Link (right hand) (GB41925)	1	R.H.D. only
—	133410/03	Draw Link (left hand) (GB41925)	1	L.H.D. only
—	133409/20	Draw Link (right hand) (GB41924)	1	L.H.D. only
—	133409/21	Expander Housing Stud (GB40707)	4	
—	133409/22	Expander Unit Nut (GB5232)	4	
157	133409/23	Draw Link Rubber Dust Cover (GB2501)	2	

It is requested that wherever possible, private owners order replacement parts from the nearest Lanchester distributor or dealer, who will supply them with genuine Lanchester factory replacements. Names and addresses of distributors and dealers will be supplied on request.

EXHAUST SILENCERS & PIPING



EXHAUST SILENCERS & PIPING

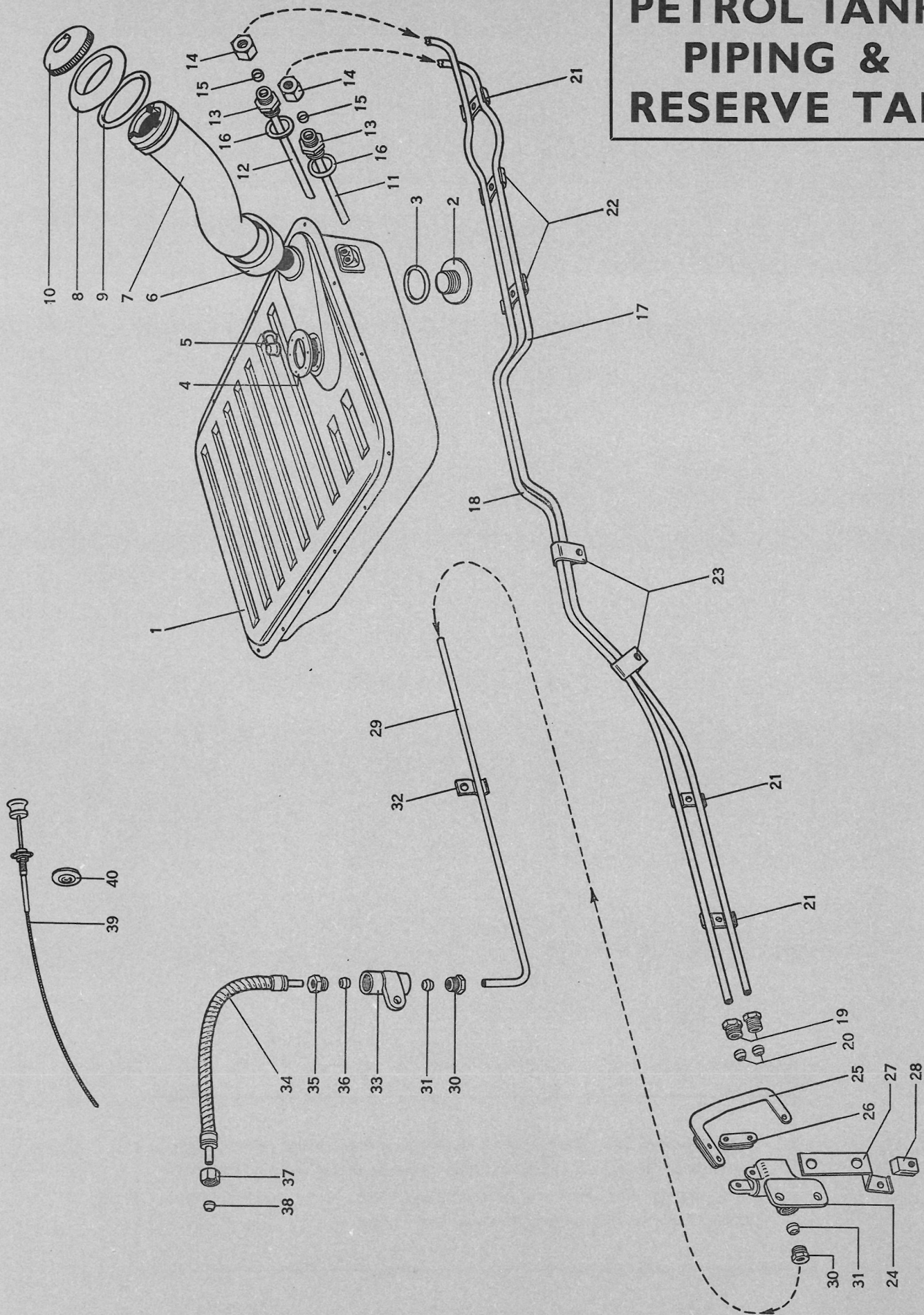
Illus. Ref. No.	Part Number	DESCRIPTION OF PART	No. per set	REMARKS
1	133519 ✓	FRONT EXHAUST PIPE	1	
2	422468 ✓	Pipe to Exhaust Branch (engine) Joint	1	
3	11105/10	Pipe to Branch Bolt ($\frac{5}{16}$ " U.F. \times $1\frac{1}{4}$ ")	3	
4	422512/06	Simmonds Nut ($\frac{5}{16}$ " U.F.)	3	
5	11105/09	Pipe to Front Silencer Bolt ($\frac{5}{16}$ " U.F. \times $1\frac{1}{8}$ ")	3	
6	422512/06	Simmonds Nut ($\frac{5}{16}$ " U.F.)	3	
7	422468 ✓	Pipe to Front Silencer Joint	1	
8	425181 ✗	Exhaust Pipe Front Carrier	1	} From Chassis No. 65080
9	422500/02	Plain Washer ($\frac{5}{16}$ " I.D.)	1	
10	422512/06	Simmonds Nut ($\frac{5}{16}$ " U.F.)	1	
11	423655 ✓	Exhaust Pipe Front Hanger	1	} Up to Chassis No. 65079
12	400369 ✓	Hanger Rubber	2	
13	400370	Hanger Rubber Retainer	2	
14	423442	Hanger Bolt	1	
15	13306	Slotted Nut ($\frac{3}{8}$ " U.F.)	1	
16	133520	FRONT EXHAUST SILENCER	1	
17	422468	Front to Rear Silencer Joint	1	
18	11105/09	Front to Rear Silencer Bolt ($\frac{5}{16}$ " U.F. \times $1\frac{1}{8}$ ")	3	
19	422512/06	Simmonds Nut ($\frac{5}{16}$ " U.F.)	3	
20	425181	Exhaust Pipe Carrier (between silencers)	1	} From Chassis No. 65080
21	422500/02	Plain Washer ($\frac{5}{16}$ " I.D.)	1	
22	422512/06	Simmonds Nut ($\frac{5}{16}$ " U.F.)	1	
23	425184	Exhaust Pipe Hanger	1	
—	12105/05	Hanger to Carrier Screw ($\frac{5}{16}$ " U.F. \times $\frac{5}{8}$ ")	1	
—	13105	Plain Nut ($\frac{5}{16}$ " U.F.)	1	
—	422508/19	Shakeproof Washer ($\frac{5}{16}$ " int.)	1	
24	422691	Exhaust Pipe Hanger (between silencers)	1	} Up to Chassis No. 65079
25	400369	Hanger Rubber	2	
26	400370	Hanger Rubber Retainer	2	
27	423442	Hanger Bolt	1	
28	13306	Slotted Nut ($\frac{3}{8}$ " U.F.)	1	
29	422693	Hanger "U" Bolt	1	
30	13104	Plain Nut ($\frac{1}{4}$ " U.F.)	2	
—	422508/15	Shakeproof Washer ($\frac{1}{4}$ " int.)	2	
31	133521	REAR SILENCER AND REAR EXHAUST PIPE ASSEMBLY	1	
32	133522	REAR EXHAUST SILENCER	1	
33	133523	REAR EXHAUST PIPE	1	
34	425175	Exhaust Pipe Hanger (rear of rear silencer)	1	} From Chassis No. 65080
35	425176	Hanger Support Strip (balata)	1	
36	12106/06	Hanger and Support Strip Screw ($\frac{3}{8}$ " U.F. \times $\frac{3}{4}$ ")	2	
37	425089	Plain Washer ($1\frac{1}{4}$ " O.D. \times $\frac{1}{32}$ " I.D.)	2	
38	13106	Plain Nut ($\frac{3}{8}$ " U.F.)	2	
—	422508/23	Shakeproof Washer ($\frac{3}{8}$ " int.)	2	

EXHAUST SILENCERS & PIPING

Illus. Ref. No.	Part Number	DESCRIPTION OF PART	No. per set	REMARKS
39	423656	Hanger "U" Bolt	1	} From Chassis No. 65080
—	13104	Plain Nut ($\frac{1}{4}$ " U.F.)	2	
—	422508/15	Shakeproof Washer ($\frac{1}{4}$ " int.)	2	
40	304118	Exhaust Pipe Hanger (tail pipe)	1	} From Chassis No. 65080
41	425188	Hanger Rubber	2	
42	425187	Hanger Rubber Retainer	1	
43	425189	Hanger Distance Tube	1	
44	425190	Hanger Bolt	1	
45	13306	Slotted Nut ($\frac{3}{8}$ " U.F.)	1	
46	304037	Exhaust Pipe Hanger (tail pipe)	1	} Up to Chassis No. 65079
47	423442	Hanger Bolt	1	
48	13306	Slotted Nut ($\frac{3}{8}$ " U.F.)	1	
49	400369	Hanger Rubber	2	
50	400370	Hanger Rubber Retainer	1	
51	423656	Hanger "U" Bolt	1	
52	13104	Plain Nut ($\frac{1}{4}$ " U.F.)	2	
—	422508/15	Shakeproof Washer ($\frac{1}{4}$ " int.)	2	

It is requested that wherever possible, private owners order replacement parts from the nearest Lanchester distributor or dealer, who will supply them with genuine Lanchester factory replacements. Names and addresses of distributors and dealers will be supplied on request.

PETROL TANK PIPING & RESERVE TAP



PETROL TANK, PIPING & RESERVE TAP

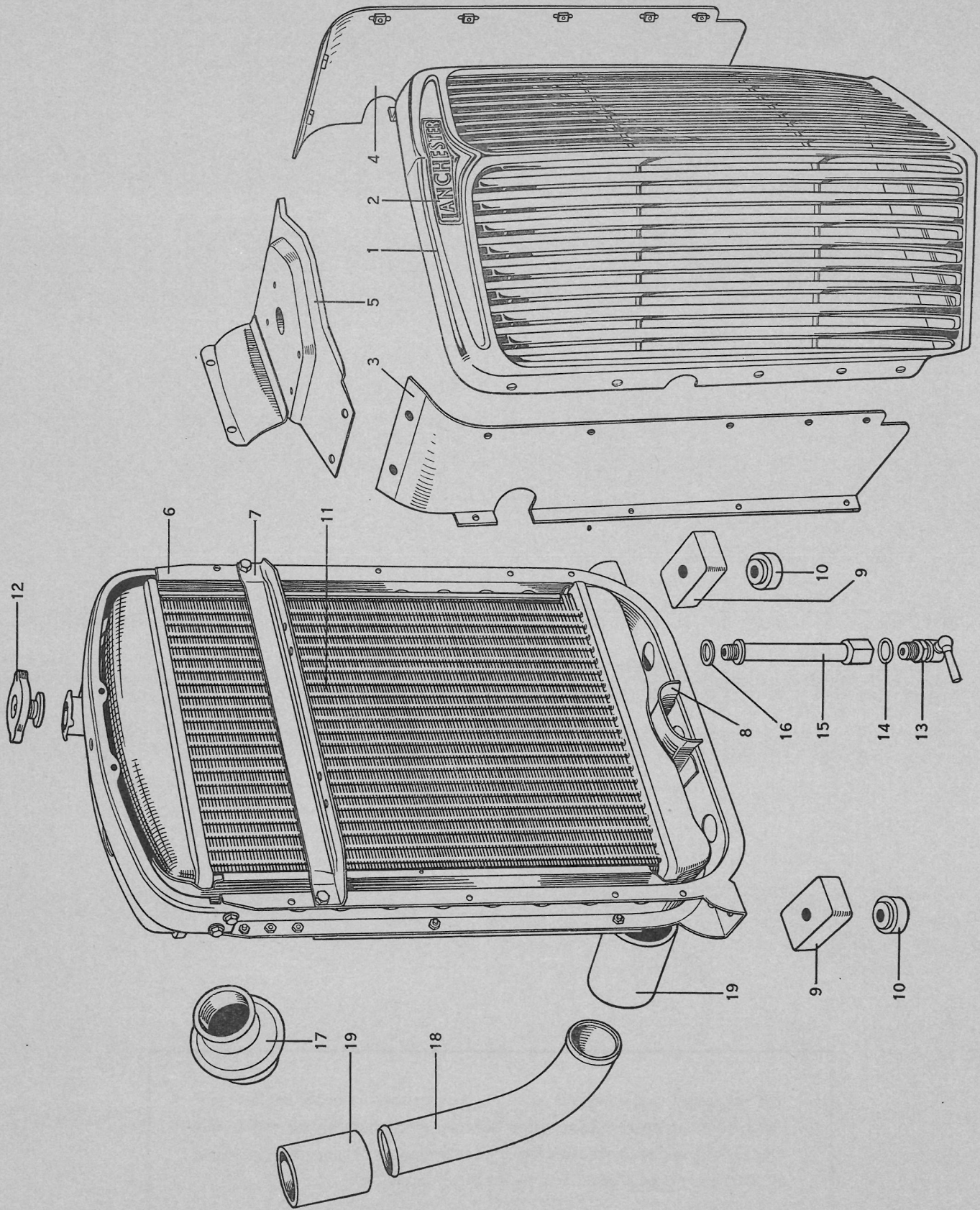
Illus. Ref. No.	Part Number	DESCRIPTION OF PART	No. per set	REMARKS
1	133490	PETROL TANK	1	{ See under Chassis Electrical Equipment Section
—	425213	Petrol Tank Joint (Prestik $\frac{3}{4}$ " wide \times $\frac{1}{8}$ " thick \times 10' long) ..	1	
2	401106	Drain Plug	1	
3	422506/15	C and A Washer	1	
—	—	Petrol Gauge Tank Unit	—	
4	424782	Tank Unit Joint	1	
—	423012	Tank Unit Screw	6	
5	304062	Tank Unit Terminal Rubber Boot	1	
—	11105/06	Petrol Tank Fixing Bolt ($\frac{5}{16}$ " U.F. \times $\frac{3}{4}$ "	16	
—	422508/19	Shakeproof Washer ($\frac{5}{16}$ " int.)	16	
6	416747	Petrol Filler Hose	1	
—	422522/11	Hose Clip	2	
7	424711	Petrol Filler Tube	1	
8	420867	Filler Tube Rubber Grommet	1	
9	424710	Grommet Rubber Ring	1	
10	420553	Petrol Filler Cap (locking)	1	
—	424927	Key (L1921D)	—	{ State Serial No. when ordering
11	423582	Main Outlet Pipe (in tank) Assembly	1	
12	423584	Reserve Outlet Pipe (in tank) Assembly	1	
13	404420	Outlet Pipe Union Assembly	2	
14	404420/01	Union Nut (for petrol pipes)	2	
15	404420/02	Union Olive (for petrol pipes)	2	
16	405481	Outlet Pipe Union Washer	2	
17	133879	MAIN PETROL PIPE (tank to reserve tap)	1	
18	133880	RESERVE PETROL PIPE (tank to reserve tap)	1	
19	424748	Union Nut (Z17) (at reserve tap)	2	
20	424749	Union Olive (Z3) (at reserve tap)	2	
21	416337	Main Reserve Pipe Clip	3	
22	424750	Petrol and Lubrication Pipe Clip	2	
—	422544/09	Clip Bolt (ANF No. 10 \times $\frac{5}{8}$ "	5	
—	422543/2	Plain Nut (ANF No. 10)	5	
—	422508/08	Shakeproof Washer (2 B.A. int.)	5	
23	424751	Petrol and Lubrication Pipe Clip	2	
—	12104/04	Clip Setscrew ($\frac{1}{4}$ " U.F. \times $\frac{1}{2}$ "	2	
—	13104	Plain Nut ($\frac{1}{4}$ " U.F.)	2	
—	422508/15	Shakeproof Washer ($\frac{1}{4}$ " int.)	2	
24	288945	PETROL RESERVE TAP ASSEMBLY	1	
25	424728	Tap Operating Lever	1	
26	404995	Operating Lever Link	1	
—	285473	Operating Lever Pin	3	
27	424729	Reserve Tap Cable Abutment Bracket	1	
—	12105/06	Bracket and Tap to Frame Setscrew ($\frac{5}{16}$ " U.F. \times $\frac{3}{4}$ "	2	
—	13105	Plain Nut ($\frac{5}{16}$ " U.F.)	2	
—	422508/19	Shakeproof Washer ($\frac{5}{16}$ " int.)	2	
28	424766	Reserve Tap Cable Abutment	1	
—	422544/09	Abutment Bolt (ANF No. 10 \times $\frac{5}{8}$ "	1	
—	422543/2	Plain Nut (ANF No. 10)	1	
—	422508/11	Shakeproof Washer (2 B.A. int.)	1	

PETROL TANK, PIPING & RESERVE TAP

Illus. Ref. No.	Part Number	DESCRIPTION OF PART	No. per set	REMARKS
29	133871	INTERMEDIATE PETROL PIPE (reserve tap to connection)	1	
30	418317	Union Nut (Z18)	2	
31	418316	Union Olive (Z4)	2	
32	400292	Intermediate Pipe Clip	1	
—	12104/04	Clip Setscrew ($\frac{1}{4}$ " U.F. \times $\frac{1}{2}$ ")	1	
—	13104	Plain Nut ($\frac{1}{4}$ " U.F.)	1	
—	422508/15	Shakeproof Washer ($\frac{1}{4}$ " int.)	1	
33	424742	CONNECTION (intermediate to flexible pipe) ..	1	
—	12104/09	Connection Setscrew ($\frac{1}{4}$ " U.F. \times $1\frac{1}{8}$ ")	1	
—	13104	Plain Nut ($\frac{1}{4}$ " U.F.)	1	
—	422508/18	Shakeproof Washer ($\frac{1}{4}$ " int.)	1	
34	299930-7	FLEXIBLE PETROL PIPE (connection to pump) ..	1	
35	418317	Union Nut (Z18) (at connection)	1	
36	418316	Union Olive (Z4) (at connection)	1	
37	422786	Union Nut (1524190) (at pump)	1	
38	424890	Union Olive (114631) (at pump)	1	
—	—	PETROL PIPE (pump to carburettor)	—	} See under Engine Section
39	303729	PETROL RESERVE CONTROL CABLE ASSEMBLY	1	
40	423179/2	Control Cable Grommet (dash)	1	
—	424763	Control Cable Clip	1	

It is requested that wherever possible, private owners order replacement parts from the nearest Lanchester distributor or dealer, who will supply them with genuine Lanchester factory replacements. Names and addresses of distributors and dealers will be supplied on request.

RADIATOR & WATER CONNECTIONS

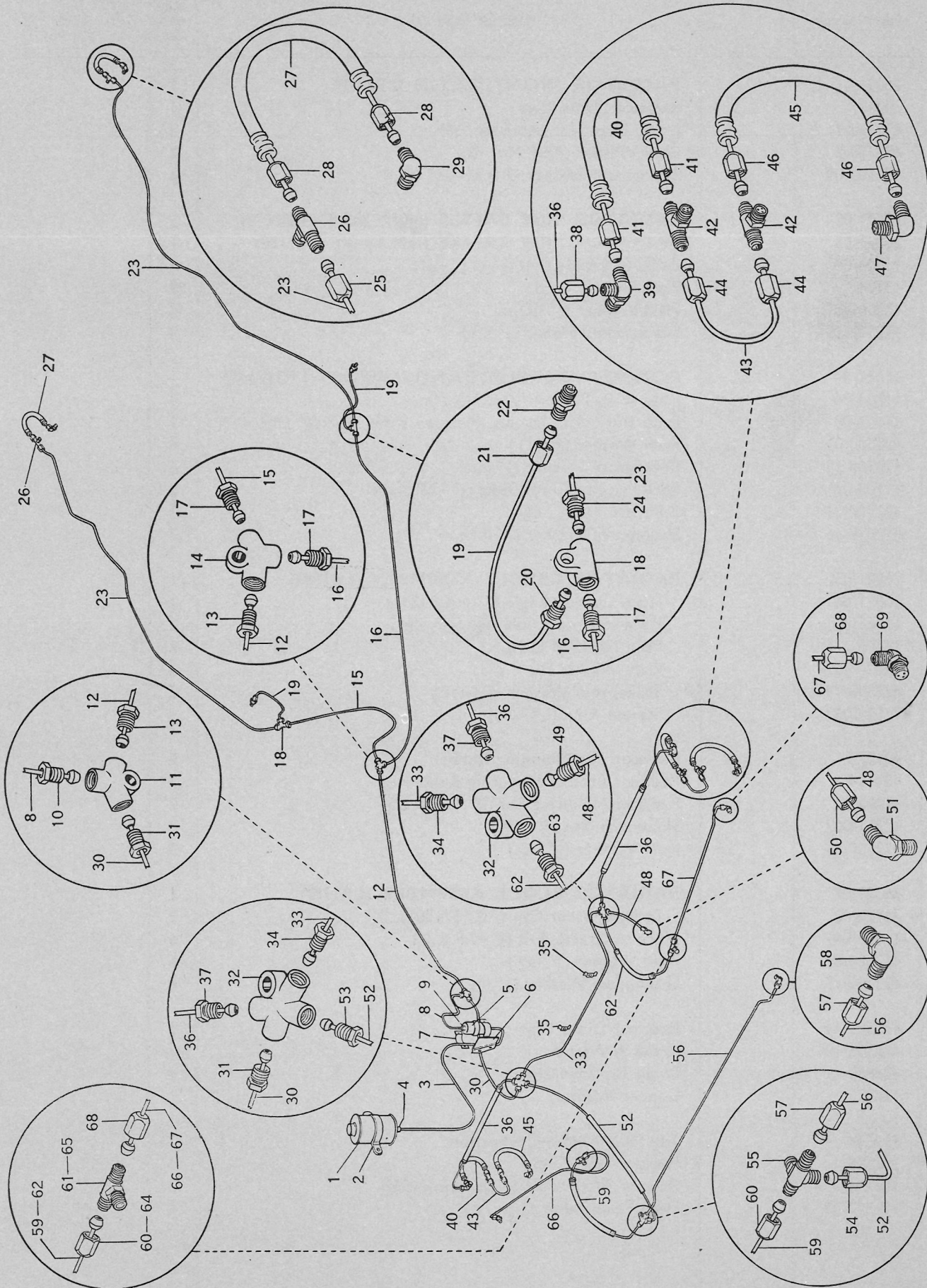


RADIATOR & WATER CONNECTIONS

Illus. Ref. No.	Part Number	DESCRIPTION OF PART	No. per set	REMARKS
1	26021/01	RADIATOR FRONT GRILLE (LR1176)	1	
2	302677	Radiator Name Plate	1	
—	422543/2	Name Plate Nut (ANF No. 10)	2	
—	423199/2	Plain Washer (ANF No. 10)	2	
—	422508/09	Shakeproof Washer (2 B.A.— $\frac{3}{16}$ " int.)	2	
3	26021/02	RADIATOR SIDE BAFFLE (right hand) (LR1179) ..	1	
4	26021/03	RADIATOR SIDE BAFFLE (left hand) (LR1180) ..	1	
—	11104/04	Baffle to Cradle Bolt ($\frac{1}{4}$ " U.F. \times $\frac{1}{2}$ ")	8	
—	13104	Plain Nut ($\frac{1}{4}$ " U.F.)	8	
—	422500/01	Plain Washer ($\frac{1}{4}$ " I.D.)	8	
—	422508/15	Shakeproof Washer ($\frac{1}{4}$ " int.)	8	
5	26021/04	BONNET LOCK PLATE AND SUPPORT (LR1181/82)	1	
—	11104/04	Plate to Baffle Bolt ($\frac{1}{4}$ " U.F. \times $\frac{1}{2}$ ")	3	
—	11104/08	Plate and Lock Distance Piece to Baffle Bolt ($\frac{1}{4}$ " U.F. \times 1")	1	
—	422500/01	Plain Washer ($\frac{1}{4}$ " I.D.)	4	
—	422508/15	Shakeproof Washer ($\frac{1}{4}$ " int.)	4	
—	11104/04	Lock Plate to Cradle Bolt ($\frac{1}{4}$ " U.F. \times $\frac{1}{2}$ ")	2	
—	422500/01	Plain Washer ($\frac{1}{4}$ " I.D.)	2	
—	422508/15	Shakeproof Washer ($\frac{1}{4}$ " int.)	2	
6	26021/05	RADIATOR CRADLE ASSEMBLY (LR1183)	1	
7	26021/06	Horn Carrier Angle Plate (LR1212)	1	
—	11105/05	Plate to Cradle Bolt ($\frac{5}{16}$ " U.F. \times $\frac{5}{8}$ ")	2	
—	13105	Plain Nut ($\frac{5}{16}$ " U.F.)	2	
—	422500/02	Plain Washer ($\frac{5}{16}$ " I.D.)	2	
—	422508/19	Shakeproof Washer ($\frac{5}{16}$ " int.)	2	
8	26020/06	Starter Arch (LR1206)	1	
9	401578	Radiator Top Mounting Rubber	2	
10	402194	Radiator Bottom Mounting Rubber	2	
—	11106/16	Radiator Mounting Bolt ($\frac{3}{8}$ " U.F. \times 2")	2	
—	422514/07	Simmonds Nut ($\frac{3}{8}$ " U.F.)	2	
—	422500/05	Plain Washer ($\frac{1}{2}$ " I.D.)	2	
11	26021/07	RADIATOR BLOCK ASSEMBLY (LR1187)	1	
12	26020/08	Radiator Filler Cap (AC.1571506)	1	
—	11104/04	Block to Cradle Bolt ($\frac{1}{4}$ " U.F. \times $\frac{1}{2}$ ")	6	
—	422500/01	Plain Washer ($\frac{1}{4}$ " I.D.)	6	
—	422508/15	Shakeproof Washer ($\frac{1}{4}$ " int.)	6	
13	422505/11	Radiator Drain Tap	1	
14	422506/10	C and A Washer	1	
15	424830	Drain Tap Extension	1	
16	424775	Copper Washer	1	
17	411744	Top Water Hose Connection	1	
18	302096	Bottom Water Pipe	1	
19	411746	Bottom Water Pipe Hose Connection	2	
—	422522/08	Hose Connection Clip	6	

CHASSIS LUBRICATION

R.H. Drive is illustrated but all parts are common to L.H. Drive.



CHASSIS LUBRICATION

Illus. Ref. No.	Part Number	DESCRIPTION OF PART	No. per set	REMARKS
1	303848	RESERVOIR ASSEMBLY	1	
—	303996/02	Reservoir Cap (H2584)	1	
—	303996/03	Cap Gasket (H1570)	1	
—	303848/02	Outlet Adaptor (8061-12)	1	
—	303848/03	Adaptor Nut (H1232)	1	
—	303848/04	Adaptor Washer (H1140)	2	
2	51/659087	Reservoir Strap Clip	1	
—	422544/09	Clip Setscrew (ANF No. 10× $\frac{5}{8}$ ")	2	
—	422508/09	Shakeproof Washer (2 B.A.— $\frac{3}{16}$ " int.)	2	
3	424920/2	LUBRICATION PIPE (reservoir to expansion chamber)	1	
—	424918	Compression Sleeve	2	
4	424917	Threaded Nut	2	
—	424942	Pipe to Frame Clip	1	
—	422544/09	Clip Bolt (ANF No. 10× $\frac{5}{8}$ ")	1	
—	422543/2	Plain Nut (ANF No. 10)	1	
—	422508/11	Shakeproof Washer (2 B.A. int.)	1	
5	405377	EXPANSION CHAMBER	1	
6	303947	Expansion Chamber Strap and Baffle	1	
—	12104/04	Baffle to Frame Setscrew ($\frac{1}{4}$ " U.F.× $\frac{1}{2}$ ")	2	
—	13104	Plain Nut ($\frac{1}{4}$ " U.F.)	2	
—	422508/15	Shakeproof Washer ($\frac{1}{4}$ " int.)	2	
7	424858/2	Expansion Chamber Clip	1	
—	12104/05	Clip to Strap Setscrew ($\frac{1}{4}$ " U.F.× $\frac{5}{8}$ ")	2	
—	13104	Plain Nut ($\frac{1}{4}$ " U.F.)	2	
—	422508/15	Shakeproof Washer ($\frac{1}{4}$ " int.)	2	
8	424919/9	LUBRICATION PIPE (expansion chamber to 3-way junction on frame, right hand side)	1	
—	424915	Compression Sleeve	2	
9	424913	Threaded Nut (pipe to chamber)	1	
10	424914	Threaded Bushing (pipe to junction)	1	
11	424912	3-way Flat Mounted Junction (on frame, right hand side)	1	
—	11104/09	Junction to Frame Bolt ($\frac{1}{4}$ " U.F.× $1\frac{1}{8}$ ")	1	
—	13104	Plain Nut ($\frac{1}{4}$ " U.F.)	1	
—	422508/15	Shakeproof Washer ($\frac{1}{4}$ " int.)	1	
12	424919/10	LUBRICATION PIPE (3-way junction on frame to 3-way junction on cruciform centre)	1	
—	424915	Compression Sleeve	2	
13	424914	Threaded Bushing	2	
—	424922	Pipe to Frame Clip	2	
—	422544/09	Clip Bolt (ANF No. 10× $\frac{5}{8}$ ")	2	
—	422543/2	Plain Nut (ANF No. 10)	2	
—	422508/11	Shakeproof Washer (2 B.A. int.)	2	
14	424912	3-way Flat Mounted Junction (on cruciform centre)	1	
—	11104/09	Junction to Cruciform Bolt ($\frac{1}{4}$ " U.F.× $1\frac{1}{8}$ ")	1	
—	13104	Plain Nut ($\frac{1}{4}$ " U.F.)	1	
—	422508/15	Shakeproof Washer ($\frac{1}{4}$ " int.)	1	
15	424919/12	LUBRICATION PIPE (3-way junction on cruciform centre to 3-way junction on cruciform rear, right hand side)	1	

CHASSIS LUBRICATION

Illus. Ref. No.	Part Number	DESCRIPTION OF PART	No. per set	REMARKS
16	424919/12	LUBRICATION PIPE (3-way junction on cruciform centre to 3-way junction on cruciform rear, left hand side)	1	
—	424915	Compression Sleeve	4	
17	424914	Threaded Bushing	4	
—	424922	Pipe to Cruciform Clip	2	
—	422544/09	Clip Bolt (ANF No. $10 \times \frac{5}{8}$ ")	2	
—	422543/2	Plain Nut (ANF No. 10)	2	
—	422508/11	Shakeproof Washer (2 B.A. int.)	2	
18	424910	3-way Foot Mounted Junction (on cruciform, rear)	2	
—	11104/05	Junction to Cruciform Bolt ($\frac{1}{4}$ " U.F. $\times \frac{5}{8}$ ")	2	
—	13104	Plain Nut ($\frac{1}{4}$ " U.F.)	2	
—	422508/15	Shakeproof Washer ($\frac{1}{4}$ " int.)	2	
19	424919/13	LUBRICATION PIPE (3-way junction on cruciform rear to rear spring front eye bolt)	2	
—	424915	Compression Sleeve	4	
20	424914	Threaded Bushing (pipe to junction)	2	
21	424913	Threaded Nut (pipe to straight meter valve)	2	
22	424929/04	Straight Meter Valve (on rear spring front eye bolt)	2	
23	424919/14	LUBRICATION PIPE (3-way junction on cruciform rear to rear spring shackle)	2	
—	424915	Compression Sleeve	4	
24	424914	Threaded Bushing (pipe to junction)	2	
25	424913	Threaded Nut (pipe to tee head meter valve)	2	
—	424922	Pipe to Frame Clip (right hand side only)	4	
—	422544/09	Clip Bolt (ANF No. $10 \times \frac{5}{8}$ ")	4	
—	422543/2	Plain Nut (ANF No. 10)	4	
—	422508/11	Shakeproof Washer (2 B.A. int.)	4	
—	—	Pipe to Frame Clip (left hand side only)	—	} See under Petrol Tank and Piping Section
26	424906/04	Tee Head Meter Valve (on rear spring shackle upper bolt)	2	
27	424921/10	FLEXIBLE CONNECTION (shackle upper to lower bolt)	2	
—	424915	Compression Sleeve	4	
28	424913	Threaded Nut	4	
29	424905/04	Elbow Meter Valve (on rear spring shackle lower bolt)	2	
30	424919/1	LUBRICATION PIPE (3-way junction on frame, right hand side, to 4-way flat mounted junction on front X member)	1	
—	424915	Compression Sleeve	2	
31	424914	Threaded Bushing	2	
32	424938	4-way Flat Mounted Junction (on front X member)	2	
—	11104/09	Junction to X Member Bolt ($\frac{1}{4}$ " U.F. $\times 1\frac{1}{8}$ ")	2	
—	13104	Plain Nut ($\frac{1}{4}$ " U.F.)	2	
—	422508/15	Shakeproof Washer ($\frac{1}{4}$ " int.)	2	
33	424919/11	LUBRICATION PIPE (between 4-way junction)	1	
—	424915	Compression Sleeve	2	
34	424914	Threaded Bushing	2	
35	424941	Pipe to X Member Clip	2	

CHASSIS LUBRICATION

Illus. Ref. No.	Part Number	DESCRIPTION OF PART	No. per set	REMARKS
—	422544/09	Clip Bolt (ANF No. 10 × 5/8")	2	
—	422543/2	Plain Nut (ANF No. 10)	2	
—	422508/11	Shakeproof Washer (2 B.A. int.)	2	
36	299972/4	FLEXIBLE CONNECTION (4-way junction on X member to swivel pin trunnion)	2	
—	424915	Compression Sleeve	4	
37	424914	Threaded Bushing (connection to junction).. .. .	2	
38	424913	Threaded Nut (connection to swivel pin trunnion)	2	
—	424923	Connection to X Member Clip	2	
—	12104/05	Clip Setscrew (1/4" U.F. × 5/8")	2	
—	13104	Plain Nut (1/4" U.F.)	2	
—	422508/15	Shakeproof Washer (1/4" int.)	2	
39	424907/04	Horizontal Double Elbow Meter Valve (on swivel pin trunnion)	2	
40	299972/3	FLEXIBLE CONNECTION (swivel pin trunnion to swivel axle)	2	
—	424915	Compression Sleeve	4	
41	424913	Threaded Nut	4	
42	424906/04	Tee Head Meter Valve (on swivel axle)	4	
43	424919/8	LUBRICATION PIPE (between meter valves on swivel axle)	2	
—	424915	Compression Sleeve	4	
44	424913	Threaded Nut	4	
45	424921/12	FLEXIBLE CONNECTION (swivel axle to swivel pin bottom)	2	
—	424915	Compression Sleeve	4	
46	424913	Threaded Nut	4	
47	424905/04	Elbow Meter Valve (on swivel pin bottom).. .. .	2	
48	424919/13	LUBRICATION PIPE (4-way junction on front X member to steering idler lever)	1	
—	424915	Compression Sleeve	2	
49	424914	Threaded Bushing (pipe to junction)	1	
50	424913	Threaded Nut (pipe to idler lever)	1	
51	424905/03	Elbow Meter Valve (on idler lever)	1	
52	412615/5	FLEXIBLE CONNECTION (4-way junction on front X member to drag link)	1	
—	424915	Compression Sleeve	2	
53	424914	Threaded Bushing (pipe to junction)	1	
54	424913	Threaded Nut (pipe to drag link)	1	
—	425048	Connection to Steering Box Clip	1	
55	425047/03	Horizontal Double Tee Head Valve (on drag link).. .. .	1	R.H.D. only
—	424906/03	Horizontal Tee Head Valve (on drag link)	1	L.H.D. only (replaces Ref. No. 55)
56	424919/2	LUBRICATION PIPE (between tee head valve and elbow meter valve on drag link)	1	
—	424915	Compression Sleeve	2	
57	424913	Threaded Nut	2	
—	424925	Pipe to Drag Link Bowden Clip	2	
58	424905/03	Elbow Meter Valve (on drag link)	1	R.H.D. only
—	424907/03	Double Elbow Meter Valve (on drag link)	1	L.H.D. only (replaces Ref. No. 58)

CHASSIS LUBRICATION

Illus. Ref. No.	Part Number	DESCRIPTION OF PART	No. per set	REMARKS
59	424921/15	FLEXIBLE CONNECTION (drag link to track rod)	1	
—	424915	Compression Sleeve	2	
60	424913	Threaded Nut	2	
61	424906/03	Tee Head Meter Valve (on track rod)	1	
62	424921/15	FLEXIBLE CONNECTION (4-way junction on front X member to track rod)	1	
—	424915	Compression Sleeve	2	
63	424914	Threaded Bushing (connection to junction).. .. .	1	
64	424913	Threaded Nut (connection to track rod)	1	
—	424923	Connection to Front X Member Clip	1	
—	12104/05	Clip Setscrew ($\frac{1}{4}$ " U.F. \times $\frac{5}{8}$ ")	1	
—	13104	Plain Nut ($\frac{1}{4}$ " U.F.)	1	
—	422508/15	Shakeproof Washer ($\frac{1}{4}$ " int.)	1	
65	424906/03	Tee Head Meter Valve (on track rod)	1	
66	424919/4	LUBRICATION PIPE (between tee head meter valve and elbow meter valve on track rod) (right hand)	1	
67	424919/1	LUBRICATION PIPE (between tee head meter valve and elbow meter valve on track rod) (left hand)	1	
—	424915	Compression Sleeve	4	
68	424913	Threaded Nut	4	
—	424925	Pipe to Track Rod Bowden Clip	4	
69	424905/03	Elbow Meter Valve (on track rod)	2	

It is requested that wherever possible, private owners order replacement parts from the nearest Lanchester distributor or dealer, who will supply them with genuine Lanchester factory replacements. Names and addresses of distributors and dealers will be supplied on request.

ELECTRICAL EQUIPMENT (CHASSIS & BODY)

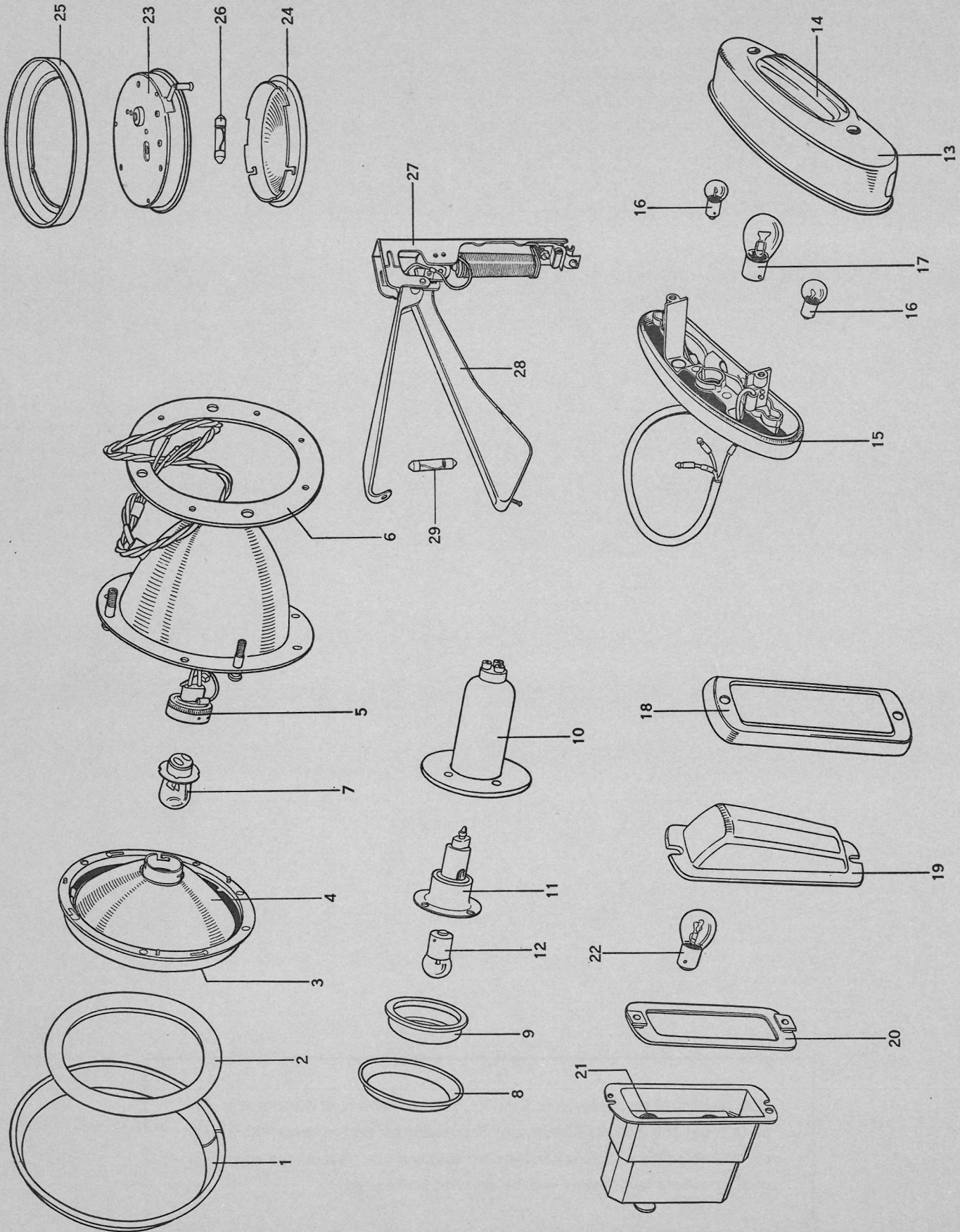


Illustration Reference Nos. 1 - 29

ELECTRICAL EQUIPMENT (CHASSIS & BODY)

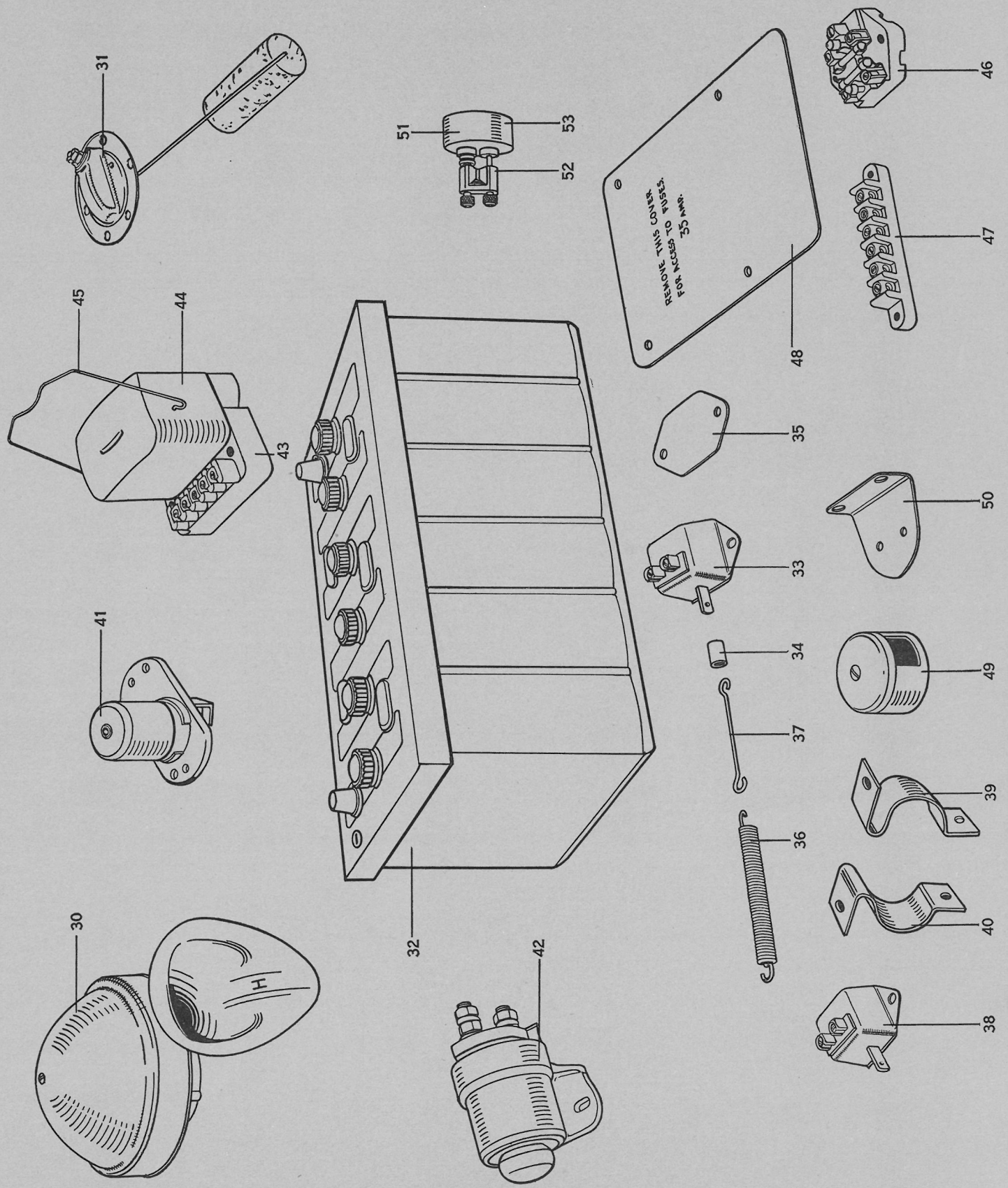


Illustration Reference Nos. 30-53

ELECTRICAL EQUIPMENT (CHASSIS & BODY)

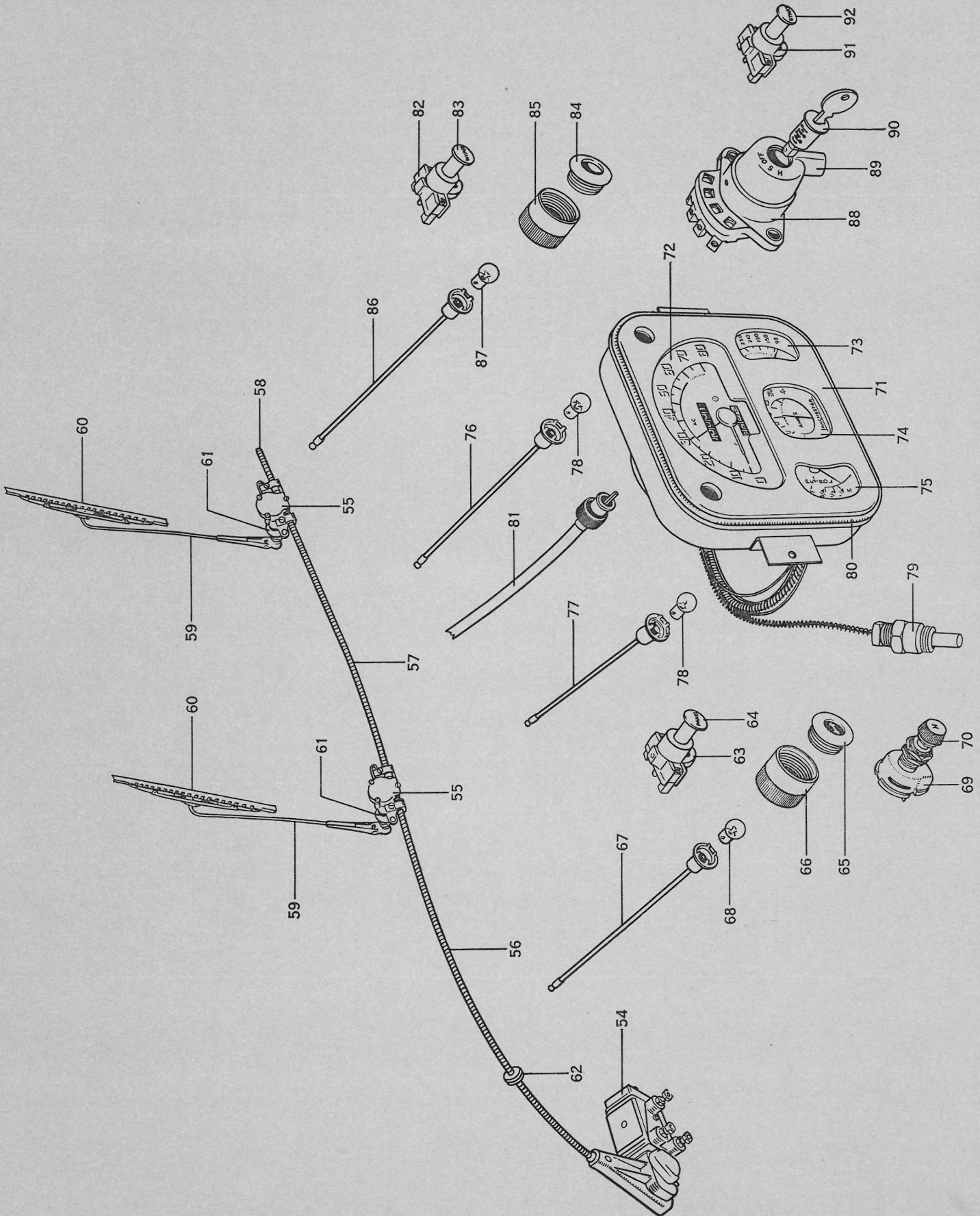


Illustration Reference Nos. 54-92

ELECTRICAL EQUIPMENT (CHASSIS & BODY)

Illus. Ref. No.	Part Number	DESCRIPTION OF PART	No. per set	REMARKS
—	133546	HEADLAMP ASSEMBLY (F700, 50954)	2	R.H.D. only
—	133547	HEADLAMP ASSEMBLY (F700, A50955)	2	L.H.D. except Europe
—	133548	HEADLAMP ASSEMBLY (F700, B50963)	2	{ L.H.D. Europe except France
—	133549	HEADLAMP ASSEMBLY (F700, EF50962)	2	L.H.D. France only
1	133546/01	Outer Rim (552913)	2	
—	133546/02	Rim Screw (552816)	2	
2	133546/03	Rubber Excluder (552906)	2	
3	133546/05	Light Unit Rim (552905)	2	
4	133546/06	Light Unit (553935)	2	R.H.D. only
	133547/06	Light Unit (553562)	2	L.H.D. except Europe
	133548/06	Light Unit (553939)	2	{ L.H.D. Europe except France
	133549/06	Light Unit (553948)	2	L.H.D. France only
5	133546/04	Adaptor (858543)	2	{ R.H.D. and L.H.D. except France
	133549/04	Adaptor (562303)	2	L.H.D. France only
6	133546/08	Rubber Gasket (552915)	2	
7	133546/07	Bulb (No. 354, 12v. 42/36w.)	2	R.H.D. only
	133547/07	Bulb (No. 301, 12v. 36/36w.)	2	L.H.D. except Europe
	133548/07	Bulb (No. 360, 12v. 45/35w.)	2	{ L.H.D. Europe except France
—	—	Bulb (3-pin)	—	{ L.H.D. France only. Not Serviced.
—	422545/12	Headlamp Screw (ANF No. 10 × $\frac{3}{8}$ " Rd. Hd.)	8	
8	303738	SIDELAMP ASSEMBLY (488, 53210)	2	{ R.H.D. and L.H.D. except U.S.A.
	302233	SIDELAMP ASSEMBLY (Flasher) (488, 52162)	2	L.H.D. U.S.A. only
8	303738/01	Front Rim (572734)	2	
9	303738/02	Lens (572706)	2	
10	303738/03	Rubber Body (572703)	2	
11	303738/04	Bulb Holder (552103)	2	{ R.H.D. and L.H.D. except U.S.A.
	302233/04	Bulb Holder (552101)	2	L.H.D. U.S.A. only
12	303738/05	Bulb (No. 207, 12v. 6w.)	2	{ R.H.D. and L.H.D. except U.S.A.
	302233/05	Bulb (No. 361, 12v. 18/6w.)	2	L.H.D. U.S.A. only
—	422545/32	Sidelamp Screw (ANF No. 6 × $\frac{3}{8}$ " Rd. Hd.)	6	
—	133555	NUMBER PLATE & REVERSE LAMP ASSEMBLY (469, 53161)	1	
13	133555/01	Cover (572347)	1	
14	133555/02	Reverse Light Lens (572328)	1	
15	133555/03	Cover Bead Joint (572326)	1	
16	133555/04	Bulb (Number Plate) (No. 989 12v. 6w.)	2	
17	133555/05	Bulb (Reverse Light) (No. 221, 12v. 18w.)	1	
—	133553	STOP/TAIL LAMP ASSEMBLY (464, 53199)	2	{ R.H.D. and L.H.D. except U.S.A.
	133554	STOP/TAIL LAMP ASSEMBLY (Flasher) (464c, 53153)	2	L.H.D. U.S.A. only
18	133553/01	Rim (573153)	2	
19	133553/02	Lens (572876)	2	

ELECTRICAL EQUIPMENT (CHASSIS & BODY)

Illus. Ref. No.	Part Number	DESCRIPTION OF PART	No. per set	REMARKS
		STOP/TAIL LAMP ASSEMBLY (continued)		
20	133553/03	Channel Rubber (571979)	2	
21	302233/04	Interior, Double Contact (552101)	2	
—	303738/04	Interior, Single Contact (552103)	2	L.H.D. U.S.A. only
22	302233/05	Bulb, Double Contact (No. 361, 12v. 18/6w.)	2	
—	133555/05	Bulb, Single Contact (No. 221, 12v. 18w.)	2	L.H.D. U.S.A. only
—	422545/32	Stop/Tail Lamp Screw (ANF No. $6 \times \frac{3}{8}$ " Rd. Hd.)	4	
23	51/638015	INTERIOR LIGHT AND SWITCH ASSEMBLY (WB16011)	1	
24	51/638017	Lens (7'2045)	1	
25	51/638016	Interior Light Bezel (WB421)	1	
26	51/638018	Interior Light Bulb (M528) (No. 254) (12v. 6w. festoon)	1	
—	423196/17	Interior Light Screw (Type Z No. $6 \times \frac{1}{2}$ ")	3	
27	133973	TRAFFICATOR ASSEMBLY (SF.80)	2	
28	133973/01	Trafficator Arm	2	} R.H.D. and L.H.D. except U.S.A.
29	133973/02	Bulb (No. 256, 12v. 3w. festoon)	2	
—	51/632172	Trafficator Filler Piece	2	} U.S.A. only
—	51/632173	Filler Piece Clip	4	
—	422545/11	Clip Screw (ANF No. $10 \times \frac{1}{4}$ " Rd. Hd.)	4	
30	133557	WINDTONE HORN (Low Note) WT614, 69011)	1	
—	133558	WINDTONE HORN (High Note) (WT614, 69012)	1	
—	11104/06	Horn Bolt ($\frac{1}{4}$ " U.F. $\times \frac{3}{4}$ ")	4	
—	13104	Plain Nut ($\frac{1}{4}$ " U.F.)	4	
—	422508/15	Shakeproof Washer ($\frac{1}{4}$ " int.)	4	
31	133881	PETROL GAUGE TANK UNIT	1	
32	302801	BATTERY (12v. GTW11A)	1	
33	410876	STOP LIGHT SWITCH (54c, 31281)	1	
34	405130	Switch Rubber Tube	1	
35	405131	Switch Rubber Mounting	1	
36	402394	Switch Spring	1	
37	285809/5	Switch Spring Link	1	
—	422545/13	Switch Screw (ANF No. $10 \times \frac{1}{2}$ " Rd. Hd.)	2	
—	422543/2	Plain Nut (ANF No. 10)	2	
—	422508/09	Shakeproof Washer (2 B.A.— $\frac{3}{16}$ " int.)	2	
38	410876	REVERSE LIGHT SWITCH (54c, 31281)	1	
39	423683	Switch Bracket (right hand)	1	
40	423684	Switch Bracket (left hand)	1	
—	416106	Switch Plunger	1	
—	422545/12	Switch Screw (ANF No. $10 \times \frac{3}{8}$ " Rd. Hd.)	2	
—	422545/14	Switch Screw (ANF No. $10 \times \frac{5}{8}$ " Rd. Hd.)	1	
—	422508/09	Shakeproof Washer (2 B.A.— $\frac{3}{16}$ " int.)	3	
41	404381	DIPPER SWITCH (FS22/I, 31284)	1	
—	422545/13	Switch Screw (ANF No. $10 \times \frac{1}{2}$ " Rd. Hd.)	2	
—	422508/09	Shakeproof Washer (2 B.A.— $\frac{3}{16}$ " int.)	2	

ELECTRICAL EQUIPMENT (CHASSIS & BODY)

Illus. Ref. No.	Part Number	DESCRIPTION OF PART	No. per set	REMARKS
42	301739	STARTER SOLENOID SWITCH (ST950, 76411) ..	1	
—	422544/09	Switch Bolt (ANF No. 10× $\frac{5}{8}$ ")	2	
—	423199/2	Plain Washer (ANF No. 10)	2	
—	422508/09	Shakeproof Washer (2 B.A.— $\frac{3}{16}$ " int.)	2	
43	303725	CONTROL BOX (RB106/1, 37138)	1	
44	303725/01	Control Box Cover (391600)	1	
45	303725/02	Cover Clip (334906)	1	
—	422547/18	Control Box Screw (ANF No. 10× $1\frac{1}{4}$ " Ch. Hd.)	2	
46	303727	FUSE BOX (SF6, 37132)	1	
—	422547/14	Fuse Box Screw (ANF No. 10× $\frac{5}{8}$ " Ch. Hd.)	2	
47	420763	Terminal Block (TB6, 37101)	2	
48	424863	Terminal Block and Fuse Unit Cover	1	
—	424864	Cover Screw	4	
—	424865	Cover Nut	4	
49	406543	JUNCTION BOX (on steering box) (6J, 78266) ..	1	
50	423685	Junction Box Bracket	1	
—	422547/12	Box Screw (ANF No. 10× $\frac{3}{8}$ " Ch. Hd.)	2	
—	422543/2	Plain Nut (ANF No. 10)	2	
—	422508/09	Shakeproof Washer (2 B.A.— $\frac{3}{16}$ " int.)	2	
51	417970	INSPECTION AND CHARGE SOCKET AND PLUG ASSEMBLY (38604)	1	
52	417970/01	Plug Assembly (304919)	1	
—	417970/02	Positive Socket (304925)	1	
—	417970/03	Negative Socket (304926)	1	
53	417970/04	Base and Posts Assembly (304922)	1	
—	405330	Rubber Grommet (340168)	1	
54	51/648007	WINDSCREEN WIPER MOTOR	1	
55	51/638006	Wiper Wheel Box	2	
56	51/638005	Wiper Flexible Cable (long)	1	
57	51/638004	Wiper Flexible Cable (intermediate)	1	
58	51/638003	Wiper Flexible Cable (short)	1	
59	51/648002	Wiper Arm (737602)	2	R.H.D. only
—	52/648002	Wiper Arm	2	L.H.D. only
60	51/638001	Wiper Blade (738719, 9")	2	
61	51/638008	Spindle Grommet (734652)	2	
62	51/638009	Flexible Cable Grommet	1	
—	422545/13	Wiper Screw (ANF No. 10× $\frac{1}{2}$ " Rd. Hd.)	4	
—	422508/09	Shakeproof Washer (2 B.A.— $\frac{3}{16}$ " int.)	4	
63	303734	PANEL LIGHT SWITCH (PSI6, 31113)	1	
64	423677	Switch Knob (316492)	1	
—	422545/14	Switch Screw (ANF No. 10× $\frac{5}{8}$ " Rd. Hd.)	1	
65	423687	TRAFFICATOR WARNING LIGHT (I570997) ..	1	
66	420759	Light Retaining Nut (I570525)	1	
67	425108/01	Bulb Holder and Wire	1	
68	420757	Bulb (I570839) (12v. 6w.)	1	
—	420154	Light Adaptor	1	} Used only when wooden facia is fitted
—	420155	Light Washer	1	

ELECTRICAL EQUIPMENT (CHASSIS & BODY)

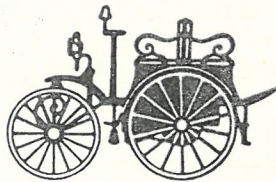
Illus. Ref. No.	Part Number	DESCRIPTION OF PART	No. per set	REMARKS
69	303846	HEATER RHEOSTAT SWITCH (CHRI, 78250) ..	1	
70	423680	Switch Knob (768663)	1	
71	133550	INSTRUMENT PANEL ASSEMBLY	1	} R.H.D. and L.H.D. except Europe
—	133551	INSTRUMENT PANEL ASSEMBLY	1	
72	133550/01	Speedometer (M.P.H.) (1577681)	1	} R.H.D. and L.H.D. except Europe
—	133551/01	Speedometer (K.P.H.) (1577686)	1	
73	133550/04	Temperature Gauge (°F.) (1509774)	1	} R.H.D. and L.H.D. except Europe
—	133551/04	Temperature Gauge (°C.) (1509755)	1	
74	133550/02	Ammeter (1576862)	1	
75	133550/03	Petrol Gauge (1576869)	1	
76	133550/05	Warning Light Bulb Holder and Wire (1570865) ..	2	
77	133550/06	Panel Light Bulb Holder and Wire (1570828) ..	2	
78	420757	Bulb (1570839) (12v. 6w.)	4	
79	133550/07	Capillary Tube Adaptor (in engine thermostat body) (1509509)	1	
80	405349	Instrument Panel Rubber Sealing Ring	1	
—	422545/13	Panel Screw (ANF No. 10 × ½" Rd. Hd.)	2	
—	422508/09	Shakeproof Washer (2 B.A.—⅜" int.)	2	
—	405222	Capillary Tube Rubber Grommet (dash)	1	
81	303807	SPEEDOMETER FLEXIBLE CABLE ASSEMBLY (1577271)	1	
—	303807/01	Inner Cable (1577275)	1	
—	303807/02	Outer Casing (1577272)	1	
—	423179/3	Speedometer Cable Rubber Grommet (dash) (859060) ..	1	
82	303734	WINDSCREEN WIPER SWITCH (PSI6, 31113) ..	1	
83	423678	Switch Knob (316491)	1	
—	422545/14	Switch Screw (ANF No. 10 × ⅝" Rd. Hd.)	1	
84	423686	MAIN BEAM WARNING LIGHT (1571000) ..	1	
85	420759	Light Retaining Nut (1570525)	1	
86	425108/03	Bulb Holder and Wire	1	
87	420757	Bulb (1570839) (12v. 6w.)	1	
—	420154	Light Adaptor	1	} Used only when wooden facia panel is fitted
—	420155	Light Washer	1	
88	133873	LIGHTING AND IGNITION SWITCH (PRS2, 31194)	1	
89	424809	Switch Knob (316287)	1	
—	422545/13	Switch Screw (ANF No. 10 × ½" Rd. Hd.)	2	
90	424926	IGNITION LOCK	1	
—	424927	Ignition Lock Key (L1921D) (state serial number when ordering replacement)	2	
		Note. Ignition Lock Key also fits glove box, door, petrol filler cap and boot lid.		
91	303835	STARTER SWITCH (SS8, 31115)	1	
92	423679	Switch Knob (317335)	1	
—	422545/14	Switch Screw (ANF No. 10 × ⅝" Rd. Hd.)	1	

ELECTRICAL EQUIPMENT (CHASSIS & BODY)

Illus. Ref. No.	Part Number	DESCRIPTION OF PART	No. per set	REMARKS
—	303967	Chassis Harness (right hand side) (820683)	1	
—	303968	Chassis Harness (left hand side) (820682)	1	
—	133967	Panel Harness (997521)	1	
—	303969	Panel Connector Harness (998537)	1	
—	133964	Auxiliary Harness (Stop, Reverse and Dipper switches) (997502)	1	R.H.D. only
—	134120	Auxiliary Harness (Stop, Reverse and Dipper switches)	1	L.H.D. only
—	133968	Body Harness (997842)	1	
—	303970	Number Plate and Reverse Lamp Cable (997843)	1	
—	133966	Boot Harness (997851)	1	
—	424974	Petrol Tank Petrol Gauge Cable (997844)	1	
—	425100	Stop Light Switch Cable (997504)	1	
—	425099	Panel Earth Lead (860638)	1	} Used only with metal facia panel } Used only with wooden facia panel
—	425098	Panel Earth Lead (860639)	1	
—	425155	Cable Ferrule (Oil, Ignition and Trafficator warning light)	3	
—	425101	Sidelamp Cable (997505)	2	
—	304058	Horn Lead (997503)	1	
—	425102	Headlamp PVC Tubing (997506)	2	
—	424961	Cable (starter to solenoid) (999627)	1	
—	424962	Cable (solenoid to battery) (820692)	1	
—	425154	Cable Lug to Battery Screw	1	
—	408619	Cable Clip (to frame) (187048)	4	
—	414273	Cable Clip (under rear seat panel) (187026)	2	
—	422545/13	Clip Bolt (ANF No. $10 \times \frac{1}{2}$ " Rd. Hd.)	6	
—	422543/2	Plain Nut (ANF No. 10)	6	
—	422508/09	Shakeproof Washer (2 B.A.— $\frac{3}{16}$ " int.)	6	
—	424963	Cable (battery to earth) (812512)	1	
—	425154	Cable Lug to Battery Screw	1	
—	12105/06	Cable Bolt (to rear X member) ($\frac{5}{16}$ " U.F. $\times \frac{3}{4}$ ")	1	
—	13105	Plain Nut ($\frac{5}{16}$ " U.F.)	1	
—	422508/19	Shakeproof Washer ($\frac{5}{16}$ " int.)	1	
—	424964	Cable (engine to earth) (820693)	1	
—	423179/3	Rubber Grommet (head and sidelamp wiring in front wing sideshield) (859060)	2	
—	423179/4	Rubber Grommet (wiring in dash) (859061)	2	
—	408619	Cable Clip (head and sidelamp cable under front wing) (187048)	2	
—	422545/12	Clip Bolt (ANF No. $10 \times \frac{3}{8}$ " Rd. Hd.)	2	
—	422543/2	Plain Nut (ANF No. 10)	2	
—	422508/09	Shakeproof Washer (2 B.A.— $\frac{3}{16}$ " int.)	2	
—	414185	Cable Clip (dash, brake fluid bracket mounting hole) (187083)	2	
—	401174	Cable Clip (steering column)	4	
—	424976	Cable Clip (bonnet side panel) (187043)	6	
—	424770	Cable Clip (accelerator bracket mounting hole) (850276)	1	
—	424768	Spring Clip (dash top and heater cut-out)	6	
—	423196/43	Clip Screw (type Z No. $10 \times \frac{3}{8}$ " Rd. Hd.)	6	
—	404694	Cable Clip (dash front, auxiliary harness) (187051)	1	} R.H.D. only
—	423196/43	Clip Screw (type Z No. $10 \times \frac{3}{8}$ " Rd. Hd.)	1	
—	404619	Cable Clip (dash front, auxiliary harness) (187048)	1	
—	423196/43	Clip Screw (type Z No. $10 \times \frac{3}{8}$ " Rd. Hd.)	1	

ELECTRICAL EQUIPMENT (CHASSIS & BODY)

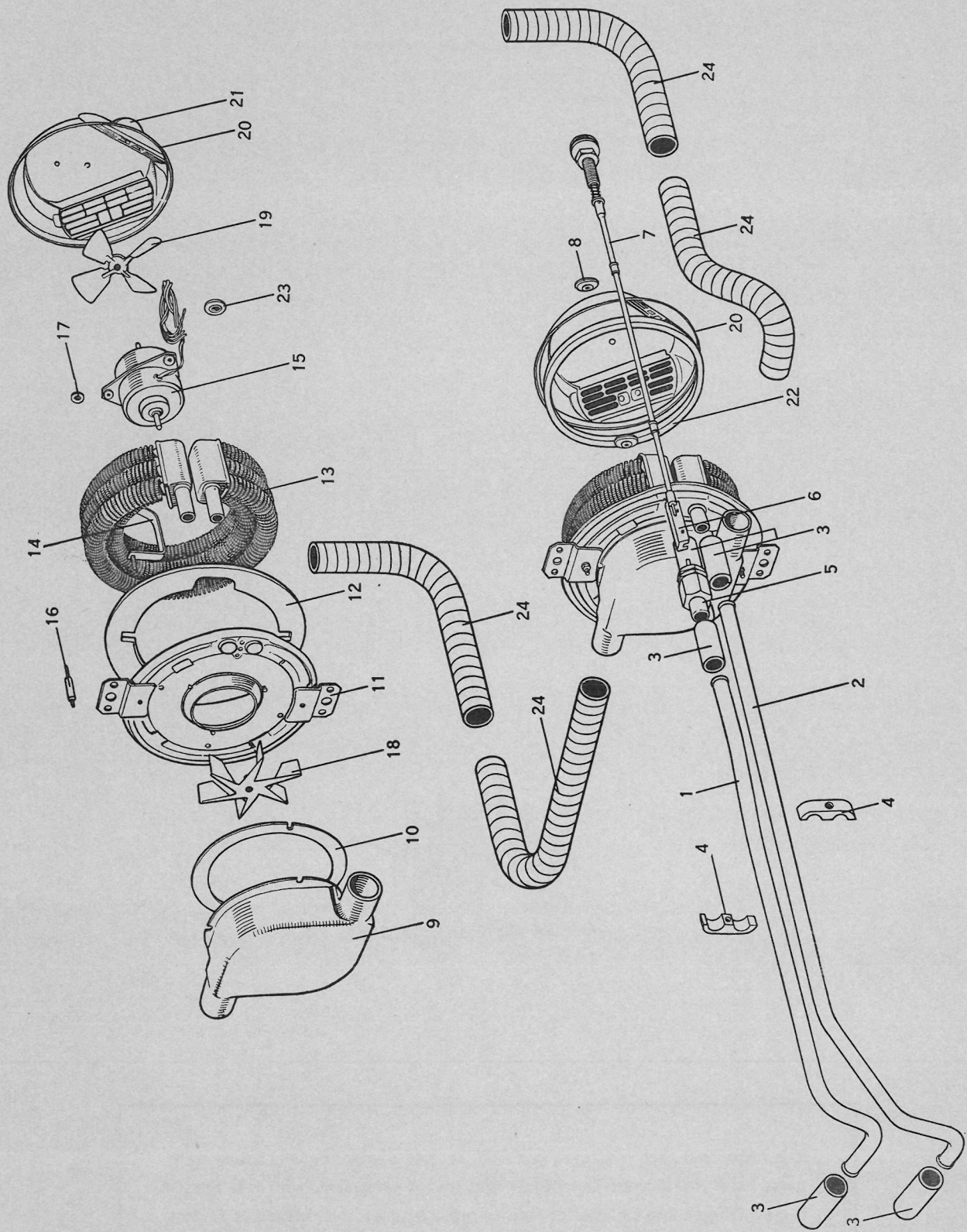
Illus. Ref. No.	Part Number	DESCRIPTION OF PART	No. per set	REMARKS
—	425077	Cable Clip (accelerator bracket mounting hole) (187047)	1	L.H.D. only
—	424768	Spring Clip (dash top and heater cut-out)	3	
—	424769	Spring Clip (dash top and heater cut-out)	3	
—	423196/43	Clip Screw (type Z, No. 10× $\frac{3}{8}$ " Rd. Hd.)	6	
—	404694	Cable Clip (battery cable to frame) (187051)	1	
—	422545/13	Clip Bolt (ANF No. 10× $\frac{1}{2}$ " Rd. Hd.)	1	
—	422543/2	Plain Nut (ANF No. 10)	1	
—	422508/09	Shakeproof Washer (2 B.A.— $\frac{3}{16}$ " int.)	1	
—	406392	Cable Clip (battery and starter cable)	2	
—	414185	Cable Clip (bell crank lever support hole) (187083)	1	
—	12104/03	Clip Bolt ($\frac{1}{4}$ " U.F.× $\frac{3}{8}$ ")	1	
—	422508/15	Shakeproof Washer ($\frac{1}{4}$ " int.)	1	
—	425043	Panel, Windscreen and Starter Switch Support Ring and Stud Assembly	3	Used only when wooden facia panel is fitted
—	422543/2	Plain Nut (ANF No. 10)	3	
—	422508/09	Shakeproof Washer (2 B.A.— $\frac{3}{16}$ " int.)	3	
—	423193/32	Support Ring Wood Screw (No. 8× $\frac{5}{8}$ ")	9	
—	425045	Lighting Switch Support and Stud Assembly	2	
—	422543/2	Plain Nut (ANF No. 10)	2	
—	422508/09	Shakeproof Washer (2 B.A.— $\frac{3}{16}$ " int.)	2	
—	423193/32	Support Wood Screw (No. 8× $\frac{5}{8}$ ")	4	
—	425040	Instrument Panel Support and Stud Assembly	2	
—	422543/2	Plain Nut (ANF No. 10)	2	
—	422508/09	Shakeproof Washer (2 B.A.— $\frac{3}{16}$ " int.)	2	
—	423193/27	Support Wood Screw (No. 8× $\frac{1}{2}$ ")	4	



DANSK VETERANBIL KLUB

It is requested that wherever possible, private owners order replacement parts from the nearest Lanchester distributor or dealer, who will supply them with genuine Lanchester factory replacements. Names and addresses of distributors and dealers will be supplied on request.

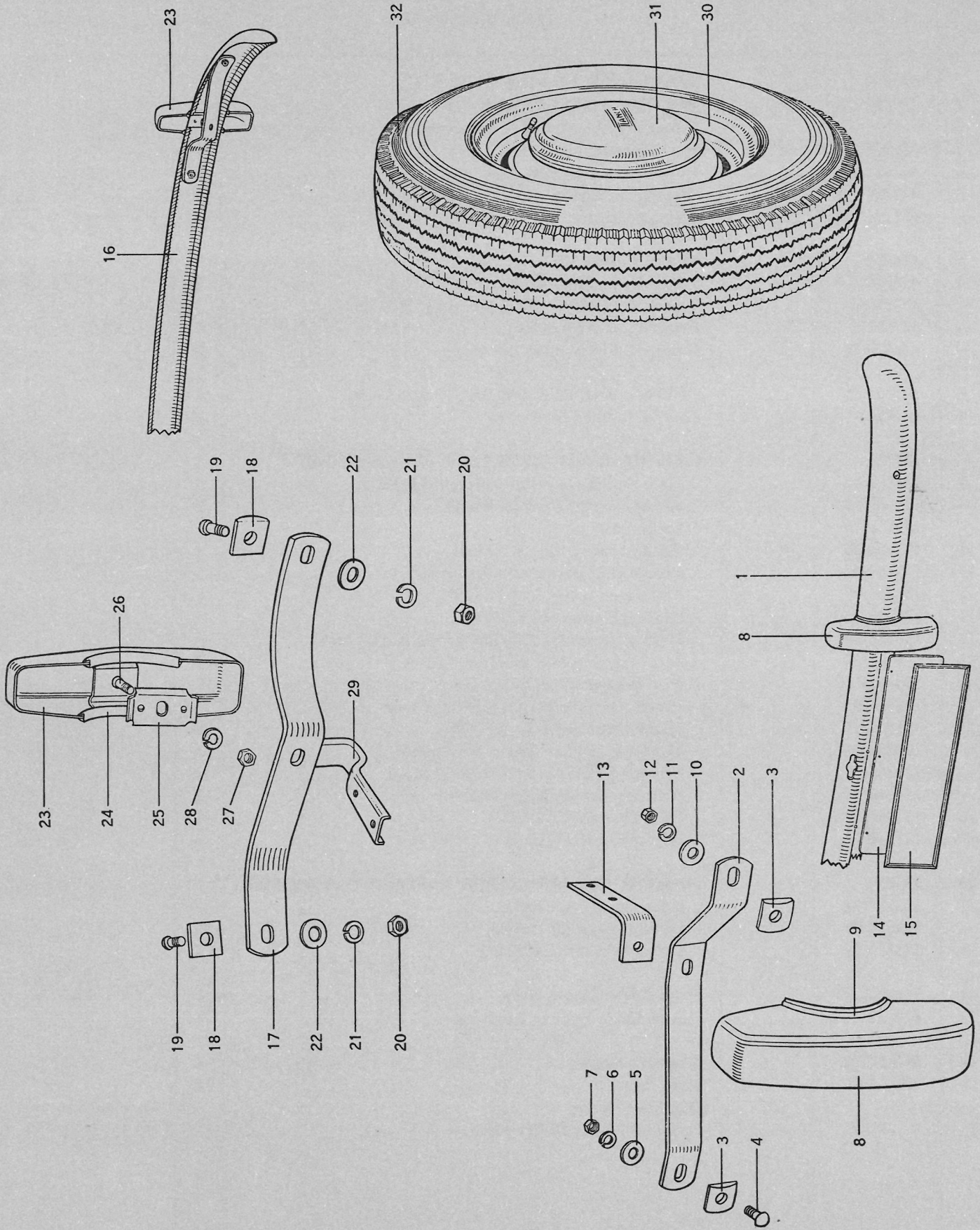
HEATER & DEMISTER



HEATER & DEMISTER

Illus. Ref. No.	Part Number	DESCRIPTION OF PART	No. per set	REMARKS
1	133860	WATER INLET PIPE	1	{ See under Engine Section
2	133861	WATER OUTLET PIPE	1	
—	—	Water Pipe Nozzle (to thermostat body and water pump)	—	
3	422704	Hose Connection	5	
—	422522/03	Hose Connection Clip	10	
4	418267-1-2	Water Pipe Clamp	1	
—	423361	Clamp Setscrew	1	
5	424780	WATER VALVE	1	
6	425075	Water Valve Connector	1	
—	422545/34	Water Valve Screw (ANF No. 6 × $\frac{5}{8}$ " Rd. Hd.)	2	
—	422543/4	Plain Nut (ANF No. 6)	2	
—	422508/06	Shakeproof Washer ($\frac{1}{8}$ " int.)	2	
7	303764/01	WATER VALVE CONTROL ASSEMBLY	1	
8	424852	Control Rubber Grommet	2	
—	133866	HEATER UNIT ASSEMBLY (Clayton CB48)	1	
9	133866/08	Twin Outlet Demister Volute (ST1939/1)	1	
—	133866/13	Volute Fixing Screw (SF175/4)	2	
—	133866/10	Lockwasher (SF415/14)	2	
10	133866/06	Volute Sealing Ring (CT3495)	1	
11	133866/07	Heater Unit Backplate (ST1626/2B)	1	
12	133866/05	Backplate Sealing Ring (CT3496/1)	1	
13	133866/01	Heating Element (CT2989AD)	1	
14	133866/04	Element Retaining Clip and Screw (CT3497/1A)	2	
—	133866/17	Retaining Clip Nut (SF135/3) (2 B.A.)	2	
—	133866/18	Plain Washer (SF212/3) (2 B.A.)	2	
15	133866/03	Heater Unit Motor (CT4384/2) (12 v.)	1	
16	133866/09	Motor Mounting Stud (CT4437)	3	
17	133866/11	Mounting Rubber Grommet (CT3136/3)	3	
—	133866/12	Mounting Plain Nut (SF135/4) (3 B.A.)	3	
—	133866/14	Plain Washer (SF212/4) (3 B.A.)	9	
18	133866/19	Demister Fan (CT2499/1)	1	
19	133866/02	Heater Fan (CT3262/1)	1	
20	133854	HEATER FRONT COVER ASSEMBLY (ST1627/2E)	1	
21	133854/02	Door Handle (CT2507)	2	
—	133854/03	Handle Screw (SF246/4X)	4	
—	133854/04	Spring Washer (CT2521A)	4	
22	51/635102	Front Cover Sealing Ring	1	
23	423179/1	Heater Cable Rubber Grommet	1	
24	51/631226	Demister Hose	4	{ See under Body Section See under Electrical Equipment Section
—	422522/05	Hose Clip	8	
—	—	Demister Nozzle	—	
—	—	Heater Rheostat Switch (dash)	—	

BUMPERS & WHEELS



BUMPERS & WHEELS

Illus. Ref. No.	Part Number	DESCRIPTION OF PART	No. per set	REMARKS
—	133396	FRONT BUMPER ASSEMBLY	1	
1	133395	Bumper Bar	1	
2	302986	Bumper Support Spring	2	
3	423259	Support Spring Packing Piece	4	
4	133396/01	Spring to Bar Bolt (RS31/60)	2	
5	133396/03	Plain Washer (RS14/101)	2	
6	133396/04	Spring Washer (RS12/18)	2	
7	133396/02	Plain Nut (RS11/12)	2	
8	302989	Over-rider	2	
9	133396/06	PVC Moulding (RS66/2)	4	
—	133396/05	Over-rider to Bar Bolt (RS31/51)	2	
10	133396/03	Plain Washer (RS14/101)	2	
11	133396/04	Spring Washer (RS12/18)	2	
12	133396/02	Plain Nut (RS11/12)	2	
13	422967	FRONT BUMPER TO FRAME BRACKET	2	
—	11106/07	Bracket to Frame Bolt ($\frac{3}{8}$ " U.F. \times $\frac{7}{8}$ ")	4	
—	13106	Plain Nut ($\frac{3}{8}$ " U.F.)	4	
—	422508/21	Shakeproof Washer ($\frac{3}{8}$ " int.)	4	
—	11106/08	Bumper to Bracket Bolt ($\frac{3}{8}$ " U.F. \times 1")	2	
—	13106	Plain Nut ($\frac{3}{8}$ " U.F.)	2	
—	422500/03	Plain Washer ($\frac{3}{8}$ " I.D.)	2	
—	422508/21	Shakeproof Washer ($\frac{3}{8}$ " int.)	2	
14	304057	FRONT NUMBER PLATE SUPPORT	1	
—	12304/04	Support Setscrew ($\frac{1}{4}$ " U.F. \times $\frac{1}{2}$ " C'sk. Hd.)	3	
—	13104	Plain Nut ($\frac{1}{4}$ " U.F.)	3	
—	422508/15	Shakeproof Washer ($\frac{1}{4}$ " int.)	3	
15	304061	FRONT NUMBER PLATE	1	
—	422545/12	Plate Screw (ANF No. 10 \times $\frac{3}{8}$ " Rd. Hd.)	2	
—	422543/2	Plain Nut (ANF No. 10)	2	
—	422508/09	Shakeproof Washer (2 B.A. — $\frac{3}{16}$ " int.)	2	
—	133397	REAR BUMPER ASSEMBLY	1	
16	302987	Bumper Bar	1	
17	302988	Bumper Support Spring	2	
18	423259	Support Spring Packing Piece	4	
19	133396/01	Spring to Bar Bolt (RS31/60)	4	
20	133396/02	Plain Nut (RS11/12)	4	
21	133396/04	Spring Washer (RS12/18)	4	
22	133396/03	Plain Washer (RS14/101)	4	
23	304019	Over-rider	2	
24	133396/06	PVC Moulding (RS66/2)	4	
25	423260	Over-rider Adaptor Plate	2	
26	133396/05	Over-rider to Bar Bolt (RS31/51)	2	
27	133396/02	Plain Nut (RS11/12)	2	
28	133396/04	Spring Washer (RS12/18)	2	

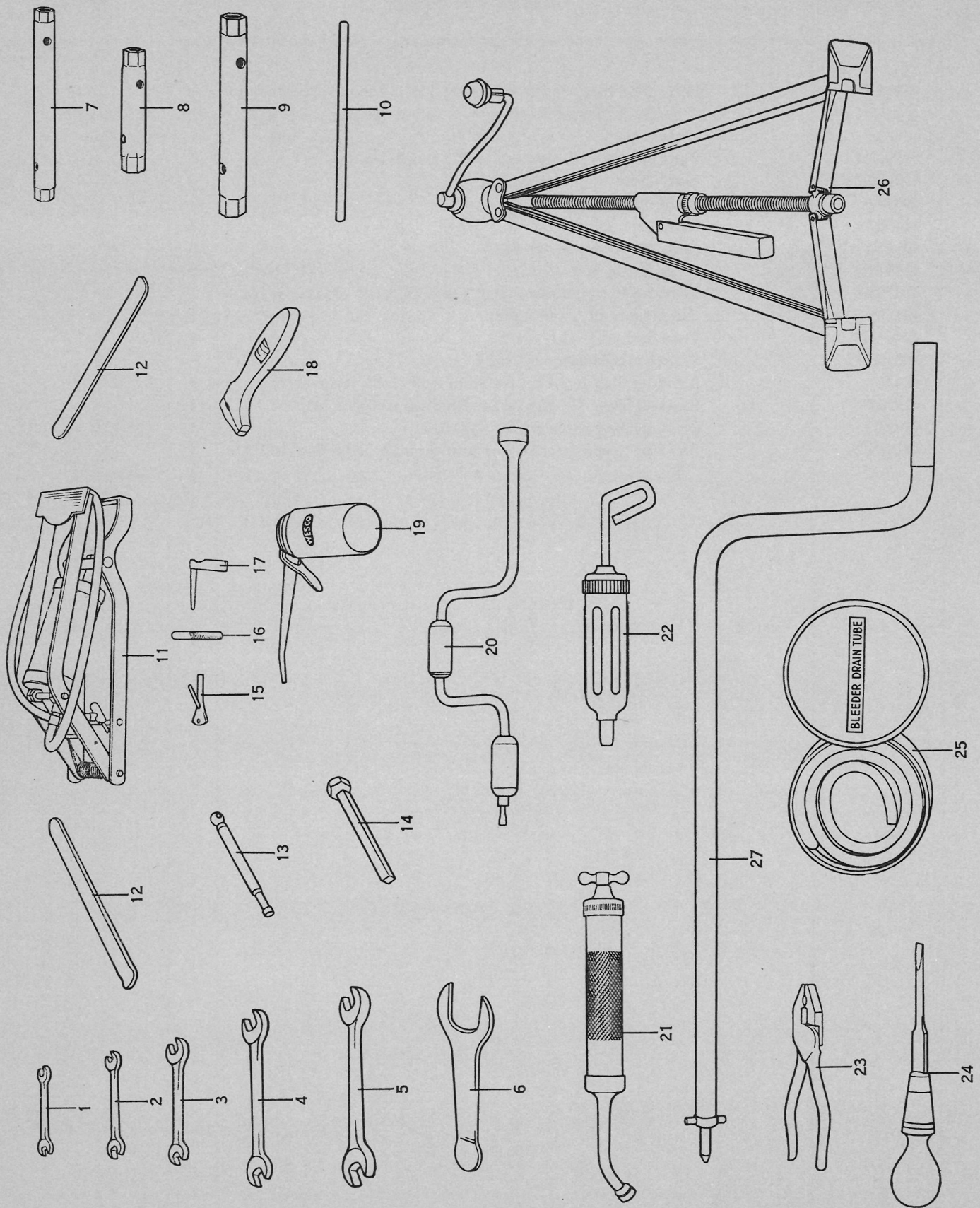
BUMPERS & WHEELS

Illus. Ref. No.	Part Number	DESCRIPTION OF PART	No. per set	REMARKS
29	425046	REAR BUMPER TO FRAME BRACKET	2	
—	11106/05	Bracket to Frame Bolt ($\frac{3}{8}$ " U.F. \times $\frac{5}{8}$ ")	4	
—	422508/21	Shakeproof Washer ($\frac{3}{8}$ " int.)	4	
—	11106/12	Bumper to Bracket Bolt ($\frac{3}{8}$ " U.F. \times $1\frac{1}{2}$ ")	2	
—	13106	Plain Nut ($\frac{3}{8}$ " U.F.)	2	
—	422500/03	Plain Washer ($\frac{3}{8}$ " I.D.)	2	
—	422508/21	Shakeproof Washer ($\frac{3}{8}$ " int.)	2	
30	133408	ROAD WHEEL	5	
31	133407	Road Wheel Hub Cap	4	
32	423286	Tyre and Tube (6.70 \times 15 Cushion)	5	

BODY MOUNTING

Illus. Ref. No.	Part Number	DESCRIPTION OF PART	No. per set	REMARKS
—	12206/11	Body Mounting Setscrew (point Nos. 1 inner, 1 outer, 2 inner, 2 centre, 3 inner, 4, 5 and 6) ($\frac{3}{8}$ " U.F. \times $1\frac{3}{8}$ " C'sk. Hex. Hd.)	15	
—	11106/11	Body Mounting Bolt (point Nos. 2 and 3 outer) ($\frac{3}{8}$ " U.F. \times $1\frac{3}{8}$ "	4	
—	422500/03	Body Mounting Washer ($\frac{3}{8}$ " I.D.)	4	
—	400994	Body Mounting Rubber	19	
—	265809	Body Mounting Locating Washer	19	
—	401650	Body Mounting Balata Pad	38	
—	423432	Body Fixing Nut	6	
—	424765	Blanking Plug (rubber) (accelerator X shaft bracket holes)	1	
—	424725	Blanking Plate (handbrake)	1	
—	12104/04	Plate Screw ($\frac{1}{4}$ " U.F. \times $\frac{1}{2}$ "	4	
—	422508/15	Shakeproof Washer ($\frac{1}{4}$ " int.)	4	
—	424764	Blanking Plug (rubber) (selector bell crank lever holes) ..	3	L.H.D. only
—	424764	Blanking Plug Rubber (brake fluid reservoir holes) ..	3	
—	424930	Blanking Plug (accelerator rod hole)	1	L.H.D. only
—	422545/11	Blanking Screw (accelerator bracket hole) (ANF No. 10 \times $\frac{1}{4}$ " Rd. Hd.)	3	L.H.D. only

TOOL KIT



BODY DETAILS

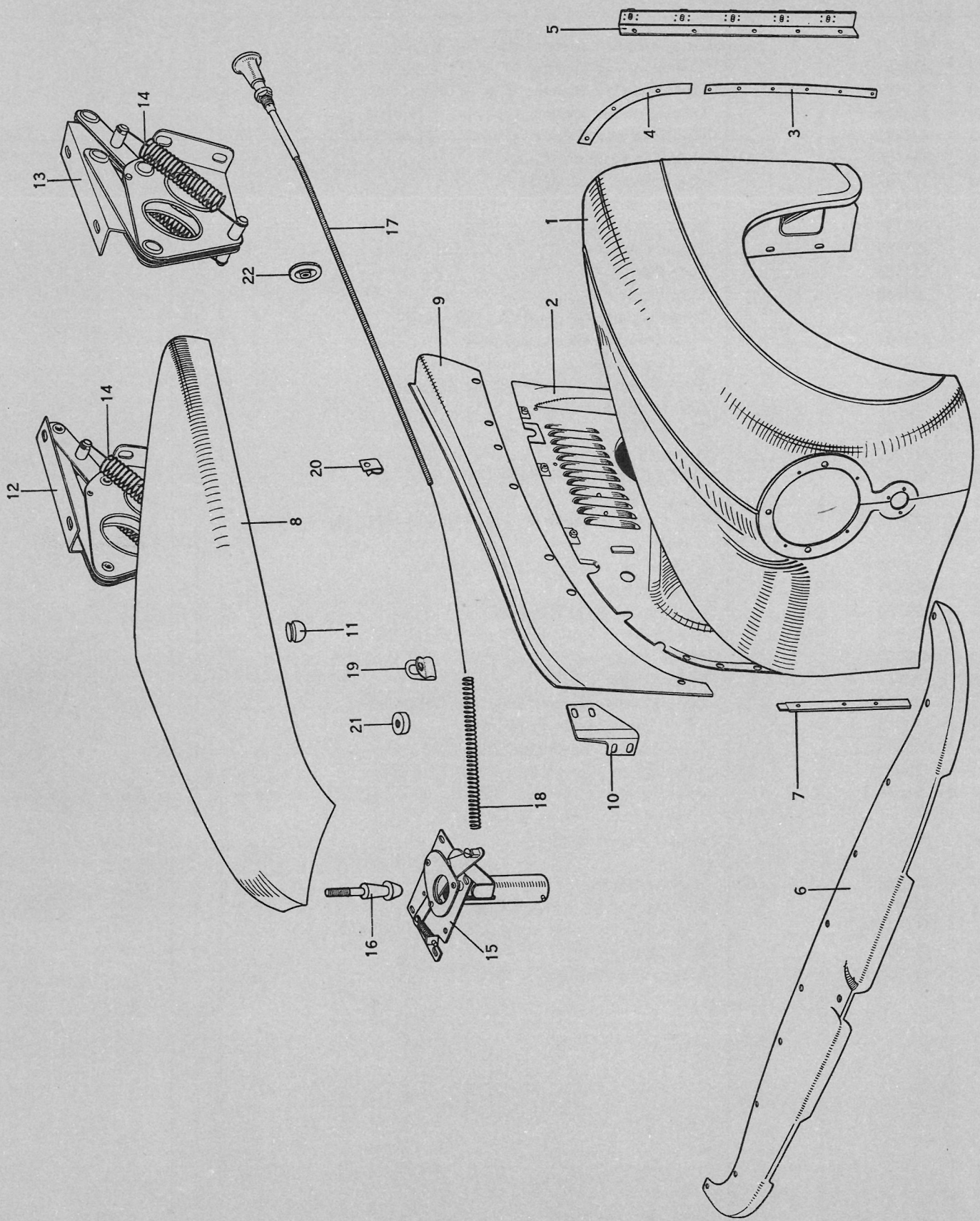


Illustration Reference Nos. 1 - 22

BODY DETAILS

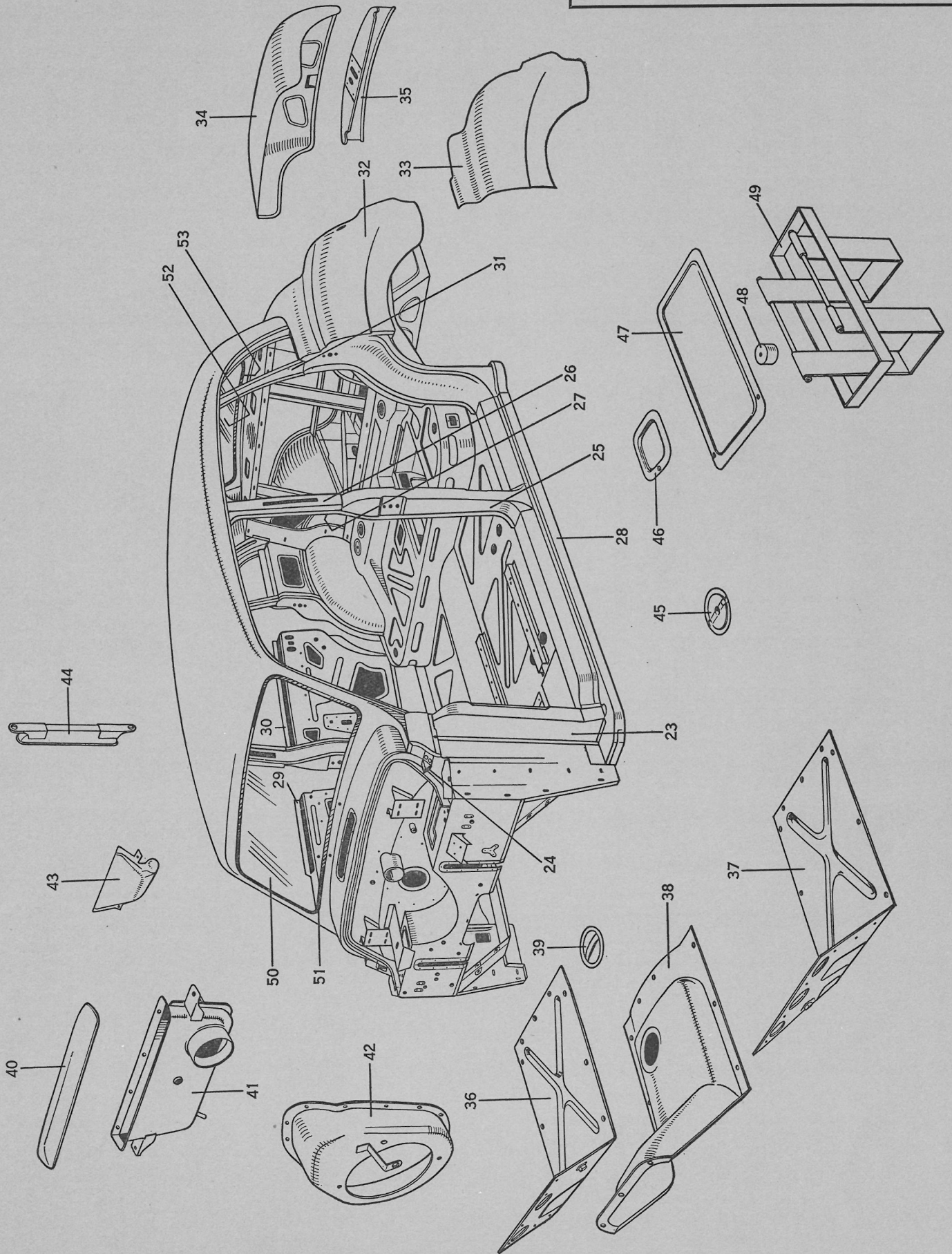


Illustration Reference Nos. 23-53

BODY DETAILS

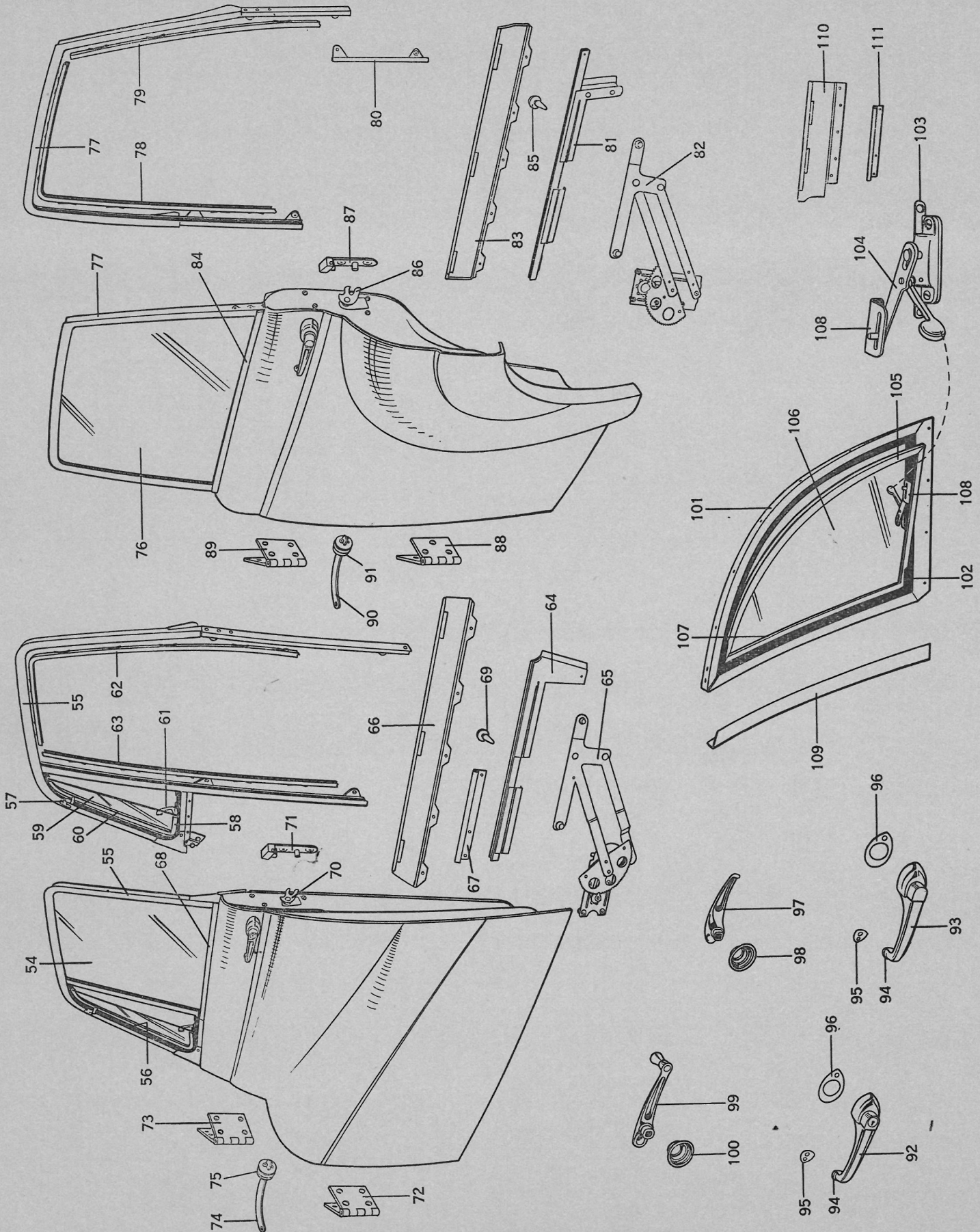


Illustration Reference Nos. 54 - 111

BODY DETAILS

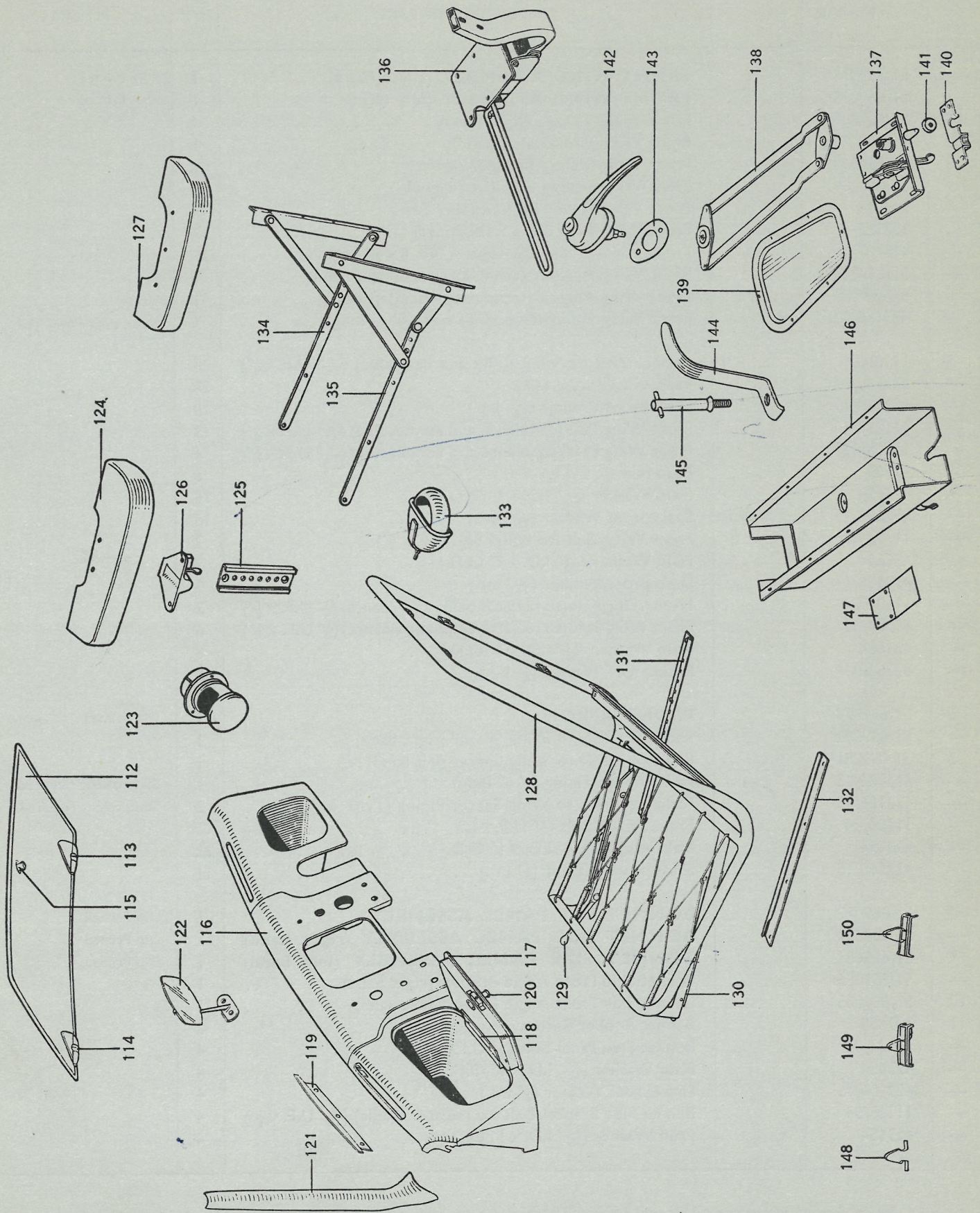


Illustration Reference Nos. 112-150

BODY DETAILS

Illus. Ref. No.	Part Number	DESCRIPTION OF PART	No. per set	REMARKS
—	51/669076	FRONT WING ASSEMBLY (right hand)	1	Dip Primed
1	51/669075	FRONT WING ASSEMBLY (left hand)	1	Dip Primed
—	51/669080	Front Wing Valance (right hand)	1	
2	51/669079	Front Wing Valance (left hand)	1	
3	51/659088	Front Wing Sealing Retainer (lower)	2	
4	51/659089	Front Wing Sealing Retainer (upper)	2	
—	304030	Front Wing Lower Baffle Rubber Seal	2	
—	303782	Front Wing Rear Baffle Rubber Seal	2	
—	423187/15	Rubber Seal Screw (PK Type A No. 8 × $\frac{3}{8}$ " Bdg. Hd.) ..	20	
—	51/669084	Front Wing Angle Attachment (rear) (right hand) ..	1	
5	51/669083	Front Wing Angle Attachment (rear) (left hand) ..	1	
—	423186/02	Front Wing Piping (to bonnet side) (5' 6" long) ..	2	State colour required
—	11105/04	Valance Bolt (to wing baffle and dash side) ($\frac{5}{16}$ " U.F. × $\frac{1}{2}$ ")	28	
—	422500/02	Plain Washer ($\frac{5}{16}$ " I.D.)	28	
—	422508/19	Shakeproof Washer ($\frac{5}{16}$ " int.)	28	
—	11105/04	Front Wing Bolt (to valance and bonnet side) ($\frac{5}{16}$ " U.F. × $\frac{1}{2}$ ")	12	
—	11105/05	Front Wing Bolt (to valance and bonnet side) ($\frac{5}{16}$ " U.F. × $\frac{5}{8}$ ")	4	
—	13105	Plain Nut ($\frac{5}{16}$ " U.F.)	6	
—	423654	Plain Washer ($\frac{11}{32}$ " I.D. × 1" O.D.)	16	
—	422508/19	Shakeproof Washer ($\frac{5}{16}$ " int.)	16	
—	11105/06	Front Wing Bolt (to body) ($\frac{5}{16}$ " U.F. × $\frac{3}{4}$ ")	2	
—	423654	Plain Washer ($\frac{11}{32}$ " I.D. × 1" O.D.)	2	
—	422508/19	Shakeproof Washer ($\frac{5}{16}$ " int.)	2	
—	11104/04	Front Wing Bolt (to radiator baffle and valance) ($\frac{1}{4}$ " U.F. × $\frac{1}{2}$ ")	2	
—	11104/08	Front Wing Bolt (to radiator baffle and valance) ($\frac{1}{4}$ " U.F. × 1")	6	
—	423654	Plain Washer ($\frac{11}{32}$ " I.D. × 1" O.D.)	8	
—	422508/15	Shakeproof Washer ($\frac{1}{4}$ " int.)	8	
6	51/659078	FRONT APRON	1	Dip Primed
—	51/659092	Radiator Grille to Wing Spacer (right hand)	1	
7	51/659091	Radiator Grille to Wing Spacer (left hand)	1	
—	423186/03	Front Apron Piping (6' 6" long)	1	State colour required
—	423186/05	Radiator Grille to Wing Spacer Piping (1' 10" long) ..	2	State colour required
—	11104/04	Front Apron Bolt ($\frac{1}{4}$ " U.F. × $\frac{1}{2}$ ")	11	
—	423654	Plain Washer ($\frac{11}{32}$ " I.D. × 1" O.D.)	22	
—	422508/15	Shakeproof Washer ($\frac{1}{4}$ " int.)	11	
8	51/669077	BONNET TOP PANEL ASSEMBLY	1	Dip Primed
—	51/669082	BONNET SIDE PANEL ASSEMBLY (right hand)	1	Dip Primed
9	51/669081	BONNET SIDE PANEL ASSEMBLY (left hand)	1	Dip Primed
—	51/659086	Bonnet Side Front Angle Bracket (right hand)	1	
10	51/659085	Bonnet Side Front Angle Bracket (left hand)	1	
11	402855	Bonnet Rubber Button	8	
—	11104/04	Bonnet Side Panel Bolt ($\frac{1}{4}$ " U.F. × $\frac{1}{2}$ ")	4	
—	423654	Plain Washer ($\frac{11}{32}$ " I.D. × 1" O.D.)	4	
—	422508/15	Shakeproof Washer ($\frac{1}{4}$ " int.)	4	
—	11105/04	Bonnet Side Bracket Bolt (to radiator cradle) ($\frac{5}{16}$ " U.F. × $\frac{1}{2}$ ")	4	
—	423654	Plain Washer ($\frac{11}{32}$ " I.D. × 1" O.D.)	4	

Body Serial Number. This will be found stamped on a plate affixed to the engine side of the dash (left hand side) and should be quoted in all correspondence relating to the supply of replacement body parts.

BODY DETAILS

Illus. Ref. No.	Part Number	DESCRIPTION OF PART	No. per set	REMARKS
—	422508/19	Shakeproof Washer ($\frac{5}{16}$ " int.)	4	
—	11104/04	Bonnet Side Bracket Bolt (to side panel) ($\frac{1}{4}$ " U.F. \times $\frac{1}{2}$ ") ..	4	
—	422500/01	Plain Washer ($\frac{1}{4}$ " I.D.)	4	
—	422508/15	Shakeproof Washer ($\frac{1}{4}$ " int.)	4	
—	13104	Plain Nut (to dash bracket) ($\frac{1}{4}$ " U.F.)	4	
—	423654	Plain Washer ($\frac{11}{32}$ " I.D. \times 1" O.D.)	4	
—	422508/15	Shakeproof Washer ($\frac{1}{4}$ " int.)	2	
12	133579	BONNET HINGE ASSEMBLY (right hand)	1	
13	133580	BONNET HINGE ASSEMBLY (left hand)	1	
14	425064	Bonnet Hinge Spring	4	
—	12104/04	Hinge Screw (to dash and bonnet top) ($\frac{5}{16}$ " U.F. \times $\frac{1}{2}$ ") ..	12	
—	422500/02	Plain Washer ($\frac{5}{16}$ " I.D.)	12	
—	422508/19	Shakeproof Washer ($\frac{5}{16}$ " int.)	12	
15	303158	BONNET LOCK ASSEMBLY	1	
—	303158-2	Bonnet Lock Spring	1	
16	303158-1	Bonnet Lock Pin	1	
—	13106	Plain Nut (lock pin to bonnet top) ($\frac{3}{8}$ " U.F.)	1	
—	422545/13	Bonnet Lock Bolt (to lock plate) (ANF No. 10 \times $\frac{1}{2}$ " Rd. Hd.)	4	
—	423199/2	Plain Washer (ANF No. 10)	4	
—	422508/09	Shakeproof Washer ($\frac{3}{16}$ " int.)	4	
17	303730/01	BONNET LOCK RELEASE CONTROL CABLE ASSEMBLY	1	
18	423449	Cable Spring	1	
—	422500/01	Plain Washer ($\frac{1}{4}$ " I.D.)	1	
19	424758	Bonnet Lock Cable Clip	1	
20	424763	Bonnet Lock Cable Clip	3	
21	423663	Bonnet Lock Distance Piece	1	
22	423179/1	Control Cable Grommet (dash)	1	
—	51/625054	"A" POST PANEL ASSEMBLY (right hand)	1	} Body Nos. 10001 onwards
23	51/625053	"A" POST PANEL ASSEMBLY (left hand)	1	
—	59/691004	"A" POST CASTING (right hand)	1	} Body Nos. L.I-L.1000
—	59/691003	"A" POST CASTING (left hand)	1	
—	51/615050	Bonnet Side to Dash Bracket (right hand)	1	
24	51/615049	Bonnet Side to Dash Bracket (left hand)	1	
—	12104/04	Bracket to Dash Screw ($\frac{1}{4}$ " U.F. \times $\frac{1}{2}$ ")	4	
—	422508/15	Shakeproof Washer ($\frac{1}{4}$ " int.)	4	
—	51/622036	"B & C" POST PANEL ASSEMBLY (right hand)	1	} Body Nos. 10001 onwards
—	51/612042	"B & C" Post Facing Panel	1	
25	51/622035	"B & C" POST PANEL ASSEMBLY (left hand)	1	} Body Nos. 10001 onwards
26	51/612041	"B & C" Post Facing Panel	1	
—	51/621148	"B & C" Post Closing Plate (right hand)	1	
27	51/621147	"B & C" Post Closing Plate (left hand)	1	
—	59/692006	"B & C" POST CASTING (right hand)	1	} Body Nos. L.I-L.1000
—	59/692005	"B & C" POST CASTING (left hand)	1	
—	51/624018	SILL PANEL ASSEMBLY (right hand)	1	} Body Nos. 10001 onwards
28	51/624017	SILL PANEL ASSEMBLY (left hand)	1	
—	59/692004	SILL CASTING (right hand)	1	} Body Nos. L.I-L.1000
—	59/692003	SILL CASTING (left hand)	1	

BODY DETAILS

Illus. Ref. No.	Part Number	DESCRIPTION OF PART	No. per set	REMARKS
29	51/696382	FRONT DOOR PANEL ASSEMBLY (less hinges and locks) (right hand)	1	
—	51/696381	FRONT DOOR PANEL ASSEMBLY (less hinges and locks) (left hand)	1	
30	51/696384	REAR DOOR PANEL ASSEMBLY (less hinges and locks) (right hand)	1	
—	51/696383	REAR DOOR PANEL ASSEMBLY (less hinges and locks) (left hand)	1	
—	51/617017	Check Arm Retainer Plate	4	
—	51/622180	"D" Post (upper) Reinforcement (right hand)	1	
31	51/622179	"D" Post (upper) Reinforcement (left hand)	1	
—	12104/05	Reinforcement Screw ($\frac{1}{4}$ " U.F. \times $\frac{5}{8}$ ")	4	
—	422500/01	Plain Washer ($\frac{1}{4}$ " I.D.)	4	
—	422508/15	Shakeproof Washer ($\frac{1}{4}$ " int.)	4	
—	51/622010	TONNEAU SIDE ASSEMBLY (right hand)	1	
—	51/692236	Tonneau Side Panel	1	
32	51/622009	TONNEAU SIDE ASSEMBLY (left hand)	1	
33	51/692235	Tonneau Side Panel	1	
34	51/626004	TRUNK LID ASSEMBLY	1	
35	51/622000	BODY REAR LOWER PANEL ASSEMBLY	1	
36	51/641388	TOEBOARD (right hand)	1	} R.H.D. only
37	51/641387	TOEBOARD (left hand)	1	
—	52/641388	TOEBOARD (right hand)	1	} L.H.D. only
—	52/641387	TOEBOARD (left hand)	1	
—	11404/05	Toeboard Bolt ($\frac{1}{4}$ " U.F. \times $\frac{5}{8}$ " cone pointed)	22	
38	51/641367	GEARBOX COVER ASSEMBLY	1	
39	51/631376	Gearbox Cover Spring Plate	2	
—	11404/05	Gearbox Cover Bolt ($\frac{1}{4}$ " U.F. \times $\frac{5}{8}$ " cone pointed)	15	
40	51/641393	Shroud Air Vent Panel Assembly	1	} Dip Primed
41	51/641262	Air Vent Box	1	
—	51/615099	Box to Shroud Seal Ring	1	
—	423195/34	Box to Panel Screw (ANF No. 10 \times $\frac{1}{2}$ " Bdg. Hd.)	8	
42	51/641260	Heater Box	1	
—	51/635101	Heater Box to Dash Seal Ring	1	
—	423195/34	Heater Box Screw (ANF No. 10 \times $\frac{1}{2}$ " Bdg. Hd.)	14	
43	51/641224	Demister Duct	2	
—	422544/09	Duct Bolt (ANF No. 10 \times $\frac{5}{8}$ ")	4	
—	423199/2	Plain Washer (ANF No. 10)	4	
44	51/641259	Trafficator Box	2	} Body Nos. 10001 onwards
—	51/631249	Trafficator Box Seal	2	
—	422544/10	Trafficator Box Bolt (ANF No. 10 \times $\frac{3}{4}$ ")	4	
—	423199/2	Plain Washer (ANF No. 10)	4	
—	422508/09	Shakeproof Washer ($\frac{3}{16}$ " int.)	4	
—	59/692002	Trafficator Backing Plate	2	

BODY DETAILS

Illus. Ref. No.	Part Number	DESCRIPTION OF PART	No. per set	REMARKS
45	51/641357	Propellor Shaft Front End Access Spring Cover Plate ..	1	
46	51/641364	Propellor Shaft Rear End Access Cover Plate	1	
—	12604/05	Cover Plate Screw ($\frac{1}{4}$ " U.F. \times $\frac{5}{8}$ " Rd. Hd.)	1	
—	422500/01	Plain Washer ($\frac{1}{4}$ " I.D.)	1	
—	422508/15	Shakeproof Washer ($\frac{1}{4}$ " int.)	1	
47	51/641391	BATTERY BOX COVER PANEL ASSEMBLY ..	1	
48	51/637039	Cover Rubber Buffer	2	
—	423195/34	Buffer Bolt (ANF No. 10 \times $\frac{1}{2}$ " Bdg. Hd.)	2	
—	423199/2	Plain Washer (ANF No. 10)	2	
—	11404/05	Cover Panel Bolt ($\frac{1}{4}$ " U.F. \times $\frac{5}{8}$ " cone pointed)	2	
—	422500/01	Plain Washer ($\frac{1}{4}$ " I.D.)	2	
49	51/641228	Battery Carrier	1	
—	51/644167	Exhaust Silencer Insulation Assembly	1	
50	51/635100	WINDSCREEN GLASS (toughened)	1	Standard
—	51/675130	WINDSCREEN GLASS (laminated)	1	Special Order only
51	51/631206	Windscreen Glass Rubber Surround	1	Body Nos. 10001 onwards
—	59/691008	Windscreen Glass Rubber Surround	1	Body Nos. L.1-L.1000
52	51/633125	BACKLIGHT GLASS	1	
53	51/631207	Backlight Glass Rubber Surround	1	
—	51/636200	FRONT DOOR SLIDING GLASS (right hand) ..	1	
54	51/636199	FRONT DOOR SLIDING GLASS (left hand) ..	1	
—	51/646096	FRONT DOOR GLASS CHANNEL ASSEMBLY		
—	51/636206	(right hand)	1	
—	51/646322	Weatherstrip	1	
—	51/646330	Top Pivot Assembly	1	
—	51/636204	Vent Frame and Glass Assembly	1	
—	51/636207	Vent Glass	1	
—	51/636336	Glazing Strip	1	
—	51/637087	Vent Catch	1	
—	51/637087	Catch Waved Washer	1	
55	51/646095	FRONT DOOR GLASS CHANNEL ASSEMBLY		
56	51/636205	(left hand)	1	
57	51/646321	Weatherstrip	1	
58	51/646329	Top Pivot Assembly	1	
59	51/636203	Vent Frame and Glass Assembly	1	
60	51/636207	Vent Glass	1	
61	51/636335	Glazing Strip	1	
—	51/637087	Vent Catch	1	
—	51/637087	Catch Waved Washer	1	
62	51/636375	Front Door Glass Run Channel (54 $\frac{1}{4}$ " long, c/w 7 clips)	2	
63	51/636376	Front Door Glass Run Channel (34" long, c/w 5 clips)	2	
—	11104/07	Front Door Glass Channel Bolt ($\frac{1}{4}$ " U.F. \times $\frac{7}{8}$ ")	4	
—	51/636252	Front Door Glass Channel Bolt (special) ($\frac{1}{4}$ " U.F.)	4	
—	51/637083	Plain Washer (special)	8	
—	13104	Plain Nut ($\frac{1}{4}$ " U.F.)	8	

BODY DETAILS

Illus. Ref. No.	Part Number	DESCRIPTION OF PART	No. per set	REMARKS
—	422508/15	Shakeproof Washer ($\frac{1}{4}$ " int.)	8	
—	423187/15	Screw (PK Type A No. $8 \times \frac{3}{8}$ " Raised Hd.)	6	
—	423174/09	Screw (PK Type Z No. $6 \times \frac{5}{16}$ " C'sk. Hd.)	2	
—	51/636266	Front Door Vent to Waist Rail Seal Rubber (11" long) ..	2	
—	51/636270	Front Door Glass Channel Reinforcement (right hand) ..	1	
—	51/636269	Front Door Glass Channel Reinforcement (left hand) ..	1	
—	423189/01	Reinforcement Screw (PK Type A No. $4 \times \frac{1}{4}$ " C'sk. Hd.) ..	6	
—	51/631090	Front Door Glass Bottom Channel (right hand)	1	
64	51/631089	Front Door Glass Bottom Channel (left hand)	1	
—	51/636111	Bottom Channel Weatherstrip	2	
—	51/631088	FRONT DOOR WINDOW REGULATOR (right hand)	1	
65	51/631087	FRONT DOOR WINDOW REGULATOR (left hand)	1	
—	12704/04	Regulator Screw ($\frac{1}{4}$ " U.F. $\times \frac{1}{2}$ " Bdg. Hd.)	10	
—	422508/17	Shakeproof Washer ($\frac{1}{4}$ " int.)	10	
—	422500/01	Plain Washer ($\frac{1}{4}$ " I.D.)	10	
—	51/646142	Front Door Inner Waist Finisher (right hand)	1	} Body Nos. 10001 onwards
66	51/646141	Front Door Inner Waist Finisher (left hand)	1	
—	423189/02	Finisher Screw (PK Type A No. $4 \times \frac{3}{8}$ " C'sk. Hd.)	10	
67	51/631375	Finisher Support Channel	2	
—	423188/16	Channel Screw (PK Type A No. $8 \times \frac{3}{8}$ " Rd. Hd.)	8	
—	51/631196	Waist Finisher Retainer Rubber	6	
—	51/636208	Waist Rail (inner) to Door Glass Rubber/Fabric Finisher	2	
—	59/696012	Front Door Inner Waist Finisher (right hand)	1	} Body Nos. L.1-L.1000
—	59/696011	Front Door Inner Waist Finisher (left hand)	1	
—	51/636210	Front Door Outer Waist Finisher (right hand)	1	
68	51/636209	Front Door Outer Waist Finisher (left hand)	1	
69	51/637051	Waist Rail (outer) to Door Glass Rubber Buffer	4	
—	51/626062	FRONT DOOR LOCK AND REMOTE CONTROL (right hand)	1	
70	51/626061	FRONT DOOR LOCK AND REMOTE CONTROL (left hand)	1	
—	51/617080	Lock and Control Screw (ANF No. $10 \times \frac{3}{8}$ " Pan. Hd.) ..	14	
—	51/621052	Front Door Lock Striker (right hand)	1	
71	51/621051	Front Door Lock Striker (left hand)	1	
—	51/617067	Striker Screw ($\frac{1}{4}$ " U.F. $\times \frac{1}{2}$ " C'sk. Rec. Hd., cone pointed)	4	
72	51/626037	FRONT DOOR LOWER HINGE	2	
—	51/617075	Hinge to Door Screw ($\frac{5}{16}$ " U.F. $\times \frac{7}{8}$ " oval Rec. Hd., cone pointed)	8	
—	51/617076	Hinge to Post Screw ($\frac{5}{16}$ " U.F. $\times \frac{3}{4}$ " oval Rec. Hd., cone pointed)	6	

BODY DETAILS

Illus. Ref. No.	Part Number	DESCRIPTION OF PART	No. per set	REMARKS
—	51/626036	FRONT DOOR UPPER HINGE (right hand) ..	1	
73	51/626035	FRONT DOOR UPPER HINGE (left hand) ..	1	
—	51/617075	Hinge to Door Screw ($\frac{5}{16}$ " U.F. \times $\frac{7}{8}$ " oval Rec. Hd., cone pointed)	8	
—	51/617076	Hinge to Post Screw ($\frac{5}{16}$ " U.F. \times $\frac{3}{4}$ " oval Rec. Hd., cone pointed)	8	
74	51/621054	FRONT DOOR CHECK ARM ASSEMBLY ..	2	
75	51/691411	Check Arm Rubber Buffer	2	
—	51/636202	REAR DOOR GLASS (right hand)	1	
76	51/636201	REAR DOOR GLASS (left hand)	1	
—	51/646098	REAR DOOR GLASS CHANNEL ASSEMBLY (right hand)	1	
77	51/646097	REAR DOOR GLASS CHANNEL ASSEMBLY (left hand)	1	
78	51/636377	Rear Door Glass Run Channel ($49\frac{7}{8}$ " long, c/w 7 clips) ..	2	
79	51/636378	Rear Door Glass Run Channel ($25\frac{7}{8}$ " long, c/w 3 clips) ..	2	
—	12704/08	Rear Door Glass Channel Bolt ($\frac{1}{4}$ " U.F. \times 1" Bdg. Hd.) ..	2	
—	51/636252	Rear Door Glass Channel Bolt (special) ($\frac{1}{4}$ " U.F.)	6	
—	51/637083	Plain Washer (special)	6	
—	13104	Plain Nut ($\frac{1}{4}$ " U.F.)	6	
—	422508/15	Shakeproof Washer ($\frac{1}{4}$ " int.)	6	
—	423174/09	Screw (PK Type Z No. $6 \times \frac{5}{16}$ " C'sk. Hd.)	2	
—	51/636268	Rear Door Glass Channel Reinforcement (right hand) ..	1	
—	51/636267	Rear Door Glass Channel Reinforcement (left hand) ..	1	
—	423189/01	Reinforcement Screw (PK Type A No. $4 \times \frac{1}{4}$ " C'sk. Hd.) ..	6	
—	51/636216	Rear Door Guide Channel (right hand)	1	
80	51/636215	Rear Door Guide Channel (left hand)	1	
—	11104/06	Guide Channel Bolt ($\frac{1}{4}$ " U.F. \times $\frac{3}{4}$ ")	2	
—	13104	Plain Nut ($\frac{1}{4}$ " U.F.)	2	
—	51/637052	Plain Washer	4	
—	422508/17	Shakeproof Washer ($\frac{1}{4}$ " int.)	4	
—	12704/06	Guide Channel Bolt ($\frac{1}{4}$ " U.F. \times $\frac{3}{4}$ " Bdg. Hd.).. .. .	2	
—	51/631094	Rear Door Glass Bottom Channel (right hand)	1	
81	51/631093	Rear Door Glass Bottom Channel (left hand)	1	
—	51/636112	Bottom Channel Weatherstrip	2	
—	51/631092	REAR DOOR WINDOW REGULATOR (right hand) ..	1	
82	51/631091	REAR DOOR WINDOW REGULATOR (left hand) ..	1	
—	12704/04	Regulator Screw ($\frac{1}{4}$ " U.F. \times $\frac{1}{2}$ " Bdg. Hd.)	10	
—	422508/17	Shakeproof Washer ($\frac{1}{4}$ " int.)	10	
—	422500/01	Plain Washer ($\frac{1}{4}$ " I.D.)	10	
—	51/646144	Rear Door Inner Waist Finisher (right hand)	1	} Body Nos. 10001 onwards
83	51/646143	Rear Door Inner Waist Finisher (left hand)	1	
—	423189/02	Finisher Screw (PK Type A No. $4 \times \frac{3}{8}$ " C'sk. Hd.)	10	
—	51/631196	Waist Finisher Retainer Rubber	6	
—	51/636213	Waist Rail (inner) to Door Glass Rubber/Fabric Finisher	2	

BODY DETAILS

Illus. Ref. No.	Part Number	DESCRIPTION OF PART	No. per set	REMARKS
—	59/696010	Rear Door Inner Waist Finisher (right hand)	1	} Body Nos. L.1-L.1000
—	59/696009	Rear Door Inner Waist Finisher (left hand)	1	
—	51/636212	Rear Door Outer Waist Finisher (right hand)	1	
84	51/636211	Rear Door Outer Waist Finisher (left hand)	1	
85	51/637051	Waist Rail (outer) to Door Glass Rubber Buffer	4	
—	51/626080	REAR DOOR LOCK AND REMOTE CONTROL (right hand)	1	
86	51/626079	REAR DOOR LOCK AND REMOTE CONTROL (left hand)	1	
—	51/617080	Lock and Control Screw (ANF No. 10 × $\frac{3}{8}$ " Pan. Hd.) ..	14	
—	51/621052	Rear Door Lock Striker (right hand)	1	
87	51/621051	Rear Door Lock Striker (left hand)	1	
—	51/617067	Striker Screw ($\frac{1}{4}$ " U.F. × $\frac{1}{2}$ " C'sk. Rec. Hd., cone pointed) ..	4	
88	51/626064	REAR DOOR LOWER HINGE	2	
—	51/617075	Hinge Screw ($\frac{5}{16}$ " U.F. × $\frac{7}{8}$ " oval Rec. Hd., cone pointed) ..	12	
—	51/626068	REAR DOOR UPPER HINGE (right hand)	1	
89	51/626067	REAR DOOR UPPER HINGE (left hand)	1	
—	51/617075	Hinge Screw ($\frac{5}{16}$ " U.F. × $\frac{7}{8}$ " oval Rec. Hd., cone pointed) ..	16	
90	51/621053	REAR DOOR CHECK ARM ASSEMBLY	2	
91	51/691411	Check Arm Rubber Buffer	2	
—	51/636122	Front Door Sealing Rubber (8' 0" long)	2	} Fitted to Doors
—	51/636123	Rear Door Sealing Rubber (7' 0" long)	2	
—	51/636386	Front Door Top Moulded Seal Rubber (right hand)	1	} Fitted to Apertures Body Nos. 10001 onwards
—	51/636385	Front Door Top Moulded Seal Rubber (left hand)	1	
—	51/636388	Rear Door Top Moulded Seal Rubber (right hand)	1	
—	51/636387	Rear Door Top Moulded Seal Rubber (left hand)	1	
—	51/636390	Quarter Pillar Seal Rubber (right hand)	1	
—	51/636389	Quarter Pillar Seal Rubber (left hand)	1	
—	59/692010	Door Shut Sealing Rubber	4	} Fitted to Apertures Body Nos. L.1-L.1000
—	51/631317	Sealing Rubber Retainer ("A" Post)	2	
—	51/631318	Sealing Rubber Retainer ("B & C" Post)	4	
—	51/631319	Sealing Rubber Retainer ("D" Post)	2	
—	423189/08	Sealing Rubber Screw (PK Type A No. 6 × $\frac{3}{8}$ " C'sk. Hd.) ..	70	
—	51/632136	Front Door Draught Welt (rubber/moquette)	2	} Fitted to Apertures State colour required
—	51/632137	Rear Door Draught Welt (rubber/moquette)	2	
—	51/632138	Quarter Pillar Draught Welt (rubber/moquette)	2	
—	59/696006	Front and Rear Door Rubber Buffers	8	Body Nos. L.1-L.1000
—	51/636289	Door Sealing Hinge Recess Rubber	30	
—	423189/04	Screw (PK Type A No. 4 × $\frac{5}{8}$ " C'sk. Hd.)	60	
92	51/646186	DOOR OUTSIDE LOCKING HANDLE ASSEMBLY	1	
93	51/646185	DOOR OUTSIDE PLAIN HANDLE ASSEMBLY	3	
94	51/636190	Handle End Clip	4	
95	51/636189	Seating Washer (small)	4	
96	51/636188	Seating Washer (large)	4	

BODY DETAILS

Illus. Ref. No.	Part Number	DESCRIPTION OF PART	No. per set	REMARKS
		DOOR OUTSIDE HANDLE ASSEMBLY (continued)		
—	51/637097	End Clip Screw (2 B.A. × ½" C'sk. Hd.)	4	
—	51/637065	Plain Nut (2 B.A.)	4	
—	51/637098	Setscrew (2 B.A. × ½" Hex. Hd.)	4	
—	51/636197	Lock Device	1	Locking Handle only
—	51/637099	Outside Handle Screw (ANF No. 10 × 1 ⅛" Bdg. Hd.) ..	4	
—	422508/09	Shakeproof Washer (⅜" int.)	4	
—	424927	Outside Handle Key (L1921D)	—	{ State Serial No. when ordering
97	51/636243	DOOR INSIDE HANDLE	4	
98	51/636245	Handle Escutcheon	4	
—	51/636244	Handle Locking Pin	4	
99	51/636242	WINDOW REGULATOR HANDLE	4	
100	51/636245	Handle Escutcheon	4	
—	51/636244	Handle Locking Pin	4	
—	51/642100	REAR QUARTER LIGHT GLASS CHANNEL ASSEMBLY (right hand)	1	
—	51/632198	Weatherstrip	1	
—	51/632221	Catch Support Bracket (outer frame)	1	
—	51/642208	Regulator Assembly	1	
—	51/642200	Inner Frame and Glass Assembly	1	
—	51/632109	Glass	1	
—	51/632230	Glazing Strip	1	
—	51/632229	Regulator Bracket	1	
101	51/642099	REAR QUARTER LIGHT GLASS CHANNEL ASSEMBLY (left hand)	1	
102	51/632197	Weatherstrip	1	
103	51/632221	Catch Support Bracket (outer frame)	1	
104	51/642207	Regulator Assembly	1	
105	51/642199	Inner Frame and Glass Assembly	1	
106	51/632109	Glass	1	
107	51/632230	Glazing Strip	1	
108	51/632229	Regulator Bracket	1	
—	423187/15	Glass Channel Screw (PK Type A No. 8 × ⅜" Bdg. Hd.) ..	8	
—	423189/09	Glass Channel Screw (PK Type A No. 6 × ½" C'sk. Hd.) ..	14	
—	51/632129	Rear Quarter Light Waist Rail Sealing Rubber (12" long)	2	} Body Nos. 10001 onwards
—	51/632130	Rear Quarter Light Cant Rail Sealing Rubber (25" long)	2	
—	59/692009	Rear Quarter Light Sealing Rubber (8' 0")	A.R.	{ State length required Body Nos. L.1-L.1000
—	51/632112	Quarter Pillar Cover Plate (right hand)	1	
109	51/632111	Quarter Pillar Cover Plate (left hand)	1	
—	423189/16	Cover Plate Screw (PK Type A No. 8 × ⅜" C'sk. Hd.) ..	10	
—	51/642170	Rear Quarter Light Waist Finisher (right hand)	1	} Body Nos. 10001 onwards
110	51/642169	Rear Quarter Light Waist Finisher (left hand)	1	
—	423189/02	Finisher Screw (PK Type A No. 8 × ⅜" C'sk. Hd.)	4	

BODY DETAILS

Illus. Ref. No.	Part Number	DESCRIPTION OF PART	No. per set	REMARKS
111	51/631375	Finisher Support Channel	2	} Body Nos. 10001 onwards
—	423188/16	Support Channel Screw (PK Type A No. $8 \times \frac{3}{8}$ " Rd. Hd.) ..	8	
—	51/631196	Finisher Retainer Rubber	4	
—	59/692012	Rear Quarter Light Waist Finisher (right hand)	1	} Body Nos. L.1-L.1000
—	59/692011	Rear Quarter Light Waist Finisher (left hand)	1	
112	51/643102	VIZOR ASSEMBLY (right hand)	1	} State colour required
—	51/643101	VIZOR ASSEMBLY (left hand)	1	
113	51/643072	Vizor Hinge (right hand)	2	
114	51/643071	Vizor Hinge (left hand)	2	
115	51/633073	Vizor Knob	2	
—	51/633074	Knob Retainer	2	
—	423195/34	Hinge to Vizor Screw (ANF No. $10 \times \frac{1}{2}$ " Bdg. Hd.) ..	8	
—	422543/2	Plain Nut (ANF No. 10)	8	
—	423195/34	Vizor to Header Panel Screw (ANF No. $10 \times \frac{1}{2}$ " Bdg. Hd.)	8	
116	51/641156	FACIA PANEL ASSEMBLY (R.H.D. only)	1	} Body Nos. 10001 onwards
—	52/641156	FACIA PANEL ASSEMBLY (L.H.D. only)	1	
117	51/691412	Cubby Box Door (R.H.D. only)	1	
—	52/691412	Cubby Box Door (L.H.D. only)	1	
118	51/641124	Cubby Box Door Hinge	1	
—	51/617077	Hinge to Door Screw (ANF No. $10 \times \frac{1}{2}$ " oval knurled head)	2	
—	51/617070	Hinge to Panel Screw (ANF No. $10 \times \frac{3}{8}$ ")	2	
—	422543/2	Plain Nut (ANF No. 10)	2	
—	422508/09	Shakeproof Washer ($\frac{3}{16}$ " int.)	2	
119	51/631164	Demister Deflector Plate	2	
—	423197/12	Deflector Plate Screw (ANF No. $10 \times \frac{3}{8}$ " C'sk. Hd.) ..	6	
—	422543/2	Plain Nut (ANF No. 10)	6	
—	423199/2	Plain Washer (ANF No. 10)	6	
120	51/641176	Cubby Box Lock Assembly	1	
—	59/691009	FACIA PANEL ASSEMBLY (R.H.D. only)	1	
—	60/691009	FACIA PANEL ASSEMBLY (L.H.D. only)	1	
—	59/691011	Cubby Box Door (R.H.D. only)	1	
—	60/691011	Cubby Box Door (L.H.D. only)	1	
—	59/691024	Cubby Box Door Hinge (right hand)	1	
—	59/691023	Cubby Box Door Hinge (left hand)	1	
—	59/692007	Demister Deflector Plate	2	
—	59/691025	Cubby Box Lock Assembly	1	
—	424927	Cubby Box Lock Key (L1921D)	—	} State Serial No. when ordering
—	51/631252	"A" Post Upper Finisher (right hand)	1	} Body Nos. 10001 onwards
121	51/631251	"A" Post Upper Finisher (left hand)	1	
—	423191/06	Finisher Screw (PK Type A No. $4 \times \frac{7}{8}$ " Rd. Hd.)	4	
122	51/641372	Driving Mirror	1	
—	423190/21	Driving Mirror Screw (PK Type A No. 8×1 ")	2	
123	51/647034	Front Door Ashtray (tubular type)	2	
—	423190/11	Ashtray Screw (PK Type A No. $6 \times \frac{3}{4}$ " Raised Hd.) ..	6	
124	51/646236	Front Door Armrest Plate (right hand)	1	
—	51/646235	Front Door Armrest Plate (left hand)	1	

BODY DETAILS

Illus. Ref. No.	Part Number	DESCRIPTION OF PART	No. per set	REMARKS
—	51/647049	Armrest Adjustable Plate Assembly	2	
125	51/637056	Armrest Base	2	
126	51/647061	Handle Assembly	2	
—	51/637100	Armrest Base to Door Screw (ANF No. 10 × ½" C'sk. Hd.)	4	
—	423190/17	Armrest Handle to Armrest Screw (PK Type A No. 8 × ½" Rd. Hd.)	4	
—	51/637117	Spire Nut	4	
127	51/636218	Rear Door Armrest Plate (right hand)	1	
—	51/636217	Rear Door Armrest Plate (left hand)	1	
—	12104/06	Armrest Screw (¼" U.F. × ¾")	4	
—	422500/01	Plain Washer (¼" I.D.)	4	
—	422508/15	Shakeproof Washer (¼" int.)	4	
—	59/696001	Rear Door Armrest Bracket (front)	2	} Body Nos. L.1-L.1000
—	59/696002	Rear Door Armrest Bracket (rear)	2	
—	51/641172	FRONT SEAT FRAME ASSEMBLY (right hand) ..	1	
—	51/631174	Seat Runner (inner)	1	
—	51/631175	Seat Runner (outer)	1	
—	51/634096	Seat Slide (inner)	1	
—	51/634098	Seat Slide (outer)	1	
128	51/641171	FRONT SEAT FRAME ASSEMBLY (left hand) ..	1	
129	51/631173	Seat Runner (inner)	1	
130	51/631175	Seat Runner (outer)	1	
131	51/634095	Seat Slide (inner)	1	
132	51/634097	Seat Slide (outer)	1	
—	12304/12	Front Seat Slide Screw (¼" U.F. × 1½" C'sk. Hd.)	16	
—	13104	Plain Nut (¼" U.F.)	16	
—	422508/18	Shakeproof Washer	16	
—	51/634190	Seat Frame Support Distance Channel (right hand)	2	
—	51/634189	Seat Frame Support Distance Channel (left hand)	2	
—	12104/08	Channel Setscrew (¼" U.F. × 1")	16	
—	422508/18	Shakeproof Washer (¼" int.)	16	
—	51/634170	Front Seat Cushion Spring Case (right hand)	1	} Body Nos. 10001 onwards
—	51/634169	Front Seat Cushion Spring Case (left hand)	1	
—	51/634172	Front Seat Squab Spring Case (right hand)	1	
—	51/634171	Front Seat Squab Spring Case (left hand)	1	
—	59/691014	Front Seat Cushion Spring Case (right hand)	1	} Body Nos. L.1-L.1000
—	59/691013	Front Seat Cushion Spring Case (left hand)	1	
—	59/691016	Front Seat Squab Spring Case (right hand)	1	
—	59/691015	Front Seat Squab Spring Case (left hand)	1	
133	51/647035	Front Seat Ashtray (swivel type)	2	
134	51/634114	Rear Seat Centre Armrest Fitting (right hand)	1	} Body Nos. 10001 onwards
135	51/634113	Rear Seat Centre Armrest Fitting (left hand)	1	
—	423197/13	Armrest Fitting to Squab Screw (ANF No. 10 × ½" C'sk. Hd.)	8	
—	423194/04	Tee Nut (ANF No. 10)	8	

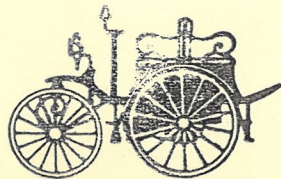
BODY DETAILS

Illus. Ref. No.	Part Number	DESCRIPTION OF PART	No. per set	REMARKS
—	59/691022	Rear Seat Centre Armrest Fitting (right hand)	1	} Body Nos. L.1-L.1000
—	59/691021	Rear Seat Centre Armrest Fitting (left hand)	1	
—	51/634175	Rear Seat Cushion Spring Case	1	Body Nos. 10001 onwards
—	59/691017	Rear Seat Cushion Spring Case	1	Body Nos. L.1-L.1000
—	51/634174	Rear Seat Squab Spring Case (right hand)	1	
—	51/634173	Rear Seat Squab Spring Case (left hand)	1	
—	51/637030	Carpet Clip	10	Body Nos. 10001 onwards
—	51/636222	Front Carpet Retainer Rubber	2	
—	51/636223	Rear Carpet Retainer Rubber	2	
—	51/634162	Front Carpet Retainer Fixing Strip (right hand)	1	
—	51/634161	Front Carpet Retainer Fixing Strip (left hand)	1	
—	51/634163	Rear Carpet Retainer Fixing Strip	2	
—	423189/08	Fixing Strip Screw (PK Type A No. $6 \times \frac{3}{8}$ " C'sk. Hd.)	32	
136	51/621058	TRUNK LID HINGE (right hand)	1	
—	51/621057	TRUNK LID HINGE (left hand)	1	
—	51/611378	Trunk Lid Hinge Shim	2	
—	422500/01	Plain Washer ($\frac{1}{4}$ " I.D.)	12	
—	51/617072	Hinge to Lid Screw ($\frac{5}{16}$ " U.F. \times 1", cone pointed)	4	
—	422500/02	Plain Washer ($\frac{5}{16}$ " I.D.)	4	
—	51/617068	Hinge to Body Screw ($\frac{1}{4}$ " U.F. \times $\frac{5}{8}$ ", cone pointed)	8	
—	51/617069	Hinge to Body Screw ($\frac{1}{4}$ " U.F. \times $\frac{5}{8}$ ")	4	
137	51/641096	TRUNK LID LOCK ASSEMBLY	1	
—	422544/09	Lock Bolt (ANF No. $10 \times \frac{5}{8}$ ")	4	
—	423199/2	Plain Washer (ANF No. 10)	4	
—	422508/09	Shakeproof Washer ($\frac{3}{16}$ " int.)	4	
138	51/631095	Trunk Lid Lock Remote Control	1	
139	51/631406	Remote Control Cover Plate	1	
140	51/621050	Trunk Lid Lock Striker	1	
—	51/617074	Striker Screw (ANF No. $10 \times \frac{3}{8}$ " C'sk. Rec. Hd.)	4	
141	51/637118	Trunk Lid Lock Rubber Buffer	1	
142	51/646187	TRUNK LID LOCKING HANDLE ASSEMBLY	1	
143	51/636194	Escutcheon Seating Washer	1	
—	51/637096	Locking Handle Screw (2 B.A. \times $\frac{5}{8}$ " C'sk. Hd.)	2	} State Serial No. when ordering
—	424927	Locking Handle Key (L1921D)	1	
—	51/632122	Trunk Lid Sealing Rubber (13' 9" long)	1	
—	51/632151	Sealing Rubber Fixing Strip (top)	1	
—	51/632155	Sealing Rubber Fixing Strip (bottom)	1	
—	51/632152	Sealing Rubber Fixing Strip (side, upper)	2	
—	51/632153	Sealing Rubber Fixing Strip (side, centre)	2	
—	51/632154	Sealing Rubber Fixing Strip (side, lower)	2	
—	423188/08	Fixing Strip Screw (PK Type A No. $6 \times \frac{3}{8}$ " Rd. Hd.)	60	
144	51/632167	Spare Wheel Clamp	1	
145	51/642165	Spare Wheel Clamp Bolt	1	
—	51/637045	Plain Washer ($\frac{1}{2}$ " I.D. \times 1" O.D.)	1	

BODY DETAILS

Illus. Ref. No.	Part Number	DESCRIPTION OF PART	No. per set	REMARKS
146	133865	Container and Clip Assembly (for lifting jack, oil and grease guns)	1	
—	422545/12	Container Bolt (ANF No. 10× $\frac{3}{8}$ " Rd. Hd.)	8	
—	423194/04	Tee Nut (ANF No. 10)	8	
147	424798	Spring Clip (jack retaining)	1	
—	422545/12	Spring Clip Bolt (ANF No. 10× $\frac{3}{8}$ " Rd. Hd.)	4	
148	51/647036	Trim Pad Spring Clip	A.R.	
149	51/647032	Trim Pad Spring Clip	A.R.	
150	51/647006	Trim Pad Spring Clip	A.R.	
—	423180/01	Clinch-on Nut (ANF No. 10) (panel thickness to .050")	A.R.	
—	423180/02	Clinch-on Nut (ANF No. 10) (panel thickness .060" to .090")	A.R.	
—	423180/04	Clinch-on Nut ($\frac{1}{4}$ " U.F.)	A.R.	
—	423180/07	Clinch-on Nut ($\frac{5}{16}$ " U.F.) (panel thickness to .050")	A.R.	
—	423180/08	Clinch-on Nut ($\frac{5}{16}$ " U.F.) (panel thickness .060" to .090")	A.R.	
—	423180/10	Clinch-on Nut ($\frac{3}{8}$ " U.F.)	A.R.	
—	423184/02	Anchor Nut Assembly ($\frac{5}{16}$ " U.F.)	A.R.	
—	51/617064	Square Nut (ANF No. 10)	A.R.	
—	51/617024	Nut Retainer (ANF No. 10)	A.R.	
—	51/617018	Square Nut ($\frac{1}{4}$ " U.F.)	A.R.	
—	51/617023	Nut Retainer (square) ($\frac{1}{4}$ " U.F.)	A.R.	
—	51/617019	Nut Retainer ($\frac{1}{4}$ " U.F.) (with tabs on short side)	A.R.	
—	423182/02	Square Nut ($\frac{5}{16}$ " U.F.)	A.R.	
—	423183/01	Nut Retainer ($\frac{5}{16}$ " U.F.) (with tabs on short side)	A.R.	
—	423185/01	Nut Retainer ($\frac{5}{16}$ " U.F.) (with tabs on long side)	A.R.	

BODY DETAILS



DANSK VETERANBIL KLUB