

Two-star thrift SPECIFICATION



Plated GVW

6 cwt HAE	1120 kg 1.10 tons
10 cwt HAV	1320 kg 1.30 tons

Wheelbase

6 cwt HAE	91.5 in. 2324 mm
10 cwt HAV	91.5 in. 2324 mm

Plated axles

6 cwt HAE	Front: 500 kg 0.49 tons
	Rear: 710 kg 0.70 tons

(Plated axles continued)

10 cwt HAV	Front: 500 kg 0.49 tons
	Rear: 890 kg 0.88 tons

Engine

1256 cc 4 cylinder petrol	
net installed bhp:	
6 cwt HAE	39 at 4600 rpm
10 cwt HAV	48.8 @ 5100 rpm
net installed torque:	
6 cwt HAE	57.6 lb ft @ 2500 rpm
10 cwt HAV	61.5 lb ft @ 2600 rpm

Gearbox

4 speed all synchromesh and reverse

Ratios:

3.46; 2.213; 1.404; 1.00; 3.707:1 (reverse)

Cooling

Pressurised with pump, fan and thermostat

Fuel System

Mechanical pump.
Tank capacity 7 galls (33 litres)

Brakes Service

Hydraulic 8 in. dia drums

Brakes Parking

Mechanical operating on rear wheels
Central floor-mounted lever

Tyres

6 cwt HAE	5.50 x 12 PR
10 cwt HAV	155 SR x 12 reinforced radial

Wheels

6 cwt HAE	3.50 B x 12
10 cwt HAV	4.00 x 12

Suspension

Independent transverse leaf at front.
Hypoid axle with semi-elliptic springs at rear. Anti-roll bar fitted to front axle on 10 cwt

Steering

Rack and pinion. Turning circle
30 ft (9.14m) Ratio 16:1

WEIGHTS

GVW

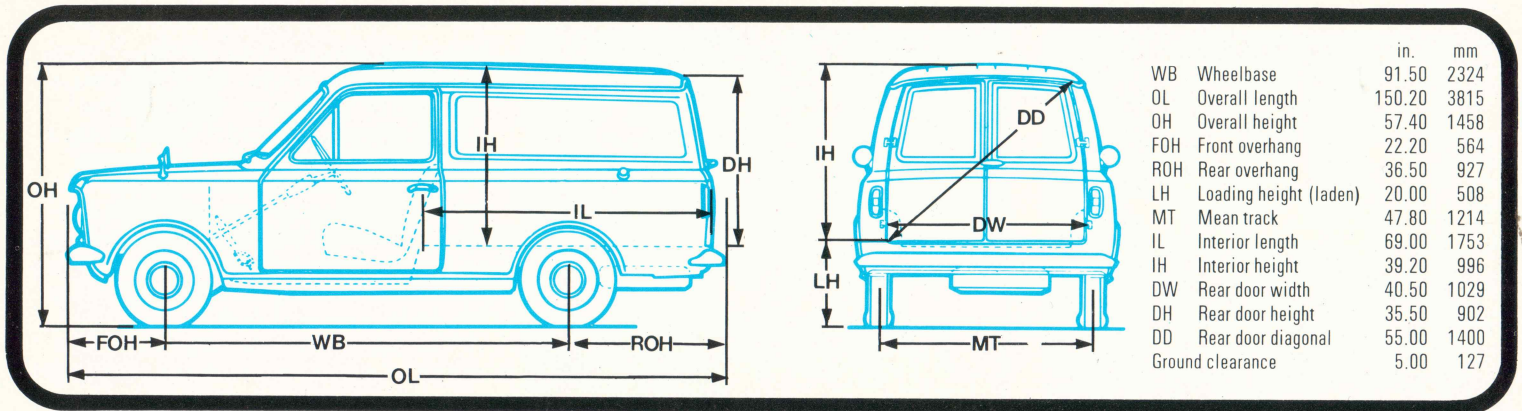
6 cwt HAE	1120 kg (1.10 tons)
10 cwt HAV	1320 kg (1.30 tons)

Kerb weight

6 cwt HAE	740 kg (0.73 tons)
10 cwt HAV	752 kg (0.74 tons)

Payload capacity

6 cwt HAE	380 kg (0.37 tons)
10 cwt HAV	568 kg (0.56 tons)



Published by Vauxhall Motors Limited, Luton, England

The right is reserved to alter any detail of price, specification or equipment without notice. Vehicles shown are not necessarily in standard condition. Nominal payloads are for identification only. The load capacity of a particular vehicle will depend upon specification, equipment and bodywork etc. Dimensions are approximate, based upon a production vehicle.

B1578/9/73 Printed in England.

Imprime en Angleterre.

